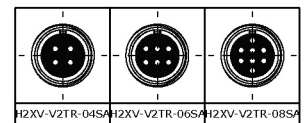


Specifications:

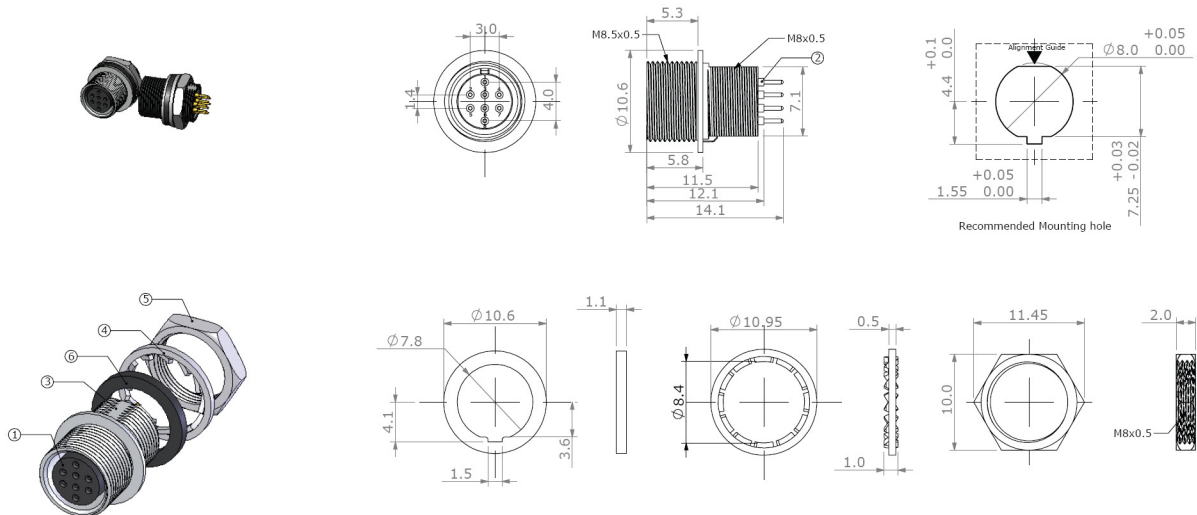
No. of Contacts	4, 6, 8
Withstanding Voltage	AC 300V for a minute
Current Rating	1A
Insulation Resistance	MIN. 1000Mohm
Contact Resistance	MAX. 30mohm



- Note 1. The contact arrangement shown here is the front view of the connector
 2. For regular used the voltage should be less than 30V AC or 42V DC.
 3. The insulation resistance value is measured at DC100V.



Mechanical drawing:



6	TR O-Ring	EPDM	Black	1
5	Screw Nut	Brass	Nickel Ptd.	1
4	Washer	Brass	Nickel Ptd.	1
3	7TR Shell	Zn Alloy	Nickel Ptd.	1
2	SD Terminals	Brass	Gold Flash	8
1	8S Housing	PA46	Black	1
No.	Description	Material	Treat	Q'ty

俞昌有限公司 YEU TSANG CO. LTD.		品名: ITEM :	8P H2XV V2TR RECEPTACLE FEMALE DIP TYPE		Tolerance: .X +/-0.25 .XX +/-0.10	SHEET: 1 1	單位: unit:	mm	日期: date:	'12/05/15	繪圖: drwn by:	DanielShyr
料號: PART NO.	H2XV-V2TR-08SA	圖號: DRW NO.					比例: scale:	2:1	版本: version:	V. 1.0	核准: aprvid by:	SkyShyr

COPYRIGHT BY YEU TSANG

Initial	Date
---------	------

tolerance X: ±0.5 mm .X: ±0.25 mm .XX: ±0.10 mm
 applicable unless otherwise indicated in specification or on drawings