



# License

*The MoonMath Manual is licensed under the Creative Commons Attribution-NonCommercial-NoDerivatives 4.0 International Public License. A copy of this license can be found on page 222.*

*If you like to contribute to the MoonMath Manual, please carefully read our **Sideletter for Contributions to the MoonMath Manual to zk-SNARKs**, which can be found on page 227. This Sideletter sets forth our terms for participation in the MoonMath Manual.*

# Preface

After more than a decade of intense and fast-paced research on zk-SNARKs by mathematicians and cryptographers around the globe, the field is now racing towards full maturity, and I believe that we can see first saturation effects to appear at the horizon. I hope this book will equip the reader with most of the basic knowledge needed to implement secure applications, and to tackle the vast literature in this remarkable field of research.

The book arose from a set of lectures and notes I gave at the Zero Knowledge Summit – ZK0x02 & ZK0x03 in Berlin. On the one hand side it originated from the desire to collect the scattered information around the topic of zk-SNARKS and present them to an audience that does not have a strong background in cryptography. On the other hand side it serves as a lab-book to collect and present insights into common misunderstandings, that the Least Authority audit team gathered throughout their audits of various zk-SNARK implementations. It should be considered a constant work-in-progress as we try to update it whenever we think new zk-SNARK technology becomes relevant in real world applications.

The book is intended to let illustrative examples drive the discussion and present the key ideas of all basic concepts relevant to the understanding of zk-SNARKS with as little mathematics as possible. For those who are new to this topic, it is my hope that the book might be particularly useful as a first read and prelude to more complete or advanced expositions.

– Mirco Richter –

# Contents

<b>Preface</b>	<b>iii</b>
<b>1 Introduction</b>	<b>1</b>
1.1 Target audience . . . . .	2
1.2 About the book . . . . .	2
1.3 Reading this Book . . . . .	3
1.4 Contributions . . . . .	4
<b>2 Software Used in This Book</b>	<b>5</b>
2.1 Sagemath . . . . .	5
2.2 Circom . . . . .	5
<b>3 Arithmetics</b>	<b>6</b>
3.1 Introduction . . . . .	6
3.2 Integer arithmetic . . . . .	6
3.2.1 Integers, natural numbers and rational numbers . . . . .	6
3.2.2 Euclidean Division . . . . .	9
3.2.3 The Extended Euclidean Algorithm . . . . .	12
3.2.4 Coprime Integers . . . . .	13
3.2.5 Integer Representations . . . . .	13
3.3 Modular arithmetic . . . . .	15
3.3.1 Congruence . . . . .	15
3.3.2 Computational Rules . . . . .	16
3.3.3 The Chinese Remainder Theorem . . . . .	19
3.3.4 Remainder Class Representation . . . . .	20
3.3.5 Modular Inverses . . . . .	22
3.4 Polynomial arithmetic . . . . .	26
3.4.1 Polynomial arithmetic . . . . .	29
3.4.2 Euclidean Division with polynomials . . . . .	31
3.4.3 Prime Factors . . . . .	33
3.4.4 Lagrange Interpolation . . . . .	34
<b>4 Algebra</b>	<b>37</b>
4.1 Commutative Groups . . . . .	37
4.1.1 Finite groups . . . . .	39
4.1.2 Generators . . . . .	39
4.1.3 The exponential map . . . . .	40
4.1.4 Factor Groups . . . . .	42
4.1.5 Pairings . . . . .	43

4.1.6	Cryptographic Groups . . . . .	44
4.1.6.1	The Discrete Logarithm Problem . . . . .	45
4.1.6.2	The decisional Diffie–Hellman assumption . . . . .	45
4.1.6.3	The Computational Diffie–Hellman Assumption . . . . .	46
4.1.7	Hashing to Groups . . . . .	47
4.1.7.1	Hash functions . . . . .	47
4.1.7.2	Hashing to cyclic groups . . . . .	49
4.1.7.3	Pedersen Hashes . . . . .	50
4.1.7.4	Pseudorandom Function Families in DDH-secure groups . . . . .	51
4.2	Commutative Rings . . . . .	52
4.2.1	Hashing into Modular Arithmetic . . . . .	55
4.2.1.1	The “try-and-increment” method . . . . .	58
4.3	Fields . . . . .	59
4.3.1	Prime fields . . . . .	60
4.3.2	Square Roots . . . . .	62
4.3.2.1	Hashing into prime fields . . . . .	64
4.3.3	Prime Field Extensions . . . . .	64
4.4	Projective Planes . . . . .	68
<b>5</b>	<b>Elliptic Curves</b> . . . . .	<b>71</b>
5.1	Short Weierstrass Curves . . . . .	71
5.1.1	Affine Short Weierstrass form . . . . .	72
5.1.1.1	Isomorphic affine Short Weierstrass curves . . . . .	77
5.1.1.2	Affine compressed representation . . . . .	78
5.1.2	Affine Group Law . . . . .	78
5.1.2.1	Scalar multiplication . . . . .	82
5.1.2.2	Logarithmic Ordering . . . . .	83
5.1.3	Projective Short Weierstrass form . . . . .	86
5.1.3.1	Projective Group law . . . . .	87
5.1.3.2	Coordinate Transformations . . . . .	88
5.2	Montgomery Curves . . . . .	90
5.2.1	Affine Montgomery coordinate transformation . . . . .	92
5.2.2	Montgomery group law . . . . .	94
5.3	Twisted Edwards Curves . . . . .	95
5.3.1	Twisted Edwards group law . . . . .	97
5.4	Elliptic Curve Pairings . . . . .	98
5.4.1	Embedding Degrees . . . . .	98
5.4.1.1	Elliptic Curves over extension fields . . . . .	101
5.4.2	Full torsion groups . . . . .	102
5.4.3	Pairing groups . . . . .	104
5.4.4	The Weil pairing . . . . .	107
5.5	Hashing to Curves . . . . .	108
5.5.1	Try-and-increment hash functions . . . . .	109
5.6	Constructing elliptic curves . . . . .	111
5.6.1	The Trace of Frobenius . . . . .	112
5.6.2	The $j$ -invariant . . . . .	113
5.6.3	The Complex Multiplication Method . . . . .	114
5.6.4	The <i>BLS6_6</i> pen-and-paper curve . . . . .	123

5.6.4.1	The Construction	124
5.6.4.2	The large prime order subgroup	127
5.6.4.3	Pairing groups	128
5.6.4.4	The Weil pairing	130
<b>6</b>	<b>Statements</b>	<b>132</b>
6.1	Formal Languages	132
6.1.1	Decision Functions	133
6.1.2	Instance and Witness	136
6.1.3	Modularity	139
6.2	Statement Representations	139
6.2.1	Rank-1 Quadratic Constraint Systems	139
6.2.1.1	R1CS representation	140
6.2.1.2	R1CS Satisfiability	143
6.2.1.3	Modularity	144
6.2.2	Algebraic Circuits	144
6.2.2.1	Algebraic circuit representation	145
6.2.2.2	Circuit Execution	150
6.2.2.3	Circuit Satisfiability	151
6.2.2.4	Associated Constraint Systems	152
6.2.3	Quadratic Arithmetic Programs	158
6.2.3.1	QAP representation	158
6.2.3.2	QAP Satisfiability	161
<b>7</b>	<b>Circuit Compilers</b>	<b>164</b>
7.1	A Pen-and-Paper Language	165
7.1.1	The Grammar	165
7.1.2	The Execution Phases	166
7.1.2.0.1	The Setup Phase	167
7.1.2.0.2	The Prover Phase	168
7.2	Real World Circuit Languages	168
7.2.1	Circom	169
7.3	Common Programming concepts	171
7.3.1	Primitive Types	171
7.3.1.1	The base-field type	171
7.3.1.1.1	The Subtraction Constraint System	175
7.3.1.1.2	The Inversion Constraint System	175
7.3.1.1.3	The Division Constraint System	176
7.3.1.2	The boolean Type	178
7.3.1.2.1	The boolean Constraint System	178
7.3.1.2.2	The AND operator constraint system	179
7.3.1.2.3	The OR operator constraint system	179
7.3.1.2.4	The NOT operator constraint system	180
7.3.1.2.5	Modularity	181
7.3.1.3	Arrays	184
7.3.1.4	The Unsigned Integer Type	185
7.3.1.4.1	The uN Constraint System	185
7.3.1.4.2	The Unsigned Integer Operators	186

---

7.3.2	Control Flow . . . . .	187
7.3.2.1	The Conditional Assignment . . . . .	187
7.3.2.2	Loops . . . . .	190
7.3.3	Binary Field Representations . . . . .	191
7.3.4	Cryptographic Primitives . . . . .	192
7.3.4.1	Twisted Edwards curves . . . . .	192
7.3.4.1.1	Twisted Edwards curve constraints . . . . .	192
7.3.4.1.2	Twisted Edwards curve addition . . . . .	193
<b>8</b>	<b>Zero Knowledge Protocols</b>	<b>195</b>
8.1	Proof Systems . . . . .	195
8.2	The “Groth16” Protocol . . . . .	197
8.2.1	The Setup Phase . . . . .	198
8.2.2	The Prover Phase . . . . .	205
8.2.3	The Verification Phase . . . . .	210
8.2.4	Proof Simulation . . . . .	213
	<b>Index</b>	<b>216</b>
	<b>Bibliography</b>	<b>220</b>
	<b>License &amp; Sideletter</b>	<b>222</b>

# Chapter 1

## Introduction

In the field of cryptography, *zero-knowledge proofs* or *zero-knowledge protocols* are a class of protocols that enable a party, known as the prover, to demonstrate the truth of a statement to other parties, referred to as verifiers, without revealing any information beyond the statement's veracity. This book is intended to provide a comprehensive introduction to the mathematical foundations and implementations of these proof systems, aimed at individuals with limited prior exposure to this area of research.

Of particular significance in this context are *zero-knowledge succinct, non-interactive arguments of knowledge* (zk-SNARKs), which possess the advantage of being much smaller in size than the original data required to establish the truth of a statement, and verifiers can be conveyed through a single message from the prover.

From a practical standpoint, zk-SNARKs are intriguing because they allow for the honest computation of data to be proven publicly without disclosing the inputs to the computation, through the transmission of a concise transaction to a verifier embodied as a smart contract on a public blockchain. This facilitates the public verification of computation, improves the scalability of blockchain technology, and enhances the privacy of transactions.

Based on this interconnection between blockchains and zk-SNARKs, growing interest in blockchain technology has elevated the need for a more nuanced and complete understanding of zero-knowledge protocols, their real-world applications and implementations, and the development of standards in this field. This is crucial for ensuring that developers can produce secure and high-quality code

However, the intricacies of zero-knowledge proofs are complicated and require an in-depth comprehension of several mathematical and computer-theoretical disciplines, as well as familiarity with alternative computational models and programming paradigms. Unfortunately resources are often scattered across blog posts, github libraries and mathematical papers and as a result zk-SNARKs remain somewhat elusive or "magical" and are therefore sometimes coined as "moon math". This poses a barrier to entry and deters developers from exploring or incorporating them in their projects, hindering the widespread adoption of this technology and societies evolution towards web3.

The 'MoonMath Manual to zk-SNARKs' aims to change this, designed specifically for individuals with limited prior exposure to cryptography. The manual aims to bridge knowledge gaps by providing a hands-on, practical approach to explaining abstract concepts using simple pen-and-paper calculations. As readers work through the manual, they will gain an understanding of the mathematics underlying zk-SNARKs, which will provide them with the necessary foundation for further exploration.



## 1.1 Target audience

The primary focus of this book are software and smart contract developers who aim to acquire a thorough understanding of the workings of zk-SNARKs, in order to be able to develop high quality, high security code, or who want to close some knowledge gaps. The book is suitable for both novice and experienced readers, as concepts are gradually introduced in a structured and logical manner, ensuring that the information is easily comprehensible.

While the book is accessible to a wide range of readers, it is expected that the reader has a basic knowledge of programming and an interest in logical thinking and strategic problem solving. An enthusiasm for the subject matter is also necessary, as the details of zero-knowledge proofs can be complex.

## 1.2 About the book

How much mathematics do you need to understand and implement zero-knowledge proofs? Of course, the answer is contingent upon the desired level of comprehension and the security demands of the application. It is possible to implement zero-knowledge proofs without any understanding of the underlying mathematics; however, to read a seminal paper, to grasp the intricacies of a proof system, or to develop secure and high-quality zk-SNARKs, some mathematical knowledge is indispensable.

Without a solid grounding in mathematics, someone who is interested in learning the concepts of zero-knowledge proofs, but who has never seen or dealt with, say, a prime field, or an elliptic curve, may quickly become overwhelmed. This is not so much due to the complexity of the mathematics needed, but rather because of the vast amount of technical jargon, unknown terms, and obscure symbols that quickly makes a text unreadable, even though the concepts themselves are not actually that complicated. As a result, the reader might either lose interest, or pick up some incoherent bits and pieces of knowledge that, in the worst case scenario, result in immature and non-secure implementations.

Significant portions of this book are dedicated to providing a comprehensive explanation of the mathematical foundations necessary for comprehending the fundamental concepts underlying zk-SNARK development. For readers who lack familiarity with basic number theory and elliptic curves, we strongly encourage dedicated study of the relevant chapters until they are able to solve a minimum of several exercises in each chapter. A deliberate focus on working through examples in detail is encouraged.

The book starts at a very basic level, and only assume preexisting knowledge of fundamental concepts like high school integer arithmetic. It then progresses to demonstrate that there are numbers and mathematical structures that, although initially appearing very different from what was learned in high school, are actually analogous at a deeper level. This is exemplified through a variety of examples throughout the book.

It is important to emphasize that the mathematics presented in this book is informal, incomplete, and optimized to facilitate efficient comprehension of zero-knowledge concepts. The design choice is to include only the minimum required theory, prioritizing a profusion of numerical examples. We believe that this informal, example-driven approach facilitates easier digestion of the material for beginners.

As a novice, it is suggested that one first computes a simple toy zk-SNARK using pen and paper, before venturing into the development of high-security real-world zk-SNARKs. However, to derive these toy examples, some mathematical preparation is necessary. This book therefore aims to guide the inexperienced reader towards the essential mathematical concepts,

providing exercises that are intended to be worked through independently. Each section includes a list of progressively challenging exercises to aid in memorization and application of the concepts.

## 1.3 Reading this Book

The MoonMath Manual is intended to provide a comprehensive introduction to topics relevant to beginners in mathematics and cryptography. As such, there are multiple ways to read the book. The most straightforward approach is to follow the chapters in a linear order. This method is recommended for readers who have limited prior knowledge of mathematics and cryptography. The book begins with fundamental concepts such as natural numbers, prime numbers, and operations on these sets in various arithmetics. Subsequently, the book progresses to cover algebraic structures, including groups, rings, prime fields, and elliptic curves.

Throughout the book, examples are introduced and gradually expanded upon with the incorporation of new knowledge from subsequent chapters. This incremental approach allows for the development of simple, yet full-fledged cryptographic systems that can be computed by hand, in order to provide a detailed illustration of each step.

For readers interested in understanding elliptic curves as they pertain to zero-knowledge proving systems, a starting point could be the introduction to the  $BLS6_6$  curve in section 5.6.4. The  $BLS6_6$  curve was specifically designed for the purpose of hand calculations, as the size of cryptographic elliptic curves often prohibits this type of computation. It is a pairing-friendly curve with all necessary properties to perform pairing-based computations without the aid of a computer, which can help to clarify the intricacies of the system. Additionally, the book includes a derivation of the Tiny-jubjub curve 5.36, which can be used for EdDSA calculations in circuits over  $BLS6_6$ .

Readers interested in building a simple, pen-and-paper zk-SNARK from scratch may want to start with the examples related to the 3-factorization problem. In example 115, we introduce the 3-factorization problem as a statement in a formal language. If this is too abstract, the reader might start in example 124, where we describe the 3-factorization problem as an algebraic circuit. In example 126 we execute the circuit. In example 118, we introduce the concept of instance and witness into the problem in order to achieve various levels of zero knowledge later on. In example 120 we transform the circuit into an associated Rank-1 Constraint System and in example 122 we compute a constructive proof for the problem. In example 131 we transform that constraint system into a Quadratic Arithmetic Program in and show how constructive proofs are transformed into polynomial divisibility problems. In example 147, we use the result of those examples to derive a Groth16 zk-SNARK for the 3-factorization problem. In 8.3, we compute the prover and the verifier key. In example 151, we compute a zk-SNARK and in example 153, we verify that zk-SNARK. In example, 155 we show how to simulate proofs.

Readers desiring to implement a zk-SNARK in a practical programming language should begin with our Circom implementation of the 3-factorization problem, as described in 137. The derivation of the corresponding Groth\_16 parameter set is outlined in 148, and the calculation of the associated Common Reference String is addressed in 150. In 152, we demonstrate the generation of a proof for randomly selected input values, which is then verified in 154. This illustration may serve as a starting point for a more in-depth understanding of the underlying mechanisms.

Individuals seeking to enhance their comprehension of the process by which high-level programs are compiled into representations that are amenable to analysis by zero-knowledge proof systems may benefit from a review of Chapter 7, in which we develop a toy language equipped

with a "brain-compiler" that converts high-level code into graphical circuit representations. The crucial representations, such as the RICS, are detailed in Section 6.2.1, and the fundamental principles of constructive proofs, witnesses, and instances are elucidated in 6.1.

## 1.4 Contributions

Due to the significance and rapid advancement of the field of zero knowledge proofing systems, providing comprehensive coverage of relevant topics within the moonmath manual represents a substantial challenge. Hence, the community's contributions are greatly appreciated.

If you would like to contribute to the development of the moonmath manual, we encourage you to submit your adapted material or original content to Least Authority. For those interested in making substantial contributions to the moonmath manual, we suggest reaching out directly to Least Authority at [mmm@leastauthority.com](mailto:mmm@leastauthority.com). For further information, please refer to our license.

# Chapter 2

## Software Used in This Book

### 2.1 Sagemath

SageMath, also known as Sage, is a free and open-source software system that provides a comprehensive collection of mathematical tools and features. It offers a unified interface to various mathematical libraries and tools, including finite field arithmetic, elliptic curves, and cryptographic primitives, among others. With SageMath, users have access to a powerful and efficient platform for performing computations, analyzing data, and visualizing results in a wide range of mathematical domains. In order to provide an interactive learning experience, and to allow getting hands-on with the concepts described in this book, we give examples for how to program them in Sage. Sage is based on the learning-friendly programming language Python, extended and optimized for computations involving algebraic objects. Therefore, we recommend installing Sage before diving into the following chapters.

The installation steps for various system configurations are described on the Sage website. Note that we use Sage version 9, so if you are using Linux and your package manager only contains version 8, you may need to choose a different installation path, such as using prebuilt binaries. If you are not familiar with SageMath, we recommend you consult the Sage Tutorial.

### 2.2 Circom

Circom is a programming language and compiler for designing arithmetic circuits. It provides a platform for programmers to create their own circuits, which can then be compiled to Rank-1 Constraint Systems (R1CS) and outputted as WebAssembly and C++ programs for efficient evaluation. The open-source library, CIRCOMLIB, offers a collection of pre-existing circuit templates that can be utilized by Circom users.

In order to compile our pen-and-paper calculations into real-world zk-SNARKs, we provide examples for how to implement them using Circom. Therefore, it is recommended to install Circom before exploring the following chapters. To generate and verify zk-SNARKS for our Circom circuits, we utilize the SNARK.js library, which is a JavaScript and Pure Web Assembly implementation of ZK-SNARK schemes. It employs the Groth16 Protocol and PLONK. The installation steps can be found at the Circom installation page [Circom installation](#).

# Chapter 3

## Arithmetics

### 3.1 Introduction

The goal of this chapter is to bring a reader with only basic school-level algebra up to speed in arithmetic. We start with a brief recapitulation of basic integer arithmetics, discussing long division, the greatest common divisor and Euclidean Division. After that, we introduce modular arithmetic as **the most important** skill to compute our pen-and-paper examples. We then introduce polynomials, compute their analogs to integer arithmetics and introduce the important concept of Lagrange Interpolation.

### 3.2 Integer arithmetic

In a sense, integer arithmetic is at the heart of large parts of modern cryptography. Fortunately, most readers will probably remember integer arithmetic from school. It is, however, important that you can confidently apply those concepts to understand and execute computations in the many pen-and-paper examples that form an integral part of the MoonMath Manual. We will therefore recapitulate basic arithmetic concepts to refresh your memory and fill any knowledge gaps.

Even though the terms and concepts in this chapter might not appear in the literature on zero-knowledge proofs directly, understanding them is necessary to follow subsequent chapters and beyond: terms like **groups** or **fields** also crop up very frequently in academic papers on zero-knowledge cryptography.

Many of the ideas presented in this chapter are taught in basic mathematical education in most schools around the globe. Much of the ideas presented in this section can be found in Wu [2011]. An approach more oriented towards computer science can be found in Mignotte [1992].

#### 3.2.1 Integers, natural numbers and rational numbers

Integers are also known as **whole numbers**, that is, numbers that can be written without fractional parts. Examples of numbers that are **not** integers are  $\frac{2}{3}$ , 1.2 and  $-1280.006$ .<sup>1</sup>

Throughout this book, we use the symbol  $\mathbb{Z}$  as a shorthand for the set of all **integers**:

$$\mathbb{Z} := \{\dots, -3, -2, -1, 0, 1, 2, 3, \dots\} \quad (3.1)$$

---

<sup>1</sup>Whole numbers, along with their basic laws of operations, are introduced for example in chapters 1 – 6 of Wu [2011].

If  $a \in \mathbb{Z}$  is an integer, then we write  $|a|$  for the **absolute value** of  $a$ , that is, the non-negative value of  $a$  without regard to its sign:

$$|4| = 4 \quad (3.2)$$

$$|-4| = 4 \quad (3.3)$$

We use the symbol  $\mathbb{N}$  for the set of all positive integers, usually called the set of **natural numbers**. Furthermore, we use  $\mathbb{N}_0$  for the set of all non-negative integers. This means that  $\mathbb{N}$  does not contain the number 0, while  $\mathbb{N}_0$  does:

$$\mathbb{N} := \{1, 2, 3, \dots\}$$

$$\mathbb{N}_0 := \{0, 1, 2, 3, \dots\}$$

In addition, we use the symbol  $\mathbb{Q}$  for the set of all **rational numbers**, which can be represented as the set of all fractions  $\frac{n}{m}$ , where  $n \in \mathbb{Z}$  is an integer and  $m \in \mathbb{N}$  is a natural number, such that there is no other fraction  $\frac{n'}{m'}$  and natural number  $k \in \mathbb{N}$  with  $k \neq 1$  and the following equation:<sup>2</sup>

$$\frac{n}{m} = \frac{k \cdot n'}{k \cdot m'} \quad (3.4)$$

The sets  $\mathbb{N}$ ,  $\mathbb{Z}$  and  $\mathbb{Q}$  have a notion of addition and multiplication defined on them. Most of us are probably able to do many integer computations in our head, but this gets more and more difficult as these increase in complexity. We will frequently use the SageMath system (2.1) for more complicated computations (we define rings and fields later in this book):

```

sage: ZZ # Sage notation for the set of integers           1
Integer Ring                                             2
sage: NN # Sage notation for the set of natural numbers  3
Non negative integer semiring                           4
sage: QQ # Sage notation for the set of rational numbers 5
Rational Field                                          6
sage: ZZ(5) # Get an element from the set of integers    7
5                                                         8
sage: ZZ(5) + ZZ(3)                                     9
8                                                        10
sage: ZZ(5) * NN(3)                                    11
15                                                       12
sage: ZZ.random_element(10**6)                          13
267661                                                  14

```

A set of numbers of particular interest to us is the set of **prime numbers**. A prime number is a natural number  $p \in \mathbb{N}$  with  $p \geq 2$  that is only divisible by itself and by 1. All prime numbers apart from the number 2 are called **odd** prime numbers. We use  $\mathbb{P}$  for the set of all prime numbers and  $\mathbb{P}_{\geq 3}$  for the set of all odd prime numbers.<sup>3</sup>

<sup>2</sup>A more in-depth introduction to rational numbers, their representation as well as their arithmetic operations can be found in part 2. of Wu [2011] and in chapter 1, section 2 of Mignotte [1992].

<sup>3</sup>As prime numbers are of central importance to our topic, the interested reader might benefit from consulting the wide range of books available on the topic of number theory. An introduction is given for example in chapter 1 and 2 of Hardy et al. [2008]. An elementary school level introduction can be found in chapter 33 of Wu [2011]. Chapter 34 of Wu [2011] gives an introduction to the fundamental theorem of arithmetic (3.6). Fine and Rosenberger [2016] could be of particular interest to more advanced readers.

The set of prime numbers  $\mathbb{P}$  is an infinite set, and it can be ordered according to size. This means that, for any prime number  $p \in \mathbb{P}$ , one can always find another prime number  $p' \in \mathbb{P}$  with  $p < p'$ . As a result, there is no largest prime number. Since prime numbers can be ordered by size, we can write them as follows:

$$2, 3, 5, 7, 11, 13, 17, 19, 23, 29, 31, 37, 41, 43, 47, 53, 59, 61, 67, \dots \quad (3.5)$$

As the **fundamental theorem of arithmetic** tells us, prime numbers are, in a certain sense, the basic building blocks from which all other natural numbers are composed: every natural number can be derived by multiplying prime numbers with each other. To see that, let  $n \in \mathbb{N}$  be any natural number with  $n > 1$ . Then there are always prime numbers  $p_1, p_2, \dots, p_k \in \mathbb{P}$ , such that the following equation holds:

$$n = p_1 \cdot p_2 \cdot \dots \cdot p_k \quad (3.6)$$

This representation is unique for each natural number (except for the order of the **factors**  $p_1, p_2, \dots, p_k$ ) and is called the **prime factorization** of  $n$ .

*Example 1* (Prime Factorization). To see what we mean by the prime factorization of a number, let's look at the number  $504 \in \mathbb{N}$ . To get its prime factors, we can successively divide it by all prime numbers in ascending order starting with 2:

$$504 = 2 \cdot 2 \cdot 2 \cdot 3 \cdot 3 \cdot 7$$

We can double-check our findings by invoking Sage, which provides an algorithm for factoring natural numbers:

```
sage: n = NN(504) 15
sage: factor(n) 16
2^3 * 3^2 * 7 17
```

The computation from the previous example reveals an important observation: computing the factorization of an integer is computationally expensive, because we have to divide repeatedly by all prime numbers smaller than the number itself until all factors are prime numbers themselves. From this, an important question arises: how fast can we compute the prime factorization of a natural number? This question is the famous **integer factorization problem** and, as far as we know, there is currently no known method that can factor integers much faster than the naive approach of just dividing the given number by all prime numbers in ascending order.

On the other hand, computing the product of a given set of prime numbers is fast: you just multiply all factors. This simple observation implies that the two processes, “prime number multiplication” on the one side and its inverse process “natural number factorization” have very different computational costs. The factorization problem is therefore an example of a so-called **one-way function**: an invertible function that is easy to compute in one direction, but hard to compute in the other direction .<sup>4</sup>

<sup>4</sup>It should be noted that what is “easy” and “hard” to compute depends on the computational power available to us. Currently available computers cannot easily compute the prime factorization of natural numbers (in formal terms, they cannot compute it in polynomial time). However, the American mathematician Peter W. Shor developed an algorithm in 1994 which can calculate the prime factorization of a natural number in polynomial time on a quantum computer. The consequence of this is that cryptosystems, which are based on the prime factor problem being computationally hard on currently available computers, become unsafe as soon as practically usable quantum computers become available.

*Exercise 1.* What is the absolute value of the integers  $-123$ ,  $27$  and  $0$ ?

*Exercise 2.* Compute the factorization of  $30030$  and double-check your results using Sage.

*Exercise 3.* Consider the following equation:

$$4 \cdot x + 21 = 5$$

Compute the set of all solutions for  $x$  under the following alternative assumptions:

1. The equation is defined over the set of natural numbers.
2. The equation is defined over the set of integers.

*Exercise 4.* Consider the following equation:

$$2x^3 - x^2 - 2x = -1.$$

Compute the set of all solutions  $x$  under the following assumptions:

1. The equation is defined over the set of natural numbers.
2. The equation is defined over the set of integers.
3. The equation is defined over the set of rational numbers.

### 3.2.2 Euclidean Division

As we know from high school mathematics, integers can be added, subtracted and multiplied, and the result of these operations is guaranteed to always be an integer as well. On the contrary, division (in the commonly understood sense) is not defined for integers, as, for example,  $7$  divided by  $3$  will not result in an integer. However, it is always possible to divide any two integers if we consider **division with a remainder**. For example,  $7$  divided by  $3$  is equal to  $2$  with a remainder of  $1$ , since  $7 = 2 \cdot 3 + 1$ .

This section introduces division with a remainder for integers, usually called **Euclidean Division**. It is an essential technique underlying many concepts in this book.<sup>5</sup> The precise definition is as follows:

Let  $a \in \mathbb{Z}$  and  $b \in \mathbb{Z}$  be two integers with  $b \neq 0$ . Then there is always another integer  $m \in \mathbb{Z}$  and a non negative integer  $r \in \mathbb{N}_0$ , with  $0 \leq r < |b|$  such that the following holds:

$$a = m \cdot b + r \tag{3.7}$$

This decomposition of  $a$  given  $b$  is called **Euclidean Division**, where  $a$  is called the **dividend**,  $b$  is called the **divisor**,  $m$  is called the **quotient** and  $r$  is called the **remainder**. It can be shown that both the quotient and the remainder always exist and are unique, as long as the divisor is different from  $0$ .

*Notation and Symbols* 1. Suppose that the numbers  $a$ ,  $b$ ,  $m$  and  $r$  satisfy equation (3.7). We can then use the following notation for the quotient and the remainder of the Euclidean Division as follows:

$$a \operatorname{div} b := m, \quad a \operatorname{mod} b := r \tag{3.8}$$

We also say that an integer  $a$  is **divisible** by another integer  $b$  if  $a \operatorname{mod} b = 0$  holds. In this case, we write  $b|a$ , and call the integer  $a \operatorname{div} b$  the **cofactor** of  $b$  in  $a$ .

<sup>5</sup>Euclidean Division is introduced in chapter 1, section 5 of Mignotte [1992] and in chapter 1, section 1.3 of Cohen [2010].



So, in a nutshell, Euclidean Division is the process of dividing one integer by another in a way that produces a quotient and a non-negative remainder, the latter of which is smaller than the absolute value of the divisor.

*Example 2.* Because  $-17 = -5 \cdot 4 + 3$  is the Euclidean Division of  $-17$  by  $4$ , applying Euclidean Division and the notation defined in 3.8 to the dividend  $-17$  and the divisor  $4$ , we get the following:

$$-17 \operatorname{div} 4 = -5, \quad -17 \operatorname{mod} 4 = 3 \quad (3.9)$$

The remainder, by definition, is a non-negative number. In this case,  $4$  does not divide  $-17$ , as the remainder is not zero. The truth value of the expression  $4 \mid -17$  therefore is `FALSE`. On the other hand, the truth value of  $4 \mid 12$  is `TRUE`, since  $4$  divides  $12$ , as  $12 \operatorname{mod} 4 = 0$ . If we use Sage to do the computation for us, we get the following:

```
sage: ZZ(-17) // ZZ(4) # Integer quotient      18
-5                                             19
sage: ZZ(-17) % ZZ(4) # remainder            20
3                                             21
sage: ZZ(4).divides(ZZ(-17)) # self divides other 22
False                                         23
sage: ZZ(4).divides(ZZ(12))                  24
True                                          25
```

*Remark 1.* In 3.8, we defined the notation of  $a \operatorname{div} b$  and  $a \operatorname{mod} b$  in terms of Euclidean Division. It should be noted, however, that many programming languages (like Python and Sage) implement both the operator (`/`) and the operator (`%`) differently. Programmers should be aware of this, as the discrepancy between the mathematical notation and the implementation in programming languages might become the source of subtle bugs in implementations of cryptographic primitives.

To give an example, consider the dividend  $-17$  and the divisor  $-4$ . Note that, in contrast to the previous example 2, we now have a negative divisor. According to our definition we have the following:

$$-17 \operatorname{div} -4 = 5, \quad -17 \operatorname{mod} -4 = 3 \quad (3.10)$$

$-17 = 5 \cdot (-4) + 3$  is the Euclidean Division of  $-17$  by  $-4$  (the remainder is, by definition, a non-negative number). However, using the operators (`/`) and (`%`) in Sage, we get a different result:

```
sage: ZZ(-17) // ZZ(-4) # Integer quotient      26
4                                             27
sage: ZZ(-17) % ZZ(-4) # remainder            28
-1                                           29
sage: ZZ(-17).quo_rem(ZZ(-4)) # not Euclidean Division 30
(4, -1)                                       31
```

Methods to compute Euclidean Division for integers are called **integer division algorithms**. Probably the best-known algorithm is the so-called **long division**, which most of us might have learned in school. An extensive elementary school introduction to long division can be found in chapter 7 of Wu [2011].

In a nutshell, the long division algorithm loops through the digits of the dividend from left to right, subtracting the largest possible multiple of the divisor (at the digit level) at each stage.

The multiples then become the digits of the quotient, and the remainder is the first digit of the dividend.

As long division is the standard method used for pen-and-paper division of multi-digit numbers expressed in decimal notation, we use it throughout this book when we do simple pen-and-paper computations, so readers should become familiar with it. However, instead of defining the algorithm formally, we provide some examples instead, as this will hopefully make the process more clear.

*Example 3 (Integer Long Division).* To give an example of integer long division algorithm, let's divide the integer  $a = 143785$  by the number  $b = 17$ . Our goal is therefore to find solutions to equation 3.7, that is, we need to find the quotient  $m \in \mathbb{Z}$  and the remainder  $r \in \mathbb{N}$  such that  $143785 = m \cdot 17 + r$ . Using a notation that is mostly used in English-speaking countries, we compute as follows:

$$\begin{array}{r} 8457 \\ 17 \overline{) 143785} \\ \underline{136} \\ 77 \\ \underline{68} \\ 98 \\ \underline{85} \\ 135 \\ \underline{119} \\ 16 \end{array} \quad (3.11)$$

We calculated  $m = 8457$  and  $r = 16$ , and, indeed, the equation  $143785 = 8457 \cdot 17 + 16$  holds. We can double-check this by invoking Sage:

```
sage: ZZ(143785).quo_rem(ZZ(17))           32
(8457, 16)                                   33
sage: ZZ(143785) == ZZ(8457)*ZZ(17) + ZZ(16) # check 34
True                                       35
```

*Exercise 5 (Integer Long Division).* Find an  $m \in \mathbb{Z}$  and an  $r \in \mathbb{N}$  with  $0 \leq r < |b|$  such that  $a = m \cdot b + r$  holds for the following pairs:

- $(a, b) = (27, 5)$
- $(a, b) = (27, -5)$
- $(a, b) = (127, 0)$
- $(a, b) = (-1687, 11)$
- $(a, b) = (0, 7)$

In which cases are your solutions unique?

*Exercise 6 (Long Division Algorithm).* Using the programming language of your choice, write an algorithm that computes integer long division and handles all edge cases properly.

*Exercise 7 (Binary Representation).* Write an algorithm that computes the binary representation 3.13 of any non-negative integer.

### 3.2.3 The Extended Euclidean Algorithm

One of the most critical parts of this book is the modular arithmetic, defined in section 3.3, and its application in the computations of **prime fields**, defined in section 4.3.1. To be able to do computations in modular arithmetic, we have to get familiar with the so-called **Extended Euclidean Algorithm**, used to calculate the **greatest common divisor** (GCD) of integers.<sup>6</sup>

The greatest common divisor of two non-zero integers  $a$  and  $b$  is defined as the largest non-zero natural number  $d$  such that  $d$  divides both  $a$  and  $b$ , that is,  $d|a$  as well as  $d|b$  are true. We use the notation  $\gcd(a, b) := d$  for this number. Since the natural number 1 divides any other integer, 1 is always a common divisor of any two non-zero integers, but it is not necessarily the greatest.

A common method for computing the greatest common divisor is the so-called Euclidean Algorithm. However, since we don't need that algorithm in this book, we will introduce the Extended Euclidean Algorithm, which is a method for calculating the greatest common divisor of two natural numbers  $a$  and  $b \in \mathbb{N}$ , as well as two additional integers  $s, t \in \mathbb{Z}$ , such that the following equation holds:

$$\gcd(a, b) = s \cdot a + t \cdot b \quad (3.12)$$

The pseudocode in algorithm 1 shows in detail how to calculate the greatest common divisor and the numbers  $s$  and  $t$  with the Extended Euclidean Algorithm:

---

#### Algorithm 1 Extended Euclidean Algorithm

---

**Require:**  $a, b \in \mathbb{N}$  with  $a \geq b$

**procedure** EXT-EUCLID( $a, b$ )

$r_0 \leftarrow a$  and  $r_1 \leftarrow b$

$s_0 \leftarrow 1$  and  $s_1 \leftarrow 0$

$t_0 \leftarrow 0$  and  $t_1 \leftarrow 1$

$k \leftarrow 2$

**while**  $r_{k-1} \neq 0$  **do**

$q_k \leftarrow r_{k-2} \text{ div } r_{k-1}$

$r_k \leftarrow r_{k-2} \text{ mod } r_{k-1}$

$s_k \leftarrow s_{k-2} - q_k \cdot s_{k-1}$

$t_k \leftarrow t_{k-2} - q_k \cdot t_{k-1}$

$k \leftarrow k + 1$

**end while**

**return**  $\gcd(a, b) \leftarrow r_{k-2}$ ,  $s \leftarrow s_{k-2}$  and  $t \leftarrow t_{k-2}$

**end procedure**

**Ensure:**  $\gcd(a, b) = s \cdot a + t \cdot b$

---

The algorithm is simple enough to be used effectively in pen-and-paper examples. It is commonly written as a table where the rows represent the while-loop and the columns represent the values of the array  $r$ ,  $s$  and  $t$  with index  $k$ . The following example provides a simple execution.

*Example 4.* To illustrate algorithm 1, we apply it to the numbers  $a = 12$  and  $b = 5$ . Since  $12, 5 \in \mathbb{N}$  and  $12 \geq 5$ , all requirements are met, and we compute as follows:

---

<sup>6</sup>A more in-depth introduction to the content of this section can be found in chapter 1, section 1.3 of Cohen [2010] and in chapter 1, section 8 of Mignotte [1992].

k	$r_k$	$s_k$	$t_k$
0	12	1	0
1	5	0	1
2	2	1	-2
3	1	-2	5
4	0		
5	·		

From this we can see that the greatest common divisor of 12 and 5 is  $\gcd(12, 5) = 1$  and that the equation  $1 = (-2) \cdot 12 + 5 \cdot 5$  holds. We can also use Sage to double-check our findings:

```
sage: ZZ(12).xgcd(ZZ(5)) # (gcd(a,b), s, t)           36
      (1, -2, 5)                                       37
```

*Exercise 8* (Extended Euclidean Algorithm). Find integers  $s, t \in \mathbb{Z}$  such that  $\gcd(a, b) = s \cdot a + t \cdot b$  holds for the following pairs:

- $(a, b) = (45, 10)$
- $(a, b) = (13, 11)$
- $(a, b) = (13, 12)$

*Exercise 9* (Towards Prime fields). Let  $n \in \mathbb{N}$  be a natural number and  $p$  a prime number, such that  $n < p$ . What is the greatest common divisor  $\gcd(p, n)$ ?

*Exercise 10*. Find all numbers  $k \in \mathbb{N}$  with  $0 \leq k \leq 100$  such that  $\gcd(100, k) = 5$ .

*Exercise 11*. Show that  $\gcd(n, m) = \gcd(n + m, m)$  for all  $n, m \in \mathbb{N}$ .

### 3.2.4 Coprime Integers

**Coprime integers** are integers that do not share a prime number as a factor. As we will see in section 3.3, coprime integers are important for our purposes, because, in modular arithmetic, computations that involve coprime numbers are substantially different from computations on non-coprime numbers (definition 3.3.2).<sup>7</sup>

The naive way to decide if two integers are coprime would be to divide both numbers successively by all prime numbers smaller than those numbers, to see if they share a common prime factor. However, two integers are coprime if and only if their greatest common divisor is 1. Computing the  $\gcd$  is therefore the preferred method, as it is computationally more efficient.

*Example 5*. Consider example 4 again. As we have seen, the greatest common divisor of 12 and 5 is 1. This implies that the integers 12 and 5 are coprime, since they share no divisor other than 1, which is not a prime number.

*Exercise 12*. Consider exercise 8 again. Which pairs  $(a, b)$  from that exercise are coprime?

### 3.2.5 Integer Representations

So far we have represented integers in the so-called **decimal positional system**, which represents any integer as a sequence of elements from the set of decimal digits  $\{0, 1, 2, 3, 4, 5, 6, 7, 8, 9\}$ . However there are other representations of integers used in computer science and cryptography which we want to highlight:

<sup>7</sup>An introduction to coprime numbers can be found in chapter 5, section 1 of Hardy et al. [2008].

The so-called **binary positional system** (or binary representation), represents every integer as a sequence of elements from the set of binary digits (or bits)  $\{0, 1\}$ . To be more precise, let  $n \in \mathbb{N}_0$  be a non-negative integer in decimal representation and  $b = b_{k-1}b_{k-2}\dots b_0$  a sequence of **bits**  $b_j \in \{0, 1\} \subset \mathbb{N}_0$  for some positive integer  $k \in \mathbb{N}$ . Then  $b$  is the **binary representation** of  $n$  if the following equation holds:

$$n = \sum_{j=0}^{k-1} b_j \cdot 2^j \quad (3.13)$$

In this case, we write  $Bits(n) := b_{k-1}b_{k-2}\dots b_0$  for the binary representation of  $n$ , say that  $n$  is a  $k$ -bit number and call  $k := |n|_2$  the **bit length** of  $n$ .

It can be shown, that the binary representation of any non-negative integer is unique. We call  $b_0$  the **least significant bit** and  $b_{k-1}$  the **most significant bit** and define the **Hamming weight** of an integer as the number of 1s in its binary representation.<sup>8</sup>

Another commonly used representation is the so-called **hexadecimal positional system**, which represents every integer as a sequence of elements from a set of 16 digits usually written as  $\{0, 1, 2, 3, 4, 5, 6, 7, 8, 9, a, b, c, d, e, f\}$ .

If not stated otherwise, we use the decimal positional system throughout this book in order to represent numbers, like integers or rational numbers. It should be noted though, that since real-world cryptographic systems often have to deal with large integers, the hexadecimal system is a common choice in those circumstances, since hexadecimal representations need fewer digits to represent an integer than decimal representation.

```
sage: NN(27713).str(2) # Binary representation      38
110110001000001                                     39
sage: ZZ(27713).str(16) # Hexadecimal representation 40
6c41                                                41
```

If a positional system with a  $k$  digest set  $\{d_0, d_1, \dots, d_{k-1}\}$  is given, then an integer representation  $d_{j_h} \dots d_{j_1} d_{j_0}$  in that system can be transformed into an integer representation  $n$  in the decimal system by the following equation:

$$n = \sum_{i=0}^h j_i \cdot k^i \quad (3.14)$$

Similar equations exist to transform an integer representation from any positional system into any other positional system. The decimal system is therefore not special, just the most common. To deal with this ambiguity many computer systems accept prefixes to a number which specify which positional system this number is expressed in. Common prefix notations are:

0x hexadecimal  
0b binary

*Example 6.* To understand the difference between an integer representation and the integer itself, consider the expression 11 as an integer representation. Note that without a reference to a positional system this expression is ambiguous. One might consider this expression to represent the integer 11 in decimal representation. However if 11 is considered as an expression in the binary system, then it refers to the integer 3 in decimal representation. Moreover when 11 is considered as an expression in the hexadecimal system, then it refers to the integer 17 in the

<sup>8</sup>For more on binary and general base integer representation see, for example, chapter 1 in Mignotte [1992].

decimal representation. It is therefore common practice to use a prefix in order to uniquely specify an integer in a positional system. We get

$$0x11 = 17$$

$$0b11 = 3$$

*Example 7.* In order to see how equation 3.14 can transform any representation into a decimal representation, consider the set of hexadecimal digits  $\{0, 1, 2, 3, 4, 5, 6, 7, 8, 9, a, b, c, d, e, f\}$  which we can write as

$$\{0_0, 1_1, 2_2, 3_3, 4_4, 5_5, 6_6, 7_7, 8_8, 9_9, a_{10}, b_{11}, c_{12}, d_{13}, e_{14}, f_{15}\}$$

If we want to transform the integer  $y = 0x3f7a$  we can write it as  $0x3_3f_{15}7_7a_{10}$  and use equation 3.14 to compute its decimal representation. Since the hexadecimal system has 16 digits and  $y$  is a 4-digits number in hexadecimal, we get

$$\begin{aligned} n &= \sum_{i=0}^4 j_i \cdot 16^i \\ &= 10 \cdot 16^0 + 7 \cdot 16^1 + 15 \cdot 16^2 + 3 \cdot 16^3 \\ &= 16250 \end{aligned}$$

*Exercise 13.* Consider the **octal** positional system, which represents integers with 8 digits, usually written as  $\{0, 1, 2, 3, 4, 5, 6, 7\}$ . Numbers in this system are characterized by the prefix  $0o$ . Write the numbers  $0o1354$  and  $0o777$  into their decimal representation.

### 3.3 Modular arithmetic

**Modular arithmetic** is a system of integer arithmetic where numbers “wrap around” when reaching a certain value, much like calculations on a clock wrap around whenever the value exceeds the number 12. For example, if the clock shows that it is 11 o’clock, then 20 hours later it will be 7 o’clock, not 31 o’clock. The number 31 has no meaning on a normal clock that shows hours.

The number at which the wrap occurs is called the **modulus**. Modular arithmetic generalizes the clock example to arbitrary moduli, and studies equations and phenomena that arise in this new kind of arithmetic. It is of central importance for understanding most modern cryptographic systems, in large parts because modular arithmetic provides the computational infrastructure for algebraic types that have cryptographically useful examples of one-way functions.

Although modular arithmetic appears very different from ordinary integer arithmetic that we are all familiar with, we encourage you to work through the examples and discover that, once they get used to the idea that this is a new kind of calculation, it will seem much less daunting. A detailed introduction to modular arithmetic and its applications in number theory can be found in chapter 5 - 8 of Hardy et al. [2008]. An elementary school introduction to parts of the topic in the section can be found in part 4 of Wu [2011].

#### 3.3.1 Congruence

In what follows, let  $n \in \mathbb{N}$  with  $n \geq 2$  be a fixed natural number that we will call the **modulus** of our modular arithmetic system. With such an  $n$  given, we can then group integers into classes: two integers are in the same class whenever their Euclidean Division (3.2.2) by  $n$  will give the same remainder. Two numbers that are in the same class are called **congruent**.

*Example 8.* If we choose  $n = 12$  as in our clock example, then the integers  $-7, 5, 17$  and  $29$  are all congruent with respect to  $12$ , since all of them have the remainder  $5$  if we perform Euclidean Division on them by  $12$ . Imagining the picture of an analog 12-hour clock, starting at 5 o'clock and adding 12 hours, we are at 5 o'clock again, representing the number  $17$ . Indeed, in many countries, 5:00 in the afternoon is written as 17:00. On the other hand, when we subtract 12 hours, we are at 5 o'clock again, representing the number  $-7$ .

We can formalize this intuition of what congruence should be into a proper definition utilizing Euclidean Division (as explained previously in 3.2). Let  $a, b \in \mathbb{Z}$  be two integers, and  $n \in \mathbb{N}$  be a natural number such that  $n \geq 2$ . The integers  $a$  and  $b$  are said to be **congruent with respect to the modulus  $n$**  if and only if the following equation holds:

$$a \bmod n = b \bmod n \quad (3.15)$$

If, on the other hand, two numbers are not congruent with respect to a given modulus  $n$ , we call them **incongruent** w.r.t.  $n$ .

In other words, **congruence** is an equation “up to congruence”, which means that the equation only needs to hold if we take the modulus of both sides. This is expressed with the following notation:<sup>9</sup>

$$a \equiv b \pmod{n} \quad (3.16)$$

*Exercise 14.* Which of the following pairs of numbers are congruent with respect to the modulus 13:

- $(5, 19)$
- $(13, 0)$
- $(-4, 9)$
- $(0, 0)$

*Exercise 15.* Find all integers  $x$ , such that the congruence  $x \equiv 4 \pmod{6}$  is satisfied.

### 3.3.2 Computational Rules

Having defined the notion of congruence as an equation “up to a modulus”, a follow-up question is if we can manipulate a congruence similarly to an equation. Indeed, we can almost apply the same substitution rules to a congruency as to an equation, with the main difference being that, for some non-zero integer  $k \in \mathbb{Z}$ , the congruence  $a \equiv b \pmod{n}$  is equivalent to the congruence  $k \cdot a \equiv k \cdot b \pmod{n}$  only if  $k$  and the modulus  $n$  are coprime (see 3.2.4).

Suppose that integers  $a_1, a_2, b_1, b_2, k \in \mathbb{Z}$  are given (cf. chapter 5 of Hardy et al. [2008]). Then the following arithmetic rules hold for congruences:

- $a_1 \equiv b_1 \pmod{n} \Leftrightarrow a_1 + k \equiv b_1 + k \pmod{n}$  (compatibility with translation)
- $a_1 \equiv b_1 \pmod{n} \Rightarrow k \cdot a_1 \equiv k \cdot b_1 \pmod{n}$  (compatibility with scaling)
- $\gcd(k, n) = 1$  and  $k \cdot a_1 \equiv k \cdot b_1 \pmod{n} \Rightarrow a_1 \equiv b_1 \pmod{n}$
- $k \cdot a_1 \equiv k \cdot b_1 \pmod{k \cdot n} \Rightarrow a_1 \equiv b_1 \pmod{n}$

<sup>9</sup>A more in-depth introduction to the notion of congruency and its basic properties and application in number theory can be found in chapter 5 of Hardy et al. [2008].

- $a_1 \equiv b_1 \pmod{n}$  and  $a_2 \equiv b_2 \pmod{n} \Rightarrow a_1 + a_2 \equiv b_1 + b_2 \pmod{n}$  (compatibility with addition)
- $a_1 \equiv b_1 \pmod{n}$  and  $a_2 \equiv b_2 \pmod{n} \Rightarrow a_1 \cdot a_2 \equiv b_1 \cdot b_2 \pmod{n}$  (compatibility with multiplication)

Other rules, such as compatibility with subtraction, follow the rules above. For example, compatibility with subtraction follows from compatibility with scaling by  $k = -1$  and compatibility with addition.

Another property of congruences not found in the traditional arithmetic of integers is **Fermat's Little Theorem**. Simply put, it states that, in modular arithmetic, every number raised to the power of a prime number modulus is congruent to the number itself. Or, to be more precise, if  $p \in \mathbb{P}$  is a prime number and  $k \in \mathbb{Z}$  is an integer, then the following holds:

$$k^p \equiv k \pmod{p} \quad (3.17)$$

If  $k$  is coprime to  $p$ , then we can divide both sides of this congruence by  $k$  and rewrite the expression into the following equivalent form:<sup>10</sup>

$$k^{p-1} \equiv 1 \pmod{p} \quad (3.18)$$

The Sage code below computes examples of Fermat's Little Theorem and highlights the effects of the exponent  $k$  being coprime to  $p$  (as in the case of 137 and 64) and not coprime to  $p$  (as in the case of 1918 and 137):

```

sage: ZZ(137).gcd(ZZ(64))          42
1                                  43
sage: ZZ(64)^ZZ(137)%ZZ(137)==ZZ(64)%ZZ(137) 44
True                               45
sage: ZZ(64)^ZZ(137-1)%ZZ(137)==ZZ(1)%ZZ(137) 46
True                               47
sage: ZZ(1918).gcd(ZZ(137))       48
137                                49
sage: ZZ(1918)^ZZ(137)%ZZ(137)==ZZ(1918)%ZZ(137) 50
True                               51
sage: ZZ(1918)^ZZ(137-1)%ZZ(137)==ZZ(1)%ZZ(137) 52
False                              53

```

The following example contains most of the concepts described in this section.

*Example 9.* To better understand congruences, let us solve the following congruence for  $x \in \mathbb{Z}$  in modular 6 arithmetic:

$$7 \cdot (2x + 21) + 11 \equiv x - 102 \pmod{6}$$

As many rules for congruences are more or less same as for equations, we can proceed in a similar way as we would if we had an equation to solve. Since both sides of a congruence contain ordinary integers, we can rewrite the left side as follows:

$$7 \cdot (2x + 21) + 11 = 14x + 147 + 11 = 14x + 158$$

<sup>10</sup>Fermat's little theorem is of high importance in number theory. For a detailed proof and an extensive introduction to its consequences see for example chapter 6 in Hardy et al. [2008].



Using this expression, we can rewrite the congruence into the following equivalent form:

$$14x + 158 \equiv x - 102 \pmod{6}$$

In the next step, we want to shift all instances of  $x$  to the left and every other term to the right. So we apply the “compatibility with translation” rule twice. In the first step, we choose  $k = -x$ , and in the second step, we choose  $k = -158$ . Since “compatibility with translation” transforms a congruence into an equivalent form, the solution set will not change, and we get the following:

$$\begin{aligned} 14x + 158 \equiv x - 102 \pmod{6} &\Leftrightarrow \\ 14x - x + 158 - 158 &\equiv x - x - 102 - 158 \pmod{6} \Leftrightarrow \\ &13x \equiv -260 \pmod{6} \end{aligned}$$

If our congruence was just a regular integer equation, we would divide both sides by 13 to get  $x = -20$  as our solution. However, in case of congruence, we need to make sure that the modulus and the number we want to divide by are coprime to ensure that the result of the division is an expression equivalent to the original one (see rule 3.18). This means that we need to find the greatest common divisor  $\gcd(13, 6)$ . Since 13 is prime and 6 is not a multiple of 13, we know that  $\gcd(13, 6) = 1$ , so these numbers are indeed coprime. We therefore compute as follows:

$$13x \equiv -260 \pmod{6} \Leftrightarrow x \equiv -20 \pmod{6}$$

Our task now is to find all integers  $x$  such that  $x$  is congruent to  $-20$  with respect to the modulus 6. In other words, we have to find all  $x$  such that the following equation holds:

$$x \bmod 6 = -20 \bmod 6$$

Since  $-4 \cdot 6 + 4 = -20$ , we know that  $-20 \bmod 6 = 4$ , and hence we know that  $x = 4$  is a solution to this congruence. However, 22 is another solution, since  $22 \bmod 6 = 4$  as well. Another solution is  $-20$ . In fact, there are infinitely many solutions given by the following set:

$$\{\dots, -8, -2, 4, 10, 16, \dots\} = \{4 + k \cdot 6 \mid k \in \mathbb{Z}\}$$

Putting all this together, we have shown that every  $x$  from the set  $\{x = 4 + k \cdot 6 \mid k \in \mathbb{Z}\}$  is a solution to the congruence  $7 \cdot (2x + 21) + 11 \equiv x - 102 \pmod{6}$ . We double-check for two arbitrary numbers from this set,  $x = 4$  and  $x = 4 + 12 \cdot 6 = 76$  using Sage:

```
sage: (ZZ(7) * (ZZ(2) * ZZ(4) + ZZ(21)) + ZZ(11)) % ZZ(6) == (ZZ(7) *
(4) - ZZ(102)) % ZZ(6)
```

```
True
```

```
sage: (ZZ(7) * (ZZ(2) * ZZ(76) + ZZ(21)) + ZZ(11)) % ZZ(6) == (
ZZ(76) - ZZ(102)) % ZZ(6)
```

```
True
```

If you had not been familiar with modular arithmetic until now and who might be discouraged by how complicated modular arithmetic seems at this point, you should keep two things in mind. First, computing congruences in modular arithmetic is not really more complicated than computations in more familiar number systems (e.g. rational numbers), it is just a matter of getting used to it. Second, once we introduce the idea of remainder class representations in 3.3.4, computations become conceptually cleaner and easier to handle.

*Exercise 16.* Consider the modulus 13 and find all solutions  $x \in \mathbb{Z}$  to the following congruence:

$$5x + 4 \equiv 28 + 2x \pmod{13}$$

*Exercise 17.* Consider the modulus 23 and find all solutions  $x \in \mathbb{Z}$  to the following congruence:

$$69x \equiv 5 \pmod{23}$$

*Exercise 18.* Consider the modulus 23 and find all solutions  $x \in \mathbb{Z}$  to the following congruence:

$$69x \equiv 46 \pmod{23}$$

*Exercise 19.* Let  $a, b, k$  be integers, such that  $a \equiv b \pmod{n}$  holds. Show  $a^k \equiv b^k \pmod{n}$ .

*Exercise 20.* Let  $a, n$  be integers, such that  $a$  and  $n$  are not coprime. For which  $b \in \mathbb{Z}$  does the congruence  $a \cdot x \equiv b \pmod{n}$  have a solution  $x$  and how does the solution set look in that case?

### 3.3.3 The Chinese Remainder Theorem

We have seen how to solve congruences in modular arithmetic. In this section, we look at how to solve systems of congruences with different moduli using the **Chinese Remainder Theorem**. This states that, for any  $k \in \mathbb{N}$  and coprime natural numbers  $n_1, \dots, n_k \in \mathbb{N}$ , as well as integers  $a_1, \dots, a_k \in \mathbb{Z}$ , the so-called **simultaneous congruences** (in 3.19 below) have a solution, and all possible solutions of this congruence system are congruent modulo the product  $N = n_1 \cdot \dots \cdot n_k$ .<sup>11</sup>

$$\begin{aligned} x &\equiv a_1 \pmod{n_1} \\ x &\equiv a_2 \pmod{n_2} \\ &\dots \\ x &\equiv a_k \pmod{n_k} \end{aligned} \tag{3.19}$$

The solution set is computed by algorithm 2 below.

---

#### Algorithm 2 Chinese Remainder Theorem

---

**Require:**  $k \in \mathbb{Z}$ ,  $j \in \mathbb{N}_0$  and  $n_0, \dots, n_{k-1} \in \mathbb{N}$  coprime

**procedure** CONGRUENCE-SYSTEMS-SOLVER( $a_0, \dots, a_{k-1}$ )

$N \leftarrow n_0 \cdot \dots \cdot n_{k-1}$

**while**  $j < k$  **do**

$N_j \leftarrow N/n_j$

$(\_, s_j, t_j) \leftarrow \text{EXT-EUCLID}(N_j, n_j)$

$\triangleright 1 = s_j \cdot N_j + t_j \cdot n_j$

**end while**

$x' \leftarrow \sum_{j=0}^{k-1} a_j \cdot s_j \cdot N_j$

$x \leftarrow x' \pmod{N}$

**return**  $\{x + m \cdot N \mid m \in \mathbb{Z}\}$

**end procedure**

**Ensure:**  $\{x + m \cdot N \mid m \in \mathbb{Z}\}$  is the complete solution set to 3.19.

---

<sup>11</sup>This is the classical Chinese Remainder Theorem as it was already known in ancient China. Under certain circumstances, the theorem can be extended to non-coprime moduli  $n_1, \dots, n_k$  but this is beyond the scope of this book. Interested readers should consult chapter 1, section 1.3.3 of Cohen [2010] for an introduction to the theorem and its application in computational number theory. A proof of the theorem is given for example in chapter 1, section 10 of Mignotte [1992].

*Example 10.* To illustrate how to solve simultaneous congruences using the Chinese Remainder Theorem, let's look at the following system of congruences:

$$\begin{aligned}x &\equiv 4 \pmod{7} \\x &\equiv 1 \pmod{3} \\x &\equiv 3 \pmod{5} \\x &\equiv 0 \pmod{11}\end{aligned}$$

Clearly, all moduli are coprime (since they are all prime numbers). Now we calculate as follows:

$$\begin{aligned}N &= 7 \cdot 3 \cdot 5 \cdot 11 = 1155 \\N_1 &= 1155/7 = 165 \\N_2 &= 1155/3 = 385 \\N_3 &= 1155/5 = 231 \\N_4 &= 1155/11 = 105\end{aligned}$$

From this, we calculate with the Extended Euclidean Algorithm:

$$\begin{aligned}1 &= 2 \cdot 165 + -47 \cdot 7 \\1 &= 1 \cdot 385 + -128 \cdot 3 \\1 &= 1 \cdot 231 + -46 \cdot 5 \\1 &= 2 \cdot 105 + -19 \cdot 11\end{aligned}$$

As a result, we get  $x = 4 \cdot 2 \cdot 165 + 1 \cdot 1 \cdot 385 + 3 \cdot 1 \cdot 231 + 0 \cdot 2 \cdot 105 = 2398$  as one solution. Because  $2398 \pmod{1155} = 88$ , the set of all solutions is  $\{\dots, -2222, -1067, 88, 1243, 2398, \dots\}$ . We can use Sage's computation of the Chinese Remainder Theorem (CRT) to double-check our findings:

```
sage: CRT_list([4, 1, 3, 0], [7, 3, 5, 11])
88
```

58  
59

### 3.3.4 Remainder Class Representation

As we have seen in various examples before, computing congruences can be cumbersome, and solution sets are large in general. It is therefore advantageous to find some kind of simplification for modular arithmetic.

Fortunately, this is possible and relatively straightforward once we identify each set of numbers that have equal remainders with that remainder itself, and call this set the **remainder class** or **residue class** representation in modulo  $n$  arithmetic.

It then follows from the properties of Euclidean Division that there are exactly  $n$  different remainder classes for every modulus  $n$ , and that integer addition and multiplication can be projected to a new kind of addition and multiplication on those classes.

Informally speaking, the new rules for addition and multiplication are then computed by taking any element of the first remainder class and some element of the second remainder class, then adding or multiplying them in the usual way and seeing which remainder class the result is contained in. The following example makes this abstract description more concrete.

*Example 11* (Arithmetic modulo 6). Choosing the modulus  $n = 6$ , we have six remainder classes of integers that are congruent modulo 6, that is, they have the same remainder when divided by

6. When we identify each of those remainder classes with the remainder, we get the following identification:

$$\begin{aligned} 0 &:= \{\dots, -6, 0, 6, 12, \dots\} \\ 1 &:= \{\dots, -5, 1, 7, 13, \dots\} \\ 2 &:= \{\dots, -4, 2, 8, 14, \dots\} \\ 3 &:= \{\dots, -3, 3, 9, 15, \dots\} \\ 4 &:= \{\dots, -2, 4, 10, 16, \dots\} \\ 5 &:= \{\dots, -1, 5, 11, 17, \dots\} \end{aligned}$$

To compute the new addition law of those remainder class representatives, say  $2 + 5$ , we choose an arbitrary element from each class, say 14 and  $-1$ , adds those numbers in the usual way, and then looks at the remainder class of the result.

Adding 14 and  $(-1)$ , we get 13, and 13 is in the remainder class (of) 1. Hence, we find that  $2 + 5 = 1$  in modular 6 arithmetic, which is a more readable way to write the congruence  $2 + 5 \equiv 1 \pmod{6}$ .

Applying the same reasoning to all remainder classes, addition and multiplication can be transferred to the representatives of the remainder classes. The results for modulus 6 arithmetic are summarized in the following addition and multiplication tables:

$$\begin{array}{c|cccccc} + & 0 & 1 & 2 & 3 & 4 & 5 \\ \hline 0 & 0 & 1 & 2 & 3 & 4 & 5 \\ 1 & 1 & 2 & 3 & 4 & 5 & 0 \\ 2 & 2 & 3 & 4 & 5 & 0 & 1 \\ 3 & 3 & 4 & 5 & 0 & 1 & 2 \\ 4 & 4 & 5 & 0 & 1 & 2 & 3 \\ 5 & 5 & 0 & 1 & 2 & 3 & 4 \end{array} \qquad \begin{array}{c|cccccc} \cdot & 0 & 1 & 2 & 3 & 4 & 5 \\ \hline 0 & 0 & 0 & 0 & 0 & 0 & 0 \\ 1 & 0 & 1 & 2 & 3 & 4 & 5 \\ 2 & 0 & 2 & 4 & 0 & 2 & 4 \\ 3 & 0 & 3 & 0 & 3 & 0 & 3 \\ 4 & 0 & 4 & 2 & 0 & 4 & 2 \\ 5 & 0 & 5 & 4 & 3 & 2 & 1 \end{array} \qquad (3.20)$$

This way, we have defined a new arithmetic system that contains just 6 numbers and comes with its own definition of addition and multiplication. We call it **modular 6 arithmetic** and write the associated type as  $\mathbb{Z}_6$ .

To see why identifying a remainder class with its remainder is useful and actually simplifies congruence computations significantly, let's go back to the congruence from example 9:

$$7 \cdot (2x + 21) + 11 \equiv x - 102 \pmod{6} \qquad (3.21)$$

As shown in example 9, the arithmetic of congruences can deviate from ordinary arithmetic: for example, division needs to check whether the modulus and the dividend are coprimes, and solutions are not unique in general.

We can rewrite the congruence in (3.21) as an **equation** over our new arithmetic type  $\mathbb{Z}_6$  by **projecting onto the remainder classes**: since  $7 \bmod 6 = 1$ ,  $21 \bmod 6 = 3$ ,  $11 \bmod 6 = 5$  and  $102 \bmod 6 = 0$ , we get the following:

$$\begin{aligned} 7 \cdot (2x + 21) + 11 &\equiv x - 102 \pmod{6} \text{ over } \mathbb{Z} \\ &\Leftrightarrow 1 \cdot (2x + 3) + 5 = x \text{ over } \mathbb{Z}_6 \end{aligned}$$

We can use the multiplication and addition table in (3.20) above to solve the equation on the right like we would solve normal integer equations:

$$\begin{array}{ll}
 1 \cdot (2x + 3) + 5 = x & \\
 2x + 3 + 5 = x & \# \text{ addition table: } 3 + 5 = 2 \\
 2x + 2 = x & \# \text{ add } 4 \text{ and } -x \text{ on both sides} \\
 2x + 2 + 4 - x = x + 4 - x & \# \text{ addition table: } 2 + 4 = 0 \\
 x = 4 &
 \end{array}$$

As we can see, despite the somewhat unfamiliar rules of addition and multiplication, solving congruences this way is very similar to solving normal equations. And, indeed, the solution set is identical to the solution set of the original congruence, since 4 is identified with the set  $\{4 + 6 \cdot k \mid k \in \mathbb{Z}\}$ .

We can use Sage to do computations in our modular 6 arithmetic type. This is particularly useful to double-check our computations:

```

sage: Z6 = Integers(6)                                     60
sage: Z6(2) + Z6(5)                                       61
1                                                         62
sage: Z6(7) * (Z6(2) * Z6(4) + Z6(21)) + Z6(11) == Z6(4) - Z6(102) 63
True                                                       64

```

*Remark 2* ( $k$ -bit modulus). In cryptographic papers, we sometimes read phrases like “[...] using a 4096-bit modulus”. This means that the underlying modulus  $n$  of the modular arithmetic used in the system has a binary representation with a length of 4096 bits. In contrast, the number 6 has the binary representation 110 and hence our example 11 describes a 3-bit modulus arithmetic system.

*Exercise 21.* Define  $\mathbb{Z}_{13}$  as the the arithmetic modulo 13 analogously to example 11. Then consider the congruence from exercise 16 and rewrite it into an equation in  $\mathbb{Z}_{13}$ .

### 3.3.5 Modular Inverses

As we know, integers can be added, subtracted and multiplied so that the result is also an integer, but this is not true for the division of integers in general: for example,  $3/2$  is not an integer. To see why this is so from a more theoretical perspective, let us consider the definition of a multiplicative inverse first. When we have a set that has some kind of multiplication defined on it, and we have a distinguished element of that set that behaves neutrally with respect to that multiplication (doesn’t change anything when multiplied with any other element), then we can define **multiplicative inverses** in the following way:

*Definition 3.3.5.1.* Let  $S$  be our set that has some notion  $a \cdot b$  of multiplication and a **neutral element**  $1 \in S$ , such that  $1 \cdot a = a$  for all elements  $a \in S$ . Then a **multiplicative inverse**  $a^{-1}$  of an element  $a \in S$  is defined as follows:

$$a \cdot a^{-1} = 1 \tag{3.22}$$

Informally speaking, the definition of a multiplicative inverse means that it “cancels” the original element, so that multiplying the two results in 1.

Numbers that have multiplicative inverses are of particular interest, because they immediately lead to the definition of division by those numbers. In fact, if  $a$  is number such that the

multiplicative inverse  $a^{-1}$  exists, then we define **division** by  $a$  simply as multiplication by the inverse:

$$\frac{b}{a} := b \cdot a^{-1} \quad (3.23)$$

*Example 12.* Consider the set of rational numbers, also known as fractions,  $\mathbb{Q}$ . For this set, the neutral element of multiplication is 1, since  $1 \cdot a = a$  for all rational numbers. For example,  $1 \cdot 4 = 4$ ,  $1 \cdot \frac{1}{4} = \frac{1}{4}$ , or  $1 \cdot 0 = 0$  and so on.

Every rational number  $a \neq 0$  has a multiplicative inverse, given by  $\frac{1}{a}$ . For example, the multiplicative inverse of 3 is  $\frac{1}{3}$ , since  $3 \cdot \frac{1}{3} = 1$ , the multiplicative inverse of  $\frac{5}{7}$  is  $\frac{7}{5}$ , since  $\frac{5}{7} \cdot \frac{7}{5} = 1$ , and so on.

*Example 13.* Looking at the set  $\mathbb{Z}$  of integers, we see that the neutral element of multiplication is the number 1. We can also see that no integer other than 1 or  $-1$  has a multiplicative inverse, since the equation  $a \cdot x = 1$  has no integer solutions for  $a \neq 1$  or  $a \neq -1$ .

The definition of multiplicative inverse has an analog definition for addition called the **additive inverse**. In the case of integers, the neutral element with respect to addition is 0, since  $a + 0 = a$  for all integers  $a \in \mathbb{Z}$ . The additive inverse always exists, and is given by the negative number  $-a$ , since  $a + (-a) = 0$ .

*Example 14.* Looking at the set  $\mathbb{Z}_6$  of residue classes modulo 6 from example 11, we can use the multiplication table in (3.20) to find multiplicative inverses. To do so, we look at the row of the element and find the entry equal to 1. If such an entry exists, the element of that column is the multiplicative inverse. If, on the other hand, the row has no entry equal to 1, we know that the element has no multiplicative inverse.

For example in,  $\mathbb{Z}_6$ , the multiplicative inverse of 5 is 5 itself, since  $5 \cdot 5 = 1$ . We can also see that 5 and 1 are the only elements that have multiplicative inverses in  $\mathbb{Z}_6$ .

Now, since 5 has a multiplicative inverse in modulo 6 arithmetic, we can divide by 5 in  $\mathbb{Z}_6$ , since we have a notation of multiplicative inverse and division is nothing but multiplication by the multiplicative inverse:

$$\frac{4}{5} = 4 \cdot 5^{-1} = 4 \cdot 5 = 2$$

From the last example, we can make the interesting observation that, while 5 has no multiplicative inverse as an integer, it has a multiplicative inverse in modular 6 arithmetic.

This raises the question of which numbers have multiplicative inverses in modular arithmetic. The answer is that, in modular  $n$  arithmetic, a number  $r$  has a multiplicative inverse if and only if  $n$  and  $r$  are coprime. Since  $\gcd(n, r) = 1$  in that case, we know from the Extended Euclidean Algorithm that there are numbers  $s$  and  $t$ , such that the following equation holds:

$$1 = s \cdot n + t \cdot r \quad (3.24)$$

If we take the modulus  $n$  on both sides, the term  $s \cdot n$  vanishes, which tells us that  $t \bmod n$  is the multiplicative inverse of  $r$  in modular  $n$  arithmetic.

*Example 15 (Multiplicative inverses in  $\mathbb{Z}_6$ ).* In the previous example, we looked up multiplicative inverses in  $\mathbb{Z}_6$  from the lookup table in (3.20). In real-world examples, it is usually impossible to write down those lookup tables, as the modulus is too large, and the sets occasionally contain more elements than there are atoms in the observable universe.

Now, trying to determine that  $2 \in \mathbb{Z}_6$  has no multiplicative inverse in  $\mathbb{Z}_6$  without using the lookup table, we immediately observe that 2 and 6 are not coprime, since their greatest common divisor is 2. It follows that equation 3.24 has no solutions  $s$  and  $t$ , which means that 2 has no multiplicative inverse in  $\mathbb{Z}_6$ .

The same reasoning works for 3 and 4, as neither of these is coprime with 6. The case of 5 is different, since  $\gcd(6, 5) = 1$ . To compute the multiplicative inverse of 5, we use the Extended Euclidean Algorithm and compute the following:

k	$r_k$	$s_k$	$t_k = (r_k - s_k \cdot a) \operatorname{div} b$
0	6	1	0
1	5	0	1
2	1	1	-1
3	0	.	.

We get  $s = 1$  as well as  $t = -1$  and have  $1 = 1 \cdot 6 - 1 \cdot 5$ . From this, it follows that  $-1 \pmod 6 = 5$  is the multiplicative inverse of 5 in modular 6 arithmetic. We can double-check using Sage:

```
sage: ZZ(6).xgcd(ZZ(5))
(1, 1, -1)
```

65  
66

At this point, the attentive reader might notice that the situation where the modulus is a prime number is of particular interest, because we know from exercise 9 that, in these cases, all remainder classes must have modular inverses, since  $\gcd(r, n) = 1$  for prime  $n$  and any  $r < n$ . In fact, Fermat's Little Theorem (3.17) provides a way to compute multiplicative inverses in this situation, since, in case of a prime modulus  $p$  and  $r < p$ , we get the following:

$$\begin{aligned}
 r^p &\equiv r \pmod p \Leftrightarrow \\
 r^{p-1} &\equiv 1 \pmod p \Leftrightarrow \\
 r \cdot r^{p-2} &\equiv 1 \pmod p
 \end{aligned}$$

This tells us that the multiplicative inverse of a residue class  $r$  in modular  $p$  arithmetic is precisely  $r^{p-2}$ .

*Example 16* (Modular 5 arithmetic). To see the unique properties of modular arithmetic when the modulus is a prime number, we will replicate our findings from example 11, but this time for the prime modulus 5. For  $p = 5$  we have five equivalence classes of integers which are congruent modulo 5. We write this as follows:

$$\begin{aligned}
 0 &:= \{\dots, -5, 0, 5, 10, \dots\} \\
 1 &:= \{\dots, -4, 1, 6, 11, \dots\} \\
 2 &:= \{\dots, -3, 2, 7, 12, \dots\} \\
 3 &:= \{\dots, -2, 3, 8, 13, \dots\} \\
 4 &:= \{\dots, -1, 4, 9, 14, \dots\}
 \end{aligned}$$

Addition and multiplication can be transferred to the equivalence classes, in a way exactly parallel to example 11. This results in the following addition and multiplication tables:

+	0	1	2	3	4	·	0	1	2	3	4	(3.25)
0	0	1	2	3	4	0	0	0	0	0	0	
1	1	2	3	4	0	1	0	1	2	3	4	
2	2	3	4	0	1	2	0	2	4	1	3	
3	3	4	0	1	2	3	0	3	1	4	2	
4	4	0	1	2	3	4	0	4	3	2	1	

Calling the set of remainder classes in modular 5 arithmetic with this addition and multiplication  $\mathbb{Z}_5$ , we see some subtle but important differences to the situation in  $\mathbb{Z}_6$ . In particular, we see

that in the multiplication table, every remainder  $r \neq 0$  has the entry 1 in its row and therefore has a multiplicative inverse. In addition, there are no non-zero elements such that their product is zero.

To use Fermat's Little Theorem in  $\mathbb{Z}_5$  for computing multiplicative inverses (instead of using the multiplication table), let's consider  $3 \in \mathbb{Z}_5$ . We know that the multiplicative inverse is given by the remainder class that contains  $3^{5-2} = 3^3 = 3 \cdot 3 \cdot 3 = 4 \cdot 3 = 2$ . And indeed  $3^{-1} = 2$ , since  $3 \cdot 2 = 1$  in  $\mathbb{Z}_5$ .

We can use Sage to do computations in our modular 5 arithmetic type to double-check our computations:

```
sage: Z5 = Integers(5)           67
sage: Z5(3)**(5-2)              68
2                               69
sage: Z5(3)**(-1)              70
2                               71
sage: Z5(3)**(5-2) == Z5(3)**(-1) 72
True                            73
```

*Example 17.* To understand one of the principal differences between prime number modular arithmetic and non-prime number modular arithmetic, consider the linear equation  $a \cdot x + b = 0$  defined over both types  $\mathbb{Z}_5$  and  $\mathbb{Z}_6$ . Since every non-zero element has a multiplicative inverse in  $\mathbb{Z}_5$ , we can always solve these equations in  $\mathbb{Z}_5$ , which is not true in  $\mathbb{Z}_6$ . To see that, consider the equation  $3x + 3 = 0$ . In  $\mathbb{Z}_5$  we have the following:

$$\begin{array}{ll} 3x + 3 = 0 & \# \text{ add 2 and on both sides} \\ 3x + 3 + 2 = 2 & \# \text{ addition-table: } 2 + 3 = 0 \\ 3x = 2 & \# \text{ divide by 3 (which equals multiplication by 2)} \\ 2 \cdot (3x) = 2 \cdot 2 & \# \text{ multiplication-table: } 2 \cdot 2 = 4 \\ x = 4 & \end{array}$$

So in the case of our prime number modular arithmetic, we get the unique solution  $x = 4$ . Now consider  $\mathbb{Z}_6$ :

$$\begin{array}{ll} 3x + 3 = 0 & \# \text{ add 3 and on both sides} \\ 3x + 3 + 3 = 3 & \# \text{ addition-table: } 3 + 3 = 0 \\ 3x = 3 & \# \text{ division not possible (no multiplicative inverse of 3 exists)} \end{array}$$

So, in this case, we cannot solve the equation for  $x$  by dividing by 3. And, indeed, when we look at the multiplication table of  $\mathbb{Z}_6$  (example 11), we find that there are three solutions  $x \in \{1, 3, 5\}$ , such that  $3x + 3 = 0$  holds true for all of them.

*Exercise 22.* Consider the modulus  $n = 24$ . Which of the integers 7, 1, 0, 805,  $-4255$  have multiplicative inverses in modular 24 arithmetic? Compute the inverses, in case they exist.

*Exercise 23.* Find the set of all solutions to the congruence  $17(2x + 5) - 4 \equiv 2x + 4 \pmod{5}$ . Then project the congruence into  $\mathbb{Z}_5$  and solve the resulting equation in  $\mathbb{Z}_5$ . Compare the results.

*Exercise 24.* Find the set of all solutions to the congruence  $17(2x + 5) - 4 \equiv 2x + 4 \pmod{6}$ . Then project the congruence into  $\mathbb{Z}_6$  and try to solve the resulting equation in  $\mathbb{Z}_6$ .



### 3.4 Polynomial arithmetic

A polynomial is an expression consisting of variables (also called indeterminates) and coefficients that involves only the operations of addition, subtraction and multiplication. All coefficients of a polynomial must have the same type, e.g. they must all be integers or they must all be rational numbers, etc.<sup>12</sup>

To be more precise, an **univariate polynomial**<sup>13</sup> is an expression as shown below:

$$P(x) := \sum_{j=0}^m a_j x^j = a_m x^m + a_{m-1} x^{m-1} + \cdots + a_1 x + a_0, \quad (3.26)$$

In (3.26)  $x$  is called the **variable**, and each  $a$  is called a **coefficient**. If  $R$  is the type of the coefficients, then the set of all **univariate polynomials with coefficients in  $R$**  is written as  $R[x]$ . Univariate polynomials are often simply called polynomials, and written as  $P(x) \in R[x]$ . The constant term  $a_0$  as is also written as  $P(0)$ .

A polynomial is called the **zero polynomial** if all its coefficients are zero. A polynomial is called the **one polynomial** if the constant term is 1 and all other coefficients are zero.

Given a univariate polynomial  $P(x) = \sum_{j=0}^m a_j x^j$  that is not the zero polynomial, we call the non-negative integer  $\deg(P) := m$  the *degree* of  $P$ , and define the degree of the zero polynomial to be  $-\infty$ , where  $-\infty$  (negative infinity) is a symbol with the properties that  $-\infty + m = -\infty$  and  $-\infty < m$  for all non-negative integers  $m \in \mathbb{N}_0$ .

In addition, we denote the coefficient of the term with the highest degree, called **leading coefficient**, of the polynomial  $P$  as follows:

$$Lc(P) := a_m \quad (3.27)$$

We can restrict the set  $R[x]$  of **all** polynomials with coefficients in  $R$  to the set of all such polynomials that have a degree that does not exceed a certain value. If  $m$  is the maximum degree allowed, we write  $R_{\leq m}[x]$  for the set of all polynomials with a degree less than or equal to  $m$ .

*Example 18* (Integer Polynomials). The coefficients of a polynomial must all have the same type. The set of polynomials with integer coefficients is written as  $\mathbb{Z}[x]$ . Some examples of such polynomials are listed below:

$P_1(x) = 2x^2 - 4x + 17$	# with $\deg(P_1) = 2$ and $Lc(P_1) = 2$
$P_2(x) = x^{23}$	# with $\deg(P_2) = 23$ and $Lc(P_2) = 1$
$P_3(x) = x$	# with $\deg(P_3) = 1$ and $Lc(P_3) = 1$
$P_4(x) = 174$	# with $\deg(P_4) = 0$ and $Lc(P_4) = 174$
$P_5(x) = 1$	# with $\deg(P_5) = 0$ and $Lc(P_5) = 1$
$P_6(x) = 0$	# with $\deg(P_6) = -\infty$ and $Lc(P_6) = 0$
$P_7(x) = (x - 2)(x + 3)(x - 5)$	

Every integer can be seen as an integer polynomial of degree zero.  $P_7$  is a polynomial, because we can expand its definition into  $P_7(x) = x^3 - 4x^2 - 11x + 30$ , which is a polynomial of degree 3 and leading coefficient 1.

<sup>12</sup>An introduction to the theory of polynomials can be found, for example, in chapter 3 of Mignotte [1992] and a detailed description of many algorithms used in computations on polynomials are given in chapter 3 of Cohen [2010].

<sup>13</sup>In our context, the term univariate means that the polynomial contains a single variable only.

The following expressions are not integer polynomials:

$$Q_1(x) = 2x^2 + 4 + 3x^{-2}$$

$$Q_2(x) = 0.5x^4 - 2x$$

$$Q_3(x) = 2^x$$

$Q_1$  is not an integer polynomial because the expression  $x^{-2}$  has a negative exponent.  $Q_2$  is not an integer polynomial because the coefficient 0.5 is not an integer.  $Q_3$  is not an integer polynomial because the variable appears in the exponent of a coefficient.

We can use Sage to do computations with polynomials. To do so, we have to specify the symbol for the variable and the type for the coefficients.

```

sage: Zx = ZZ['x'] # integer polynomials with indeterminate x 74
sage: Zt.<t> = ZZ[] # integer polynomials with indeterminate t 75
sage: Zx 76
Univariate Polynomial Ring in x over Integer Ring 77
sage: Zt 78
Univariate Polynomial Ring in t over Integer Ring 79
sage: p1 = Zx([17,-4,2]) 80
sage: p1 81
2*x^2 - 4*x + 17 82
sage: p1.degree() 83
2 84
sage: p1.leading_coefficient() 85
2 86
sage: p2 = Zt(t^23) 87
sage: p2 88
t^23 89
sage: p6 = Zx([0]) 90
sage: p6.degree() 91
-1 92

```

*Example 19* (Polynomials over  $\mathbb{Z}_6$ ). Recall the definition of modular 6 arithmetics  $\mathbb{Z}_6$  from example 11. The set of all polynomials with indeterminate  $x$  and coefficients in  $\mathbb{Z}_6$  is symbolized as  $\mathbb{Z}_6[x]$ . Some examples of polynomials from  $\mathbb{Z}_6[x]$  are given below:

$$\begin{array}{ll}
 P_1(x) = 2x^2 - 4x + 5 & \# \text{ with } \deg(P_1) = 2 \text{ and } Lc(P_1) = 2 \\
 P_2(x) = x^{23} & \# \text{ with } \deg(P_2) = 23 \text{ and } Lc(P_2) = 1 \\
 P_3(x) = x & \# \text{ with } \deg(P_3) = 1 \text{ and } Lc(P_3) = 1 \\
 P_4(x) = 3 & \# \text{ with } \deg(P_4) = 0 \text{ and } Lc(P_4) = 3 \\
 P_5(x) = 1 & \# \text{ with } \deg(P_5) = 0 \text{ and } Lc(P_5) = 1 \\
 P_6(x) = 0 & \# \text{ with } \deg(P_6) = -\infty \text{ and } Lc(P_6) = 0 \\
 P_7(x) = (x-2)(x+3)(x-5) & 
 \end{array}$$

Just like in the previous example,  $P_7$  is a polynomial. However, since we are working with coefficients from  $\mathbb{Z}_6$  now, the expansion of  $P_7$  is computed differently, as we have to use addition

and multiplication in  $\mathbb{Z}_6$  as defined in (3.20). We get the following:

$$\begin{aligned}
 (x-2)(x+3)(x-5) &= (x+4)(x+3)(x+1) && \# \text{ additive inverses in } \mathbb{Z}_6 \\
 &= (x^2 + 4x + 3x + 3 \cdot 4)(x+1) && \# \text{ bracket expansion} \\
 &= (x^2 + 1x + 0)(x+1) && \# \text{ computation in } \mathbb{Z}_6 \\
 &= x^3 + x^2 + x^2 + x && \# \text{ bracket expansion} \\
 &= x^3 + 2x^2 + x
 \end{aligned}$$

Again, we can use Sage to do computations with polynomials that have their coefficients in  $\mathbb{Z}_6$ . To do so, we have to specify the symbol for the indeterminate and the type for the coefficients:

```

sage: Z6 = Integers(6)                                     93
sage: Z6x = Z6['x']                                       94
sage: Z6x                                             95
Univariate Polynomial Ring in x over Ring of integers modulo 6 96
sage: p1 = Z6x([5, -4, 2])                               97
sage: p1                                               98
2*x^2 + 2*x + 5                                         99
sage: p1 = Z6x([17, -4, 2])                             100
sage: p1                                               101
2*x^2 + 2*x + 5                                         102
sage: Z6x(x-2)*Z6x(x+3)*Z6x(x-5) == Z6x(x^3 + 2*x^2 + x) 103
True                                                    104

```

Given some elements from the same type as the coefficients of a polynomial, the polynomial can be evaluated at that element, which means that we insert the given element for every occurrence of the indeterminate  $x$  in the polynomial expression.

To be more precise, let  $P \in R[x]$ , with  $P(x) = \sum_{j=0}^m a_j x^j$  be a polynomial with a coefficient of type  $R$  and let  $b \in R$  be an element of that type. Then the **evaluation** of  $P$  at  $b$  is given as follows:

$$P(b) = \sum_{j=0}^m a_j b^j \quad (3.28)$$

*Example 20.* Consider the integer polynomials from example 18 again. To evaluate them at given points, we have to insert the point for all occurrences of  $x$  in the polynomial expression. Inserting arbitrary values from  $\mathbb{Z}$ , we get the following:

$$\begin{aligned}
 P_1(2) &= 2 \cdot 2^2 - 4 \cdot 2 + 17 = 17 \\
 P_2(3) &= 3^{23} = 94143178827 \\
 P_3(-4) &= -4 \\
 P_4(15) &= 174 \\
 P_5(0) &= 1 \\
 P_6(1274) &= 0 \\
 P_7(-6) &= (-6-2)(-6+3)(-6-5) = -264
 \end{aligned}$$

Note, however, that it is not possible to evaluate any of those polynomials on values of different types. For example, it is not strictly correct to write  $P_1(0.5)$ , since 0.5 is not an integer. We can verify our computations using Sage:

```
sage: Zx = ZZ['x'] 105
sage: p1 = Zx([17, -4, 2]) 106
sage: p7 = Zx(x-2)*Zx(x+3)*Zx(x-5) 107
sage: p1(ZZ(2)) 108
17 109
sage: p7(ZZ(-6)) == ZZ(-264) 110
True 111
```

*Example 21.* Consider the polynomials with coefficients in  $\mathbb{Z}_6$  from example 19 again. To evaluate them at given values from  $\mathbb{Z}_6$ , we have to insert the point for all occurrences of  $x$  in the polynomial expression. We get the following:

$$\begin{aligned} P_1(2) &= 2 \cdot 2^2 - 4 \cdot 2 + 5 = 2 - 2 + 5 = 5 \\ P_2(3) &= 3^{23} = 3 \\ P_3(-4) &= P_3(2) = 2 \\ P_5(0) &= 1 \\ P_6(4) &= 0 \end{aligned}$$

```
sage: Z6 = Integers(6) 112
sage: Z6x = Z6['x'] 113
sage: p1 = Z6x([5, -4, 2]) 114
sage: p1(Z6(2)) == Z6(5) 115
True 116
```

*Exercise 25.* Compare both expansions of  $P_7$  from  $\mathbb{Z}[x]$  in example 18 and from  $\mathbb{Z}_6[x]$  in example 19, and consider the definition of  $\mathbb{Z}_6$  as given in example 11. Can you see how the definition of  $P_7$  over  $\mathbb{Z}$  projects to the definition over  $\mathbb{Z}_6$  if you consider the residue classes of  $\mathbb{Z}_6$ ?

### 3.4.1 Polynomial arithmetic

Polynomials behave like integers in many ways. In particular, they can be added, subtracted and multiplied. In addition, they have their own notion of Euclidean Division. Informally speaking, we can add two polynomials by simply adding the coefficients of the same index, and we can multiply them by applying the distributive property, that is, by multiplying every term of the left factor with every term of the right factor and adding the results together.

To be more precise, let  $\sum_{n=0}^{m_1} a_n x^n$  and  $\sum_{n=0}^{m_2} b_n x^n$  be two polynomials from  $R[x]$ . Then the **sum** and the **product** of these polynomials is defined as follows:

$$\sum_{n=0}^{m_1} a_n x^n + \sum_{n=0}^{m_2} b_n x^n = \sum_{n=0}^{\max\{m_1, m_2\}} (a_n + b_n) x^n \quad (3.29)$$

$$\left( \sum_{n=0}^{m_1} a_n x^n \right) \cdot \left( \sum_{n=0}^{m_2} b_n x^n \right) = \sum_{n=0}^{m_1+m_2} \sum_{i=0}^n a_i b_{n-i} x^n \quad (3.30)$$

A rule for polynomial subtraction can be deduced from these two rules by first multiplying the subtrahend with (the polynomial)  $-1$  and then add the result to the minuend.

Regarding the definition of the degree of a polynomial, we see that the degree of the sum is always the maximum of the degrees of both summands, and the degree of the product is always the degree of the sum of the factors, since we defined  $-\infty + m = -\infty$  for every integer  $m \in \mathbb{Z}$ .

*Example 22.* To give an example of how polynomial arithmetic works, consider the following two integer polynomials  $P, Q \in \mathbb{Z}[x]$  with  $P(x) = 5x^2 - 4x + 2$  and  $Q(x) = x^3 - 2x^2 + 5$ . The sum of these two polynomials is computed by adding the coefficients of each term with equal exponent in  $x$ . This gives the following:

$$\begin{aligned}(P + Q)(x) &= (0 + 1)x^3 + (5 - 2)x^2 + (-4 + 0)x + (2 + 5) \\ &= x^3 + 3x^2 - 4x + 7\end{aligned}$$

The product of these two polynomials is computed by multiplying each term in the first factor with each term in the second factor. We get the following:

$$\begin{aligned}(P \cdot Q)(x) &= (5x^2 - 4x + 2) \cdot (x^3 - 2x^2 + 5) \\ &= (5x^5 - 10x^4 + 25x^2) + (-4x^4 + 8x^3 - 20x) + (2x^3 - 4x^2 + 10) \\ &= 5x^5 - 14x^4 + 10x^3 + 21x^2 - 20x + 10\end{aligned}$$

```
sage: Zx = ZZ['x'] 117
sage: P = Zx([2, -4, 5]) 118
sage: Q = Zx([5, 0, -2, 1]) 119
sage: P+Q == Zx(x^3 + 3*x^2 - 4*x + 7) 120
True 121
sage: P*Q == Zx(5*x^5 - 14*x^4 + 10*x^3 + 21*x^2 - 20*x + 10) 122
True 123
```

*Example 23.* Let us consider the polynomials of the previous example 22, but interpreted in modular 6 arithmetic. So we consider  $P, Q \in \mathbb{Z}_6[x]$  again with  $P(x) = 5x^2 - 4x + 2$  and  $Q(x) = x^3 - 2x^2 + 5$ . This time we get the following:

$$\begin{aligned}(P + Q)(x) &= (0 + 1)x^3 + (5 - 2)x^2 + (-4 + 0)x + (2 + 5) \\ &= (0 + 1)x^3 + (5 + 4)x^2 + (2 + 0)x + (2 + 5) \\ &= x^3 + 3x^2 + 2x + 1\end{aligned}$$

$$\begin{aligned}(P \cdot Q)(x) &= (5x^2 - 4x + 2) \cdot (x^3 - 2x^2 + 5) \\ &= (5x^2 + 2x + 2) \cdot (x^3 + 4x^2 + 5) \\ &= (5x^5 + 2x^4 + 1x^2) + (2x^4 + 2x^3 + 4x) + (2x^3 + 2x^2 + 4) \\ &= 5x^5 + 4x^4 + 4x^3 + 3x^2 + 4x + 4\end{aligned}$$

```
sage: Z6x = Integers(6)['x'] 124
sage: P = Z6x([2, -4, 5]) 125
```

```

sage: Q = Z6x([5, 0, -2, 1])
sage: P+Q == Z6x(x^3 +3*x^2 +2*x +1)
True
sage: P*Q == Z6x(5*x^5 +4*x^4 +4*x^3+3*x^2+4*x +4)
True

```

126

127

128

129

130

*Exercise 26.* Compare the sum  $P + Q$  and the product  $P \cdot Q$  from the previous two examples 22 and 23, and consider the definition of  $\mathbb{Z}_6$  as given in example 11. How can we derive the computations in  $\mathbb{Z}_6[x]$  from the computations in  $\mathbb{Z}[x]$ ?

### 3.4.2 Euclidean Division with polynomials

The arithmetic of polynomials shares a lot of properties with the arithmetic of integers. As a consequence, the concept of Euclidean Division and the algorithm of long division is also defined for polynomials. Recalling the Euclidean Division of integers 3.2.2, we know that, given two integers  $a$  and  $b \neq 0$ , there is always another integer  $m$  and a natural number  $r$  with  $r < |b|$  such that  $a = m \cdot b + r$  holds.

We can generalize this to polynomials whenever the leading coefficient of the dividend polynomial has a notion of multiplicative inverse. In fact, given two polynomials  $A$  and  $B \neq 0$  from  $R[x]$  such that  $Lc(B)^{-1}$  exists in  $R$ , there exist two polynomials  $Q$  (the quotient) and  $P$  (the remainder), such that the following equation holds and  $\deg(P) < \deg(B)$ :

$$A = Q \cdot B + P \quad (3.31)$$

Similarly to integer Euclidean Division, both  $Q$  and  $P$  are uniquely defined by these relations.

*Notation and Symbols 2.* Suppose that the polynomials  $A, B, Q$  and  $P$  satisfy equation 3.31. We often use the following notation to describe the quotient and the remainder polynomials of the Euclidean Division:<sup>14</sup>

$$A \operatorname{div} B := Q, \quad A \operatorname{mod} B := P \quad (3.32)$$

We also say that a polynomial  $A$  is divisible by another polynomial  $B$  if  $A \operatorname{mod} B = 0$  holds. In this case, we also write  $B|A$  and call  $B$  a *factor* of  $A$ .

Analogously to integers, methods to compute Euclidean Division for polynomials are called **polynomial division algorithms**. Probably the best known algorithm is the so-called **polynomial long division** (algorithm 3 below).

This algorithm works only when there is a notion of division by the leading coefficient of  $B$ . It can be generalized, but we will only need this somewhat simpler method in what follows.

*Example 24 (Polynomial Long Division).* To give an example of how the previous algorithm works, let us divide the integer polynomial  $A(x) = x^5 + 2x^3 - 9 \in \mathbb{Z}[x]$  by the integer polynomial  $B(x) = x^2 + 4x - 1 \in \mathbb{Z}[x]$ . Since  $B$  is not the zero polynomial, and the leading coefficient of  $B$  is 1, which is invertible as an integer, we can apply algorithm 3. Our goal is to find solutions to equation XXX, that is, we need to find the quotient polynomial  $Q \in \mathbb{Z}[x]$  and the remainder polynomial  $P \in \mathbb{Z}[x]$  such that  $x^5 + 2x^3 - 9 = Q(x) \cdot (x^2 + 4x - 1) + P(x)$ . Using a the long

<sup>14</sup>Polynomial Euclidean Division is explained in more detail in Mignotte [1992]. A detailed description of the associated algorithm can be found in chapter 3, section 1 of Cohen [2010].

**Algorithm 3** Polynomial Euclidean Algorithm**Require:**  $A, B \in R[x]$  with  $B \neq 0$ , such that  $Lc(B)^{-1}$  exists in  $R$ **procedure** POLY-LONG-DIVISION( $A, B$ ) $Q \leftarrow 0$  $P \leftarrow A$  $d \leftarrow \deg(B)$  $c \leftarrow Lc(B)$ **while**  $\deg(P) \geq d$  **do** $S := Lc(P) \cdot c^{-1} \cdot x^{\deg(P)-d}$  $Q \leftarrow Q + S$  $P \leftarrow P - S \cdot B$ **end while****return** ( $Q, P$ )**end procedure****Ensure:**  $A = Q \cdot B + P$ 

division notation that is mostly used in anglophone countries, we compute as follows:

$$\begin{array}{r}
 X^3 - 4X^2 + 19X - 80 \\
 X^2 + 4X - 1 \overline{) X^5 + 2X^3 - 9} \\
 \underline{-X^5 - 4X^4 + X^3} \phantom{- 9} \\
 -4X^4 + 3X^3 \phantom{- 9} \\
 \underline{4X^4 + 16X^3 - 4X^2} \\
 19X^3 - 4X^2 \phantom{- 9} \\
 \underline{-19X^3 - 76X^2 + 19X} \\
 -80X^2 + 19X - 9 \\
 \underline{80X^2 + 320X - 80} \\
 339X - 89
 \end{array} \tag{3.33}$$

We therefore get  $Q(x) = x^3 - 4x^2 + 19x - 80$  and  $P(x) = 339x - 89$ , and indeed, the equation  $A = Q \cdot B + P$  is true with these values, since  $x^5 + 2x^3 - 9 = (x^3 - 4x^2 + 19x - 80) \cdot (x^2 + 4x - 1) + (339x - 89)$ . We can double-check this by invoking Sage:

```

sage: Zx = ZZ['x']
sage: A = Zx([-9, 0, 0, 2, 0, 1])
sage: B = Zx([-1, 4, 1])
sage: Q = Zx([-80, 19, -4, 1])
sage: P = Zx([-89, 339])
sage: A == Q*B + P
True

```

*Example 25.* In the previous example, polynomial division gave a non-trivial (non-vanishing, i.e non-zero) remainder. Divisions that don't give a remainder are of special interest. In these cases, divisors are called **factors of the dividend**.

For example, consider the integer polynomial  $P_7$  from example 18 again. As we have shown, it can be written both as  $x^3 - 4x^2 - 11x + 30$  and as  $(x - 2)(x + 3)(x - 5)$ . From this, we can see that the polynomials  $F_1(x) = (x - 2)$ ,  $F_2(x) = (x + 3)$  and  $F_3(x) = (x - 5)$  are all factors

of  $x^3 - 4x^2 - 11x + 30$ , since the division of  $P_7$  by any of these factors will result in a zero remainder.

*Exercise 27.* Consider the polynomial expressions  $A(x) := -3x^4 + 4x^3 + 2x^2 + 4$  and  $B(x) = x^2 - 4x + 2$ . Compute the Euclidean Division of  $A$  by  $B$  in the following types:

1.  $A, B \in \mathbb{Z}[x]$
2.  $A, B \in \mathbb{Z}_6[x]$
3.  $A, B \in \mathbb{Z}_5[x]$

Now consider the result in  $\mathbb{Z}[x]$  and in  $\mathbb{Z}_6[x]$ . How can we compute the result in  $\mathbb{Z}_6[x]$  from the result in  $\mathbb{Z}[x]$ ?

*Exercise 28.* Show that the polynomial  $B(x) = 2x^4 - 3x + 4 \in \mathbb{Z}_5[x]$  is a factor of the polynomial  $A(x) = x^7 + 4x^6 + 4x^5 + x^3 + 2x^2 + 2x + 3 \in \mathbb{Z}_5[x]$ , that is, show that  $B|A$ . What is  $A \text{ div } B$ ?

### 3.4.3 Prime Factors

Recall that the fundamental theorem of arithmetic 3.6 tells us that every natural number is the product of prime numbers. In this chapter, we will see that something similar holds for univariate polynomials  $R[x]$ , too.<sup>15 16</sup>

The polynomial analog to a prime number is a so-called **irreducible polynomial**, which is defined as a polynomial that cannot be factored into the product of two non-constant polynomials using Euclidean Division. Irreducible polynomials are to polynomials what prime numbers are to integers: they are the basic building blocks from which all other polynomials can be constructed.

To be more precise, let  $P \in R[x]$  be any polynomial. Then there always exist irreducible polynomials  $F_1, F_2, \dots, F_k \in R[x]$ , such that the following holds:

$$P = F_1 \cdot F_2 \cdot \dots \cdot F_k. \quad (3.34)$$

This representation is unique (except for permutations in the factors) and is called the **prime factorization** of  $P$ . Moreover, each factor  $F_i$  is called a **prime factor** of  $P$ .

*Example 26.* Consider the polynomial expression  $P = x^2 - 3$ . When we interpret  $P$  as an integer polynomial  $P \in \mathbb{Z}[x]$ , we find that this polynomial is irreducible, since any factorization other than  $1 \cdot (x^2 - 3)$ , must look like  $(x - a)(x + a)$  for some integer  $a$ , but there is no integers  $a$  with  $a^2 = 3$ .

```

sage: Zx = ZZ['x']
sage: p = Zx(x^2-3)
sage: p.factor()
x^2 - 3

```

138  
139  
140  
141

On the other hand, interpreting  $P$  as a polynomial  $P \in \mathbb{Z}_6[x]$  in modulo 6 arithmetic, we see that  $P$  has two factors  $F_1 = (x - 3)$  and  $F_2 = (x + 3)$ , since  $(x - 3)(x + 3) = x^2 - 3x + 3x - 3 \cdot 3 = x^2 - 3$ .

<sup>15</sup>Strictly speaking, this is not true for polynomials over arbitrary types  $R$ . However, in this book, we assume  $R$  to be a so-called unique factorization domain for which the content of this section holds.

<sup>16</sup>A more detailed description can be found in chapter 3, section 4 of Mignotte [1992].



Points where a polynomial evaluates to zero are called **roots** of the polynomial. To be more precise, let  $P \in R[x]$  be a polynomial. Then a root is a point  $x_0 \in R$  with  $P(x_0) = 0$  and the set of all roots of  $P$  is defined as follows:

$$R_0(P) := \{x_0 \in R \mid P(x_0) = 0\} \quad (3.35)$$

The roots of a polynomial are of special interest with respect to its prime factorization, since it can be shown that, for any given root  $x_0$  of  $P$ , the polynomial  $F(x) = (x - x_0)$  is a prime factor of  $P$ . A root  $x_0$  of a polynomial  $P$  is said to have a **multiplicity** of  $k$  if the polynomial  $(x - x_0)^k$  is a factor of  $P$ , that is if there is a polynomial  $Q$  such that we can write  $P$  as

$$P(x) = (x - x_0)^k \cdot Q(x) \quad (3.36)$$

Finding the roots of a polynomial is sometimes called **solving the polynomial**. It is a difficult problem that has been the subject of much research throughout history.

It can be shown that if  $m$  is the degree of a polynomial  $P$ , then  $P$  cannot have more than  $m$  roots. However, in general, polynomials can have less than  $m$  roots.

*Example 27.* Consider the integer polynomial  $P_7(x) = x^3 - 4x^2 - 11x + 30$  from example 18 again. We know that its set of roots is given by  $R_0(P_7) = \{-3, 2, 5\}$ .

On the other hand, we know from example 26 that the integer polynomial  $x^2 - 3$  is irreducible. It follows that it has no roots, since every root defines a prime factor.

*Example 28.* To give another example, consider the integer polynomial  $P = x^7 + 3x^6 + 3x^5 + x^4 - x^3 - 3x^2 - 3x - 1$ . We can use Sage to compute the roots and prime factors of  $P$ :

```
sage: Zx = ZZ['x'] 142
sage: p = Zx(x^7 + 3*x^6 + 3*x^5 + x^4 - x^3 - 3*x^2 - 3*x - 1) 143
sage: p.roots() 144
[(1, 1), (-1, 4)] 145
sage: p.factor() 146
(x - 1) * (x + 1)^4 * (x^2 + 1) 147
```

We see that  $P$  has the root 1, and that the associated prime factor  $(x - 1)$  occurs once in  $P$ . We can also see that  $P$  has the root  $-1$ , where the associated prime factor  $(x + 1)$  occurs 4 times in  $P$ . This gives the following prime factorization:

$$P = (x - 1)(x + 1)^4(x^2 + 1)$$

*Exercise 29.* Show that if the sum of the multiplicity of all roots of a polynomial  $P \in R[x]$  of degree  $\deg(P) = m$  is less than  $m$ , the polynomial must have a prime factor  $F$  of degree  $\deg(F) > 1$ .

*Exercise 30.* Consider the polynomial  $P = x^7 + 3x^6 + 3x^5 + x^4 - x^3 - 3x^2 - 3x - 1 \in \mathbb{Z}_6[x]$ . Compute the set of all roots of  $R_0(P)$  and then compute the prime factorization of  $P$ .

### 3.4.4 Lagrange Interpolation

One particularly useful property of polynomials is that a polynomial of degree  $m$  is completely determined on  $m + 1$  evaluation points, which implies that we can uniquely derive a polynomial of degree  $m$  from a set  $S$ :

$$S = \{(x_0, y_0), (x_1, y_1), \dots, (x_m, y_m) \mid x_i \neq x_j \text{ for all indices } i \text{ and } j\} \quad (3.37)$$

Polynomials therefore have the property that  $m + 1$  pairs of points  $(x_i, y_i)$  for  $x_i \neq x_j$  are enough to determine the set of pairs  $(x, P(x))$  for all  $x \in R$ . This “few too many” property of polynomials is widely used, including in SNARKs. Therefore, we need to understand the method to actually compute a polynomial from a set of points.

If the coefficients of the polynomial we want to find have a notion of multiplicative inverse, it is always possible to find such a polynomial using a method called **Lagrange Interpolation**, which works as follows. Given a set like 3.37, a polynomial  $P$  of degree  $m$  with  $P(x_i) = y_i$  for all pairs  $(x_i, y_i)$  from  $S$  is given by algorithm 4 below.

---

**Algorithm 4** Lagrange Interpolation
 

---

**Require:**  $R$  must have multiplicative inverses

**Require:**  $S = \{(x_0, y_0), (x_1, y_1), \dots, (x_m, y_m) \mid x_i, y_i \in R, x_i \neq x_j \text{ for all indices } i \text{ and } j\}$

**procedure** LAGRANGE-INTERPOLATION( $S$ )

**for**  $j \in (0 \dots m)$  **do**

$$l_j(x) \leftarrow \prod_{i=0; i \neq j}^m \frac{x - x_i}{x_j - x_i} = \frac{(x - x_0)}{(x_j - x_0)} \dots \frac{(x - x_{j-1})}{(x_j - x_{j-1})} \frac{(x - x_{j+1})}{(x_j - x_{j+1})} \dots \frac{(x - x_m)}{(x_j - x_m)}$$

**end for**

$$P \leftarrow \sum_{j=0}^m y_j \cdot l_j$$

**return**  $P$

**end procedure**

**Ensure:**  $P \in R[x]$  with  $\deg(P) = m$

**Ensure:**  $P(x_j) = y_j$  for all pairs  $(x_j, y_j) \in S$

---

*Example 29.* Let us consider the set  $S = \{(0, 4), (-2, 1), (2, 3)\}$ . Our task is to compute a polynomial of degree 2 in  $\mathbb{Q}[x]$  with coefficients from the set of rational numbers  $\mathbb{Q}$ . Since  $\mathbb{Q}$  has multiplicative inverses, we can use method of Lagrange Interpolation from Algorithm 4 to compute the polynomial:

$$\begin{aligned} l_0(x) &= \frac{x - x_1}{x_0 - x_1} \cdot \frac{x - x_2}{x_0 - x_2} = \frac{x + 2}{0 + 2} \cdot \frac{x - 2}{0 - 2} = -\frac{(x + 2)(x - 2)}{4} \\ &= -\frac{1}{4}(x^2 - 4) \\ l_1(x) &= \frac{x - x_0}{x_1 - x_0} \cdot \frac{x - x_2}{x_1 - x_2} = \frac{x - 0}{-2 - 0} \cdot \frac{x - 2}{-2 - 2} = \frac{x(x - 2)}{8} \\ &= \frac{1}{8}(x^2 - 2x) \\ l_2(x) &= \frac{x - x_0}{x_2 - x_0} \cdot \frac{x - x_1}{x_2 - x_1} = \frac{x - 0}{2 - 0} \cdot \frac{x + 2}{2 + 2} = \frac{x(x + 2)}{8} \\ &= \frac{1}{8}(x^2 + 2x) \\ P(x) &= 4 \cdot \left(-\frac{1}{4}(x^2 - 4)\right) + 1 \cdot \frac{1}{8}(x^2 - 2x) + 3 \cdot \frac{1}{8}(x^2 + 2x) \\ &= -x^2 + 4 + \frac{1}{8}x^2 - \frac{1}{4}x + \frac{3}{8}x^2 + \frac{3}{4}x \\ &= -\frac{1}{2}x^2 + \frac{1}{2}x + 4 \end{aligned}$$

And, indeed, evaluation of  $P$  on the  $x$ -values of  $S$  gives the correct points, since  $P(0) = 4$ ,  $P(-2) = 1$  and  $P(2) = 3$ . Sage confirms this result:

```

sage: Qx = QQ['x'] 148
sage: S=[(0,4), (-2,1), (2,3)] 149
sage: Qx.lagrange_polynomial(S) 150
-1/2*x^2 + 1/2*x + 4 151

```

*Example 30.* To give another example more relevant to the topics of this book, let us consider the same set as in the previous example,  $S = \{(0,4), (-2,1), (2,3)\}$ . This time, the task is to compute a polynomial  $P \in \mathbb{Z}_5[x]$  from this data. Since we know from example 16 that multiplicative inverses exist in  $\mathbb{Z}_5$ , algorithm 4 is applicable and we can compute a unique polynomial of degree 2 in  $\mathbb{Z}_5[x]$  from  $S$ . We can use the lookup tables from (3.25) for computations in  $\mathbb{Z}_5$  and get the following:

$$\begin{aligned}
 l_0(x) &= \frac{x-x_1}{x_0-x_1} \cdot \frac{x-x_2}{x_0-x_2} = \frac{x+2}{0+2} \cdot \frac{x-2}{0-2} = \frac{(x+2)(x-2)}{-4} = \frac{(x+2)(x+3)}{1} \\
 &= x^2 + 1 \\
 l_1(x) &= \frac{x-x_0}{x_1-x_0} \cdot \frac{x-x_2}{x_1-x_2} = \frac{x-0}{-2-0} \cdot \frac{x-2}{-2-2} = \frac{x}{3} \cdot \frac{x+3}{1} = 2(x^2 + 3x) \\
 &= 2x^2 + x \\
 l_2(x) &= \frac{x-x_0}{x_2-x_0} \cdot \frac{x-x_1}{x_2-x_1} = \frac{x-0}{2-0} \cdot \frac{x+2}{2+2} = \frac{x(x+2)}{3} = 2(x^2 + 2x) \\
 &= 2x^2 + 4x \\
 P(x) &= 4 \cdot (x^2 + 1) + 1 \cdot (2x^2 + x) + 3 \cdot (2x^2 + 4x) \\
 &= 4x^2 + 4 + 2x^2 + x + x^2 + 2x \\
 &= 2x^2 + 3x + 4
 \end{aligned}$$

And, indeed, evaluation of  $P$  on the  $x$ -values of  $S$  gives the correct points, since  $P(0) = 4$ ,  $P(-2) = 1$  and  $P(2) = 3$ . We can double check our findings using Sage:

```

sage: F5 = GF(5) 152
sage: F5x = F5['x'] 153
sage: S=[(0,4), (-2,1), (2,3)] 154
sage: F5x.lagrange_polynomial(S) 155
2*x^2 + 3*x + 4 156

```

*Exercise 31.* Consider modular 5 arithmetic from example 16, and the set  $S = \{(0,0), (1,1), (2,2), (3,2)\}$ . Find a polynomial  $P \in \mathbb{Z}_5[x]$  such that  $P(x_i) = y_i$  for all  $(x_i, y_i) \in S$ .

*Exercise 32.* Consider the set  $S$  from the previous example. Why is it not possible to apply algorithm 4 to construct a polynomial  $P \in \mathbb{Z}_6[x]$  such that  $P(x_i) = y_i$  for all  $(x_i, y_i) \in S$ ?

# Chapter 4

## Algebra

In the previous chapter, we gave an introduction to the basic computational tools needed for a pen-and-paper approach to SNARKs. In this chapter, we provide a more abstract clarification of relevant mathematical terminology such as **groups**, **rings** and **fields**.

Scientific literature on cryptography frequently contains such terms, and it is necessary to get at least some understanding of these terms to be able to follow the literature.

### 4.1 Commutative Groups

Commutative groups are abstractions that capture the essence of mathematical phenomena, like addition and subtraction, or multiplication and division.

To understand commutative groups, let us think back to when we learned about the addition and subtraction of integers in school. We have learned that, whenever we add two integers, the result is guaranteed to be an integer as well. We have also learned that adding zero to any integer means that “nothing happens” since the result of the addition is the same integer we started with. Furthermore, we have learned that the order in which we add two (or more) integers does not matter, that brackets have no influence on the result of addition, and that, for every integer, there is always another integer (the negative) such that we get zero when we add them together.

These conditions are the defining properties of a commutative group, and mathematicians have realized that the exact same set of rules can be found in very different mathematical structures. It therefore makes sense to give an abstract, formal definition of what a group should be, detached from any concrete examples such as integers. This lets us handle entities of very different mathematical origins in a flexible way, while retaining essential structural aspects of many objects in abstract algebra and beyond.

Distilling these rules to the smallest independent list of properties and making them abstract, we arrive at the following definition of a commutative group:

revise the counter for definitions, current one too long

*Definition 4.1.0.1.* A **commutative group**  $(\mathbb{G}, \cdot)$  consists of a set  $\mathbb{G}$  and a **map**  $\cdot : \mathbb{G} \times \mathbb{G} \rightarrow \mathbb{G}$ . The map is called the **group law**, and it combines two elements of the set  $\mathbb{G}$  into a third one such that the following properties hold:

- **Commutativity:** For all  $g_1, g_2 \in \mathbb{G}$ , the equation  $g_1 \cdot g_2 = g_2 \cdot g_1$  holds.
- **Associativity:** For every  $g_1, g_2, g_3 \in \mathbb{G}$  the equation  $g_1 \cdot (g_2 \cdot g_3) = (g_1 \cdot g_2) \cdot g_3$  holds.
- **Existence of a neutral element:** For every  $g \in \mathbb{G}$ , there is an  $e \in \mathbb{G}$  such that  $e \cdot g = g$ .

- **Existence of an inverse:** For every  $g \in \mathbb{G}$ , there is an  $g^{-1} \in \mathbb{G}$  such that  $g \cdot g^{-1} = e$ .

If  $(\mathbb{G}, \cdot)$  is a group, and  $\mathbb{G}' \subset \mathbb{G}$  is a subset of  $\mathbb{G}$  such that the **restriction** of the group law  $\cdot : \mathbb{G}' \times \mathbb{G}' \rightarrow \mathbb{G}'$  is a group law on  $\mathbb{G}'$ , then  $(\mathbb{G}', \cdot)$  is called a **subgroup** of  $(\mathbb{G}, \cdot)$ .

Rephrasing the abstract definition in layman's terms, a group is something where we can do computations in a way that resembles the behavior of the addition of integers. Specifically, this means we can combine some element with another element into a new element in a way that is reversible and where the order of combining elements doesn't matter.

*Notation and Symbols 3.* Since we are exclusively concerned with commutative groups in this book, we often just call them groups, keeping the notation of commutativity implicit.<sup>1</sup>

If there is no risk of ambiguity (about what the group law of a group is), we frequently drop the symbol  $\cdot$  and simply write  $\mathbb{G}$  as notation for the group, keeping the group law implicit. In this case we also say that  $\mathbb{G}$  is of group type, indicating that  $\mathbb{G}$  is not simply a set but a set together with a group law.

*Notation and Symbols 4 (Additive notation).* For commutative groups  $(\mathbb{G}, \cdot)$ , we sometimes use the so-called **additive notation**  $(\mathbb{G}, +)$ , that is, we write  $+$  instead of  $\cdot$  for the group law,  $0$  for the neutral element and  $-g := g^{-1}$  for the inverse of an element  $g \in \mathbb{G}$ .

As we will see in the following chapters, groups are heavily used in cryptography and in SNARKs.<sup>2</sup> But let us look at some more familiar examples first.

*Example 31 (Integer Addition and Subtraction).* The set  $(\mathbb{Z}, +)$  of integers with integer addition is the archetypical example of a commutative group, where the group law is traditionally written in additive notation (notation 4).

To compare integer addition against the abstract axioms of a commutative group, we first note that integer addition is **commutative and associative**, since  $a + b = b + a$  as well as  $(a + b) + c = a + (b + c)$  for all integers  $a, b, c \in \mathbb{Z}$ . The **neutral element**  $e$  is the number  $0$ , since  $a + 0 = a$  for all integers  $a \in \mathbb{Z}$ . Furthermore, the **inverse** of a number is its negative counterpart, since  $a + (-a) = 0$  for all  $a \in \mathbb{Z}$ . This implies that integers with addition are indeed a commutative group in the abstract sense.

To give an example of a subgroup of the group of integers, consider the set of even numbers, including  $0$ .

$$\mathbb{Z}_{\text{even}} := \{\dots, -4, -2, 0, 2, 4, \dots\}$$

We can see that this set is a subgroup of  $(\mathbb{Z}, +)$ , since the sum of two even numbers is always an even number again, since the neutral element  $0$  is a member of  $\mathbb{Z}_{\text{even}}$  and since the negative of an even number is itself an even number.

*Example 32 (The trivial group).* The most basic example of a commutative group is the group with just one element  $\{\bullet\}$  and the group law  $\bullet \cdot \bullet = \bullet$ . We call it the **trivial group**.

The trivial group is a subgroup in any group. To see that, let  $(\mathbb{G}, \cdot)$  be a group with the neutral element  $e \in \mathbb{G}$ . Then  $e \cdot e = e$  as well as  $e^{-1} = e$  both hold. Consequently, the set  $\{e\}$  is a subgroup of  $\mathbb{G}$ . In particular,  $\{0\}$  is a subgroup of  $(\mathbb{Z}, +)$ , since  $0 + 0 = 0$ .

<sup>1</sup>Commutative groups are also called **Abelian groups**. A set  $\mathbb{G}$  with a map  $\cdot$  that satisfies all previously mentioned rules except for the commutativity law is called a **non-commutative group**.

<sup>2</sup>A more in-depth introduction to commutative groups can be found for example in chapter 1, section 1 of Lidl and Niederreiter [1986] or in chapter 1 of Fuchs [2015]. An introduction more tailored to the needs in cryptography can be found for example in chapter 3, section 8.1.3 of Katz and Lindell [2007].

*Example 33.* Consider addition in modulo 6 arithmetics  $(\mathbb{Z}_6, +)$ , as defined in in example 11. As we see, the remainder 0 is the neutral element in modulo 6 addition, and the inverse of a remainder  $r$  is given by  $6 - r$ , because  $r + (6 - r) = 6$ . 6 is congruent to 0 since  $6 \bmod 6 = 0$ . Moreover,  $r_1 + r_2 = r_2 + r_1$  as well as  $(r_1 + r_2) + r_3 = r_1 + (r_2 + r_3)$  are inherited from integer addition. We therefore see that  $(\mathbb{Z}_6, +)$  is a group.

The previous example of a commutative group is a very important one for this book. Abstracting from this example and considering residue classes  $(\mathbb{Z}_n, +)$  for arbitrary moduli  $n$ , it can be shown that  $(\mathbb{Z}_n, +)$  is a commutative group with the neutral element 0 and the additive inverse  $n - r$  for any element  $r \in \mathbb{Z}_n$ . We call such a group the **remainder class group** of modulus  $n$ .

*Exercise 33.* Consider example 16 again, and let  $\mathbb{Z}_5^*$  be the set of all remainder classes from  $\mathbb{Z}_5$  without the class 0. Then  $\mathbb{Z}_5^* = \{1, 2, 3, 4\}$ . Show that  $(\mathbb{Z}_5^*, \cdot)$  is a commutative group.

*Exercise 34.* Generalizing the previous exercise, consider the general modulus  $n$ , and let  $\mathbb{Z}_n^*$  be the set of all remainder classes from  $\mathbb{Z}_n$  without the class 0. Then  $\mathbb{Z}_n^* = \{1, 2, \dots, n - 1\}$ . Provide a counter-example to show that  $(\mathbb{Z}_n^*, \cdot)$  is not a group in general.

Find a condition such that  $(\mathbb{Z}_n^*, \cdot)$  is a commutative group, compute the neutral element, give a closed form for the inverse of any element and prove the commutative group axioms.

### 4.1.1 Finite groups

As we have seen in the previous examples, groups can either contain infinitely many elements (such as integers) or finitely many elements (as for example the remainder class groups  $(\mathbb{Z}_n, +)$ ). To capture this distinction, a group is called a **finite group** if the underlying set of elements is finite. In that case, the number of elements of that group is called its **order**.<sup>3</sup>

*Notation and Symbols 5.* Let  $\mathbb{G}$  be a finite group. We write  $ord(\mathbb{G})$  or  $|\mathbb{G}|$  for the order of  $\mathbb{G}$ .

*Example 34.* Consider the remainder class groups  $(\mathbb{Z}_6, +)$  from example 11, the group  $(\mathbb{Z}_5, +)$  from example 16, and the group  $(\mathbb{Z}_5^*, \cdot)$  from exercise 33. We can easily see that the order of  $(\mathbb{Z}_6, +)$  is 6, the order of  $(\mathbb{Z}_5, +)$  is 5 and the order of  $(\mathbb{Z}_5^*, \cdot)$  is 4.

*Exercise 35.* Let  $n \in \mathbb{N}$  with  $n \geq 2$  be some modulus. What is the order of the remainder class group  $(\mathbb{Z}_n, +)$ ?

### 4.1.2 Generators

Listing the set of elements of a group can be complicated, and it is not always obvious how to actually compute elements of a given group. From a practical point of view, it is therefore desirable to have groups with a **generator set**. This is a small subset of elements from which all other elements can be generated by applying the group law repeatedly to only the elements of the generator set and/or their inverses.

Of course, every group  $\mathbb{G}$  has a trivial set of generators, when we just consider every element of the group to be in the generator set. The more interesting question is to find smallest possible generator set for a given group. Of particular interest in this regard are groups that have a generator set that contains a single element only. In this case, there exists a (not necessarily unique) element  $g \in \mathbb{G}$  such that every other element from  $\mathbb{G}$  can be computed by the repeated combination of  $g$  and its inverse  $g^{-1}$  only.

<sup>3</sup>An introduction to finite groups is given in chapter 1 of Fuchs [2015]. An introduction from the perspective of cryptography can be found in chapter 3, section 8.3.1 of Katz and Lindell [2007].

**Definition 4.1.2.1 (Cyclic groups).** Groups with single, not necessarily unique, generators are called **cyclic groups** and any element  $g \in \mathbb{G}$  that is able to generate  $\mathbb{G}$  is called a **generator**.

*Example 35.* The most basic example of a cyclic group is the group of integers with integer addition  $(\mathbb{Z}, +)$ . In this case, the number 1 is a generator of  $\mathbb{Z}$ , since every integer can be obtained by repeatedly adding either 1 or its inverse  $-1$  to itself. For example,  $-4$  is generated by 1, since  $-4 = -1 + (-1) + (-1) + (-1)$ . Another generator of  $\mathbb{Z}$  is the number  $-1$ .

*Example 36.* Consider the group  $(\mathbb{Z}_5^*, \cdot)$  from exercise 33. Since  $2^1 = 2, 2^2 = 4, 2^3 = 3$  and  $2^4 = 1$ , the element 2 is a generator of  $(\mathbb{Z}_5^*, \cdot)$ . Moreover, since  $3^1 = 3, 3^2 = 4, 3^3 = 2$  and  $3^4 = 1$ , the element 3 is another generator of  $(\mathbb{Z}_5^*, \cdot)$ . Cyclic groups can therefore have more than one generator. However since  $4^1 = 4, 4^2 = 1, 4^3 = 4$  and in general  $4^k = 4$  for  $k$  odd and  $4^k = 1$  for  $k$  even the element 4 is not a generator of  $(\mathbb{Z}_5^*, \cdot)$ . It follows that in general not every element of a finite cyclic group is a generator.

*Example 37.* Consider a modulus  $n$  and the remainder class groups  $(\mathbb{Z}_n, +)$  from exercise 35. These groups are cyclic, with generator 1, since every other element of that group can be constructed by repeatedly adding the remainder class 1 to itself. Since  $\mathbb{Z}_n$  is also finite, we know that  $(\mathbb{Z}_n, +)$  is a finite cyclic group of order  $n$ .

*Exercise 36.* Consider the group  $(\mathbb{Z}_6, +)$  of modular 6 addition from example 11. Show that  $5 \in \mathbb{Z}_6$  is a generator, and then show that  $2 \in \mathbb{Z}_6$  is not a generator.

*Exercise 37.* Let  $p \in \mathbb{P}$  be prime number and  $(\mathbb{Z}_p^*, \cdot)$  the finite group from exercise 34. Show that  $(\mathbb{Z}_p^*, \cdot)$  is cyclic.

### 4.1.3 The exponential map

Observe that, when  $\mathbb{G}$  is a cyclic group of order  $n$  and  $g \in \mathbb{G}$  is a generator of  $\mathbb{G}$ , then there exists a so-called **exponential map**, which maps the additive group law of the remainder class group  $(\mathbb{Z}_n, +)$  onto the group law of  $\mathbb{G}$  in a one-to-one correspondence. The exponential map can be formalized as in (4.1) below (where  $g^x$  means “multiply  $g$  by itself  $x$  times” and  $g^0 = e_{\mathbb{G}}$ ).

$$g^{(\cdot)} : \mathbb{Z}_n \rightarrow \mathbb{G} ; x \mapsto g^x \quad (4.1)$$

To see how the exponential map works, first observe that, since  $g^0 := e_{\mathbb{G}}$  by definition, the neutral element of  $\mathbb{Z}_n$  is mapped to the neutral element of  $\mathbb{G}$ . Furthermore, since  $g^{x+y} = g^x \cdot g^y$ , the map respects the group law.

*Notation and Symbols 6 (Scalar multiplication).* If a group  $(\mathbb{G}, +)$  is written in additive notation (notation 4), then the exponential map is often called **scalar multiplication**, and written as follows:

$$(\cdot) \cdot g : \mathbb{Z}_n \rightarrow \mathbb{G} ; x \mapsto x \cdot g \quad (4.2)$$

In this notation, the symbol  $x \cdot g$  is defined as “add the generator  $g$  to itself  $x$  times” and the symbol  $0 \cdot g$  is defined to be the neutral element in  $\mathbb{G}$ .

Cryptographic applications often utilize finite cyclic groups of a very large order  $n$ , which means that computing the exponential map by repeated multiplication of the generator with itself is infeasible for very large remainder classes.<sup>4</sup> Algorithm 5, called **square and multiply**, solves this problem by computing the exponential map in approximately  $k$  steps, where  $k$  is the bit length of the exponent (3.13):

<sup>4</sup>However, methods for fast exponentiations have been known for a long time. A detailed introduction can be found, for example, in chapter 1, section 7 of Mignotte [1992].

**Algorithm 5** Cyclic Group Exponentiation**Require:**  $g$  group generator of order  $n$ **Require:**  $x \in \mathbb{Z}_n$ **procedure** EXPONENTIATION( $g, x$ )Let  $(b_0, \dots, b_k)$  be a binary representation of  $x$  ▷ see example XXX $h \leftarrow g$  $y \leftarrow e_{\mathbb{G}}$ **for**  $0 \leq j < k$  **do**  **if**  $b_j = 1$  **then**     $y \leftarrow y \cdot h$  ▷ multiply  **end if**     $h \leftarrow h \cdot h$  ▷ square**end for****return**  $y$ **end procedure****Ensure:**  $y = g^x$ 

Because the exponential map respects the group law, it doesn't matter if we do our computation in  $\mathbb{Z}_n$  before we write the result into the exponent of  $g$  or afterwards: the result will be the same in both cases. The latter method is usually referred to as doing computations "in the exponent". In cryptography in general, and in SNARK development in particular, we often perform computations "in the exponent" of a generator.

*Example 38.* Consider the multiplicative group  $(\mathbb{Z}_5^*, \cdot)$  from exercise 33. We know from 37 that  $\mathbb{Z}_5^*$  is a cyclic group of order 4, and that the element  $3 \in \mathbb{Z}_5^*$  is a generator. This means that we also know that the following map respects the group law of addition in  $\mathbb{Z}_4$  and the group law of multiplication in  $\mathbb{Z}_5^*$ :

$$3^{(\cdot)} : \mathbb{Z}_4 \rightarrow \mathbb{Z}_5^* ; x \mapsto 3^x$$

To do an example computation "in the exponent" of 3, let's perform the calculation  $1 + 3 + 2$  in the exponent of the generator 3:

$$3^{1+3+2} = 3^2 \tag{4.3}$$

$$= 4 \tag{4.4}$$

In (4.3) above, we first performed the computation  $1 + 3 + 2$  in the remainder class group  $(\mathbb{Z}_4, +)$  and then applied the exponential map  $3^{(\cdot)}$  to the result in (4.4).

However, since the exponential map (4.1) respects the group law, we also could map each summand into  $(\mathbb{Z}_5^*, \cdot)$  first and then apply the group law of  $(\mathbb{Z}_5^*, \cdot)$ . The result is guaranteed to be the same:

$$3^1 \cdot 3^3 \cdot 3^2 = 3 \cdot 2 \cdot 4$$

$$= 1 \cdot 4$$

$$= 4$$

Since the exponential map (4.1) is a one-to-one correspondence that respects the group law, it can be shown that this map has an inverse with respect to the base  $g$ , called the **base  $g$  discrete logarithm map**:

$$\log_g(\cdot) : \mathbb{G} \rightarrow \mathbb{Z}_n \quad x \mapsto \log_g(x) \tag{4.5}$$



Discrete logarithms are highly important in cryptography, because there are finite cyclic groups where the exponential map is believed to be a one-way function, which informally means that computing the exponential map is fast, while computing the logarithm map is slow (We will look into a more precise definition in 4.1.6).

*Example 39.* Consider the exponential map  $3^{(\cdot)}$  from example 38. Its inverse is the discrete logarithm to the base 3, given by the map below:

$$\log_3(\cdot) : \mathbb{Z}_5^* \rightarrow \mathbb{Z}_4 \quad x \mapsto \log_3(x)$$

In contrast to the exponential map  $3^{(\cdot)}$ , we have no way to actually compute this map, other than by trying all elements of the group until we find the correct one. For example, in order to compute  $\log_3(4)$ , we have to find some  $x \in \mathbb{Z}_4$  such that  $3^x = 4$ , and all we can do is repeatedly insert elements  $x$  into the exponent of 3 until the result is 4. To do this, let's write down all the images of  $3^{(\cdot)}$ :

$$3^0 = 1, \quad 3^1 = 3, \quad 3^2 = 4, \quad 3^3 = 2$$

Since the discrete logarithm  $\log_3(\cdot)$  is defined as the inverse to this function, we can use those images to compute the discrete logarithm:

$$\log_3(1) = 0, \quad \log_3(2) = 3, \quad \log_3(3) = 1, \quad \log_3(4) = 2$$

Note that this computation was only possible because we were able to write down all images of the exponential map. However, in real world applications the groups in consideration are too large to write down the images of the exponential map.

*Exercise 38 (Efficient Scalar Multiplication).* Let  $(\mathbb{G}, +)$  be a finite cyclic group of order  $n$ . Consider algorithm 5 and define its analog for groups in additive notation.

### 4.1.4 Factor Groups

As we know from the fundamental theorem of arithmetic (3.6), every natural number  $n$  is a product of factors, the most basic of which are prime numbers. This parallels subgroups of finite cyclic groups in an interesting way.

*Definition 4.1.4.1 (The fundamental theorem of finite cyclic groups).* If  $\mathbb{G}$  is a finite cyclic group of order  $n$ , then every subgroup  $\mathbb{G}'$  of  $\mathbb{G}$  is finite and cyclic, and the order of  $\mathbb{G}'$  is a factor of  $n$ . Moreover for each factor  $k$  of  $n$ ,  $\mathbb{G}$  has exactly one subgroup of order  $k$ .

*Notation and Symbols 7.* If  $\mathbb{G}$  is a finite cyclic group of order  $n$  and  $k$  is a factor of  $n$ , then we write  $\mathbb{G}[k]$  for the unique finite cyclic group which is the order  $k$  subgroup of  $\mathbb{G}$ , and call it a **factor group** of  $\mathbb{G}$ .

One particularly interesting situation occurs if the order of a given finite cyclic group is a prime number. As we know from the fundamental theorem of arithmetics (3.6), prime numbers have only two factors: the number 1 and the prime number itself. It then follows from the fundamental theorem of finite cyclic groups (definition 4.1.4.1) that those groups have no subgroups other than the trivial group (example 32) and the group itself.

Cryptographic protocols often assume the existence of finite cyclic groups of prime order. However some real-world implementations of those protocols are not defined on prime order groups, but on groups where the order consist of a (usually large) prime number that has small cofactors (see notation 1). In this case, a method called **cofactor clearing** has to be applied to ensure that the computations are not done in the group itself but in its (large) prime order subgroup.

To understand cofactor clearing in detail, let  $\mathbb{G}$  be a finite cyclic group of order  $n$ , and let  $k$  be a factor of  $n$  with associated factor group  $\mathbb{G}[k]$ . We can project any element  $g \in \mathbb{G}[k]$  onto the neutral element  $e$  of  $\mathbb{G}$  by multiplying  $g$   $k$ -times with itself:

$$g^k = e \quad (4.6)$$

Consequently, if  $c := n \operatorname{div} k$  is the cofactor of  $k$  in  $n$ , then any element from the full group  $g \in \mathbb{G}$  can be projected into the factor group  $\mathbb{G}[k]$  by multiplying  $g$   $c$ -times with itself. This defines the following map, which is often called **cofactor clearing** in cryptographic literature:

$$(\cdot)^c : \mathbb{G} \rightarrow \mathbb{G}[k] : g \mapsto g^c \quad (4.7)$$

*Example 40.* Consider the finite cyclic group  $(\mathbb{Z}_5^*, \cdot)$  from example 36. Since the order of  $\mathbb{Z}_5^*$  is 4, and 4 has the factors 1, 2 and 4, it follows from the fundamental theorem of finite cyclic groups (definition 4.1.4.1) that  $\mathbb{Z}_5^*$  has 3 unique subgroups. In fact, the unique subgroup  $\mathbb{Z}_5^*[1]$  of order 1 is given by the trivial group  $\{1\}$  that contains only the multiplicative neutral element 1. The unique subgroup  $\mathbb{Z}_5^*[4]$  of order 4 is  $\mathbb{Z}_5^*$  itself, since, by definition, every group is trivially a subgroup of itself. The unique subgroup  $\mathbb{Z}_5^*[2]$  of order 2 is more interesting, and is given by the set  $\mathbb{Z}_5^*[2] = \{1, 4\}$ .

Since  $\mathbb{Z}_5^*$  is not a prime order group, and, since the only prime factor of 4 is 2, the “large” prime order subgroup of  $\mathbb{Z}_5^*$  is  $\mathbb{Z}_5^*[2]$ . Moreover, since the cofactor of 2 in 4 is also 2, we get the cofactor clearing map  $(\cdot)^2 : \mathbb{Z}_5^* \rightarrow \mathbb{Z}_5^*[2]$ . As expected, when we apply this map to all elements of  $\mathbb{Z}_5^*$ , we see that it maps onto the elements of  $\mathbb{Z}_5^*[2]$  only:

$$1^2 = 1 \quad 2^2 = 4 \quad 3^2 = 4 \quad 4^2 = 1 \quad (4.8)$$

We can therefore use this map to “clear the cofactor” of any element from  $\mathbb{Z}_5^*$ , which means that the element is projected onto the “large” prime order subgroup  $\mathbb{Z}_5^*[2]$ .

*Exercise 39.* Consider the previous example 40, and show that  $\mathbb{Z}_5^*[2]$  is a commutative group.

*Exercise 40.* Consider the finite cyclic group  $(\mathbb{Z}_6, +)$  of modular 6 addition from example 36. Describe all subgroups of  $(\mathbb{Z}_6, +)$ . Identify the large prime order subgroup of  $\mathbb{Z}_6$ , define its cofactor clearing map and apply that map to all elements of  $\mathbb{Z}_6$ .

*Exercise 41.* Let  $(\mathbb{Z}_p^*, \cdot)$  be the cyclic group from exercise 37. Show that, for  $p \geq 5$ , not every element  $x \in \mathbb{F}_p^*$  is a generator of  $\mathbb{F}_p^*$ .

### 4.1.5 Pairings

Of particular importance for the development of SNARKs are so-called **pairing maps** on commutative groups, defined below.

*Definition 4.1.5.1 (Pairing map).* Let  $\mathbb{G}_1$ ,  $\mathbb{G}_2$  and  $\mathbb{G}_3$  be three commutative groups. Then a **pairing map** is a function

$$e(\cdot, \cdot) : \mathbb{G}_1 \times \mathbb{G}_2 \rightarrow \mathbb{G}_3 \quad (4.9)$$

This function takes pairs  $(g_1, g_2)$  of elements from  $\mathbb{G}_1$  and  $\mathbb{G}_2$ , and maps them to elements from  $\mathbb{G}_3$  such that the **bilinearity** property holds, which means that for all  $g_1, g'_1 \in \mathbb{G}_1$  and  $g_2, g'_2 \in \mathbb{G}_2$  the following two identities are satisfied:

$$e(g_1 \cdot g'_1, g_2) = e(g_1, g_2) \cdot e(g'_1, g_2) \quad \text{and} \quad e(g_1, g_2 \cdot g'_2) = e(g_1, g_2) \cdot e(g_1, g'_2) \quad (4.10)$$

Informally speaking, bilinearity means that it doesn't matter if we first execute the group law on one side and then apply the bilinear map, or if we first apply the bilinear map and then apply the group law in  $\mathbb{G}_3$ .

A pairing map is called **non-degenerate** if, whenever the result of the pairing is the neutral element in  $\mathbb{G}_3$ , one of the input values is the neutral element of  $\mathbb{G}_1$  or  $\mathbb{G}_2$ . To be more precise,  $e(g_1, g_2) = e_{\mathbb{G}_3}$  implies  $g_1 = e_{\mathbb{G}_1}$  or  $g_2 = e_{\mathbb{G}_2}$ .

*Example 41.* One of the most basic examples of a non-degenerate pairing involves the groups  $\mathbb{G}_1$ ,  $\mathbb{G}_2$  and  $\mathbb{G}_3$  all being groups of integers with addition  $(\mathbb{Z}, +)$ . In this case, the following map defines a non-degenerate pairing:

$$e(\cdot, \cdot) : \mathbb{Z} \times \mathbb{Z} \rightarrow \mathbb{Z} \quad (a, b) \mapsto a \cdot b \quad (4.11)$$

Note that bilinearity follows from the distributive law of integers, meaning that, for  $a, b, c \in \mathbb{Z}$ , the equation  $e(a + b, c) = (a + b) \cdot c = a \cdot c + b \cdot c = e(a, c) + e(b, c)$  holds (and the same reasoning is true for the second argument).

To see that  $e(\cdot, \cdot)$  is non-degenerate, assume that  $e(a, b) = 0$ . Then  $a \cdot b = 0$  implies that  $a$  or  $b$  must be zero.

*Exercise 42* (Arithmetic laws for pairing maps). Let  $\mathbb{G}_1$ ,  $\mathbb{G}_2$  and  $\mathbb{G}_3$  be finite cyclic groups of the same order  $n$ , and let  $e(\cdot, \cdot) : \mathbb{G}_1 \times \mathbb{G}_2 \rightarrow \mathbb{G}_3$  be a pairing map. Show that, for given  $g_1 \in \mathbb{G}_1$ ,  $g_2 \in \mathbb{G}_2$  and all  $a, b \in \mathbb{Z}_n$ , the following identity holds:

$$e(g_1^a, g_2^b) = e(g_1, g_2)^{a \cdot b} \quad (4.12)$$

*Exercise 43.* Consider the remainder class groups  $(\mathbb{Z}_n, +)$  from example 34 for some modulus  $n$ . Show that the following map is a pairing map.

$$e(\cdot, \cdot) : \mathbb{Z}_n \times \mathbb{Z}_n \rightarrow \mathbb{Z}_n \quad (a, b) \mapsto a \cdot b \quad (4.13)$$

Why is the pairing not non-degenerate in general, and what condition must be imposed on  $n$  such that the pairing will be non-degenerate?

### 4.1.6 Cryptographic Groups

In this section, we look at classes of groups that are believed to satisfy certain **computational hardness assumptions**, meaning that it is not feasible to compute them in polynomial time.<sup>5</sup>

*Example 42.* To give an example for a well-known computational hardness assumption, consider the problem of factorization, i.e. computing the prime factors of a composite integer (see example 1). If the prime factors are very large, this is infeasible to do, and is expected to remain infeasible. We assume the problem is **computationally hard** or **infeasible**.

Note that, in example 42, we say that the problem is infeasible to solve **if the prime factors are large enough**. Naturally, this is made more precise in the cryptographic standard model, where we have a security parameter, and we say that “there exists a security parameter such that it is not feasible to compute a solution to the problem”. In the following examples, the security parameter roughly correlates with the order of the group in consideration. In this book, we do not include the security parameter in our definitions, since we only aim to provide an intuitive understanding of the cryptographic assumptions, not teach the ability to perform rigorous analysis.

<sup>5</sup>A more detailed introduction to computational hardness assumptions and their applications in cryptography can be found in chapter 3, section 8 in Katz and Lindell [2007].

Furthermore, understand that these are **assumptions**. Academics have been looking for efficient prime factorization algorithms for a long time, and they have been getting better and better while computers have become faster and faster – but there always was a higher security parameter for which the problem still was infeasible.

In what follows, we describe a few problems arising in the context of groups in cryptography that are assumed to be infeasible. We will refer to them throughout the book.

#### 4.1.6.1 The Discrete Logarithm Problem

The so-called **Discrete Logarithm Problem (DLP)**, also called the **Discrete Logarithm Assumption**, is one of the most fundamental assumptions in cryptography.

*Definition 4.1.6.1.* Let  $\mathbb{G}$  be a finite cyclic group of order  $r$  and let  $g$  be a generator of  $\mathbb{G}$ . We know from (4.1) that there is an exponential map  $g^{(\cdot)} : \mathbb{Z}_r \rightarrow \mathbb{G} ; x \mapsto g^x$  that maps the residue classes from modulo  $r$  arithmetic onto the group in a 1 : 1 correspondence. The **Discrete Logarithm Problem** is the task of finding an inverse to this map, that is, to find a solution  $x \in \mathbb{Z}_r$  to the following equation for some given  $h, g \in \mathbb{G}$ :

$$h = g^x \tag{4.14}$$

There are groups in which the DLP is assumed to be infeasible to solve, and there are groups in which it isn't. We call the former group **DL-secure** groups.

Rephrasing the previous definition, it is believed that, in DL-secure groups, there is a number  $n$  such that it is infeasible to compute some number  $x$  that solves the equation  $h = g^x$  for a given  $h$  and  $g$ , assuming that the order of the group  $n$  is large enough. The number  $n$  here corresponds to the security parameter discussed above.

*Example 43 (Public key cryptography).* One of the most basic examples of an application for DL-secure groups is in public key cryptography, where the parties publicly agree on some pair  $(\mathbb{G}, g)$  such that  $\mathbb{G}$  is a finite cyclic group of appropriate order  $n$ , believed to be a DL-secure group, and  $g$  is a generator of  $\mathbb{G}$ .

In this setting, a secret key is some number  $sk \in \mathbb{Z}_r$  and the associated public key  $pk$  is the group element  $pk = g^{sk}$ . Since discrete logarithms are assumed to be hard, it is infeasible for an attacker to compute the secret key from the public key, as this would involve finding solutions  $x$  to the following equation (which is believed to be infeasible):

$$pk = g^x \tag{4.15}$$

As example 43 shows, identifying DL-secure groups is an important practical problem. Unfortunately, it is easy to see that it does not make sense to assume the hardness of the Discrete Logarithm Problem in all finite cyclic groups: counterexamples are common and easy to construct.

#### 4.1.6.2 The decisional Diffie–Hellman assumption

*Definition 4.1.6.2.* Let  $\mathbb{G}$  be a finite cyclic group of order  $n$  and let  $g$  be a generator of  $\mathbb{G}$ . The decisional Diffie–Hellman (DDH) problem is to distinguish  $(g^a, g^b, g^{ab})$  from the triple  $(g^a, g^b, g^c)$  for uniformly random values  $a, b, c \in \mathbb{Z}_r$ .

If we assume the DDH problem is infeasible to solve in  $\mathbb{G}$ , we call  $\mathbb{G}$  a **DDH-secure** group.

DDH-security is a stronger assumption than DL-security (4.1.6.1), in the sense that if the DDH problem is infeasible, so is the DLP, but not necessarily the other way around.

To see why this is the case, assume that the discrete logarithm assumption does not hold. In that case, given a generator  $g$  and a group element  $h$ , it is easy to compute some element  $x \in \mathbb{Z}_p$  with  $h = g^x$ . Then the decisional Diffie–Hellman assumption cannot hold, since given some triple  $(g^a, g^b, z)$ , one could efficiently decide whether  $z = g^{ab}$  is true by first computing the discrete logarithm  $b$  of  $g^b$ , then computing  $g^{ab} = (g^a)^b$  and deciding whether or not  $z = g^{ab}$ .

On the other hand, the following example shows that there are groups where the discrete logarithm assumption holds but the Decisional Diffie–Hellman Assumption does not.

*Example 44* (Efficiently computable bilinear pairings). Let  $\mathbb{G}$  be a DL-secure, finite, cyclic group of order  $r$  with generator  $g$ , and  $\mathbb{G}_T$  another group such that there is an efficiently computable pairing map  $e(\cdot, \cdot) : \mathbb{G} \times \mathbb{G} \rightarrow \mathbb{G}_T$  that is bilinear and non degenerate (4.9).

In a setting like this, it is easy to show that solving DDH cannot be infeasible, since, given some triple  $(g^a, g^b, z)$ , it is possible to efficiently check whether  $z = g^{ab}$  by making use of the following pairing:

$$e(g^a, g^b) \stackrel{?}{=} e(g, z) \tag{4.16}$$

Since the bilinearity properties of  $e(\cdot, \cdot)$  imply  $e(g^a, g^b) = e(g, g)^{ab} = e(g, g^{ab})$ , and  $e(g, y) = e(g, y')$  implies  $y = y'$  due to the non-degenerate property, the equality means  $z = g^{ab}$ .

It follows that the DDH assumption is indeed stronger than the discrete log assumption, and groups with efficient pairings cannot be DDH-secure groups.

### 4.1.6.3 The Computational Diffie–Hellman Assumption

*Definition 4.1.6.3.* Let  $\mathbb{G}$  be a finite cyclic group of order  $n$  and let  $g$  be a generator of  $\mathbb{G}$ . The **computational Diffie–Hellman assumption** stipulates that, given randomly and independently chosen elements  $a, b \in \mathbb{Z}_r$ , it is not possible to compute  $g^{ab}$  if only  $g, g^a$  and  $g^b$  (but not  $a$  and  $b$ ) are known. If this is the case for  $\mathbb{G}$ , we call  $\mathbb{G}$  a **CDH-secure** group.

In general, we don't know if CDH-security is a stronger assumption than DL-security, or if both assumptions are equivalent. We know that DL-security is necessary for CDH-security, but the other direction is currently not well understood. In particular, there are no known DL-secure groups that are not also CDH-secure.

To see why the discrete logarithm assumption is necessary, assume that it does not hold. Then, given a generator  $g$  and a group element  $h$ , it is easy to compute some element  $x \in \mathbb{Z}_p$  with  $h = g^x$ . In that case, the computational Diffie–Hellman assumption cannot hold, since, given  $g, g^a$  and  $g^b$ , it is possible to efficiently compute  $b$ , meaning that  $g^{ab} = (g^a)^b$  can be computed from this data.

The computational Diffie–Hellman assumption is a weaker assumption than the Decisional Diffie–Hellman Assumption. This means that there are groups where CDH holds and DDH does not hold, while there cannot be groups in which DDH holds but CDH does not hold. To see that, assume that it is efficiently possible to compute  $g^{ab}$  from  $g, g^a$  and  $g^b$ . Then, given  $(g^a, g^b, z)$  it is easy to decide whether  $z = g^{ab}$  holds or not.

Several variations and special cases of CDH exist. For example, the **square Computational Diffie–Hellman Assumption** assumes that, given  $g$  and  $g^x$ , it is computationally hard to compute  $g^{x^2}$ . The **inverse Computational Diffie–Hellman Assumption** assumes that, given  $g$  and  $g^x$ , it is computationally hard to compute  $g^{x^{-1}}$ .

## 4.1.7 Hashing to Groups

### 4.1.7.1 Hash functions

Generally speaking, a hash function is any function that can be used to map data of arbitrary size to fixed-size values. Since binary strings of arbitrary length are a way to represent data in general, we can understand a **hash function** as the following map where  $\{0, 1\}^*$  represents the set of all binary strings of arbitrary but finite length and  $\{0, 1\}^k$  represents the set of all binary strings that have a length of exactly  $k$  bits:

$$H : \{0, 1\}^* \rightarrow \{0, 1\}^k \quad (4.17)$$

The **images** of  $H$ , that is, the values returned by the hash function  $H$ , are called **hash values**, **digests**, or simply **hashes**.

*Notation and Symbols* 8. In what follows, we call an element  $b \in \{0, 1\}$  a **bit**. If  $s \in \{0, 1\}^*$  is a binary string, we write  $|s| = k$  for its **length**, that is, for the number of bits in  $s$ . We write  $\langle \rangle$  for the empty binary string, and  $s = \langle b_1, b_2, \dots, b_k \rangle$  for a binary string of length  $k$ .<sup>6</sup>

If two binary strings  $s = \langle b_1, b_2, \dots, b_k \rangle$  and  $s' = \langle b'_1, b'_2, \dots, b'_l \rangle$  are given, then we write  $s||s'$  for the **concatenation** that is the string  $s||s' = \langle b_1, b_2, \dots, b_k, b'_1, b'_2, \dots, b'_l \rangle$ .

If  $H$  is a hash function that maps binary strings of arbitrary length onto binary strings of length  $k$ , and  $s \in \{0, 1\}^*$  is a binary string, we write  $H(s)_j$  for the bit at position  $j$  in the image  $H(s)$ .

*Example 45* ( $k$ -truncation hash). One of the most basic hash functions  $H_k : \{0, 1\}^* \rightarrow \{0, 1\}^k$  is given by simply truncating every binary string  $s$  of size  $|s| > k$  to a string of size  $k$  and by filling any string  $s'$  of size  $|s'| < k$  with zeros. To make this hash function deterministic, we define that both truncation and filling should happen on the highest bits, or “on the left”.

For example, if the parameter  $k$  is given by  $k = 3$ ,  $s_1 = \langle 0, 0, 0, 0, 1, 0, 1, 0, 1, 1, 1, 0 \rangle$  and  $s_2 = 1$ , then  $H_3(s_1) = \langle 1, 1, 0 \rangle$  and  $H_3(s_2) = \langle 0, 0, 1 \rangle$ .

A desirable property of a hash function is **uniformity**, which means that it should map input values as evenly as possible over its output range. In mathematical terms, every string of length  $k$  from  $\{0, 1\}^k$  should be generated with roughly the same probability.

Of particular interest are so-called **cryptographic** hash functions, which are hash functions that are also **one-way functions**, which essentially means that, given a string  $y$  from  $\{0, 1\}^k$  it is infeasible to find a string  $x \in \{0, 1\}^*$  such that  $H(x) = y$  holds. This property is usually called **preimage-resistance**.

Moreover, if a string  $x_1 \in \{0, 1\}^*$  is given, then it should be infeasible to find another string  $x_2 \in \{0, 1\}^*$  with  $x_1 \neq x_2$  and  $H(x_1) = H(x_2)$ .

In addition, it should be infeasible to find two strings  $x_1, x_2 \in \{0, 1\}^*$  such that  $H(x_1) = H(x_2)$ , which is called **collision resistance**. It is important to note, though, that collisions always exist, since a function  $H : \{0, 1\}^* \rightarrow \{0, 1\}^k$  inevitably maps infinitely many values onto the same hash. In fact, for any hash function with digests of length  $k$ , finding a preimage to a given digest can always be done using a brute force search in  $2^k$  evaluation steps. It should just be practically impossible to compute those values, and statistically very unlikely to generate two of them by chance.

<sup>6</sup>The difference between the notations  $b \in \{0, 1\}$  and  $s \in \{0, 1\}^*$  is the following:  $b \in \{0, 1\}$  means that  $b$  is equal to either 0 or 1, whereas  $s$  is a string composed of an arbitrary number of 0s and 1s (and  $s$  can also be an empty string).

A third property of a cryptographic hash function is that small changes in the input string, like changing a single bit, should generate hash values that look completely different from each other. This is called **diffusion** or the avalanche effect.

Because cryptographic hash functions map tiny changes in input values onto large changes in the output, implementation errors that change the outcome are usually easy to spot by comparing them to expected output values. The definitions of cryptographic hash functions are therefore usually accompanied by some test vectors of common inputs and expected digests. Since the empty string  $\langle \rangle$  is the only string of length 0, a common test vector is the expected digest of the empty string.

*Example 46* ( $k$ -truncation hash). Consider the  $k$ -truncation hash from example 45. Since the empty string has length 0, it follows that the digest of the empty string is the string of length  $k$  that only contains 0s:

$$H_k(\langle \rangle) = \langle 0, 0, \dots, 0, 0 \rangle \quad (4.18)$$

It is pretty obvious from the definition of  $H_k$  that this simple hash function is not a cryptographic hash function. In particular, every digest is its own preimage, since  $H_k(y) = y$  for every string of size exactly  $k$ . Finding preimages is therefore easy, so the property of preimage resistance does not hold.

In addition, it is easy to construct collisions, as all strings  $s$  of size  $|s| > k$  that share the same  $k$ -bits “on the right” are mapped to the same hash value. This means that this function is not collision resistant, either.

Finally, this hash function does not have a lot of diffusion, as changing bits that are not part of the  $k$  right-most bits won’t change the digest at all.

Computing cryptographically secure hash functions in pen-and-paper style is possible but tedious. Fortunately, Sage can import the **hashlib** library, which is intended to provide a reliable and stable base for writing Python programs that require cryptographic functions. The following examples explain how to use **hashlib** in Sage.

*Example 47.* An example of a hash function that is generally believed to be a cryptographically secure hash function is the so-called **SHA256** hash, which, in our notation, is a function that maps binary strings of arbitrary length onto binary strings of length 256:

$$SHA256 : \{0, 1\}^* \rightarrow \{0, 1\}^{256} \quad (4.19)$$

To evaluate a proper implementation of the *SHA256* hash function, the digest of the empty string is supposed to be the following:

$$SHA256(\langle \rangle) = e3b0c44298fc1c149afb4c8996fb92427ae41e4649b934ca495991b7852b855 \quad (4.20)$$

For better human readability, it is common practice to represent the digest of a string not in its binary form, but in a hexadecimal representation. We can use Sage to compute *SHA256* and freely transit between binary, hexadecimal and decimal representations. To do so, we import **hashlib**’s implementation of *SHA256*:

```
sage: import hashlib 157
sage: test = 'e3b0c44298fc1c149afb4c8996fb92427ae41e4649b934 158
      ca495991b7852b855'
sage: empty_string = "" 159
sage: binary_string = empty_string.encode() 160
```

```

sage: hasher = hashlib.sha256(binary_string) 161
sage: result = hasher.hexdigest() 162
sage: type(result) # Sage represents digests as strings 163
<class 'str'> 164
sage: d = ZZ('0x'+ result) # conversion to an integer 165
sage: d.str(16) == test # hash is equal to test vector 166
True 167
sage: d.str(16) # hexadecimal representation 168
e3b0c44298fc1c149afbf4c8996fb92427ae41e4649b934ca495991b7852b8 169
55
sage: d.str(2) # binary representation 170
11100011101100001100010001000010100110001111110000011100000101 171
001001101011111011111010011001000100110010110111101110010
01001000010011110101110010000011110010001100100100110111001
00110100110010100100100101011001100100011011011110000101001
01011100001010101
sage: d.str(10) # decimal representation 172
10298733624955409702953521232258132278979990064819803499337939 173
7001115665086549

```

#### 4.1.7.2 Hashing to cyclic groups

As we have seen in the previous section, general hash functions map binary strings of arbitrary length onto binary strings of some fixed length. However, it is desirable in various cryptographic primitives to not simply hash to binary strings of fixed length, but to hash into algebraic structures like groups, while keeping (some of) the properties of the hash function, like preimage resistance or collision resistance.

Hash functions like this can be defined for various algebraic structures, but, in a sense, the most fundamental ones are hash functions that map into groups, because they can be easily extended to map into other structures like rings or fields.

To give a more precise definition, let  $\mathbb{G}$  be a group and  $\{0, 1\}^*$  the set of all finite, binary strings, then a **hash-to-group** function is a deterministic map

$$H : \{0, 1\}^* \rightarrow \mathbb{G} \quad (4.21)$$

As the following example shows, hashing to finite cyclic groups can be trivially achieved for the price of some undesirable properties of the hash function:

*Example 48* (Naive cyclic group hash). Let  $\mathbb{G}$  be a finite cyclic group of order  $n$ . If the task is to implement a hash-to-group function, one immediate approach can be based on the observation that binary strings of size  $k$  can be interpreted as integers  $z \in \mathbb{Z}$  in the range  $0 \leq z < 2^k$  using equation 3.13.

To be more precise, let  $H : \{0, 1\}^* \rightarrow \{0, 1\}^k$  be a hash function for some parameter  $k$ ,  $g$  a generator of  $\mathbb{G}$ , and  $s \in \{0, 1\}^*$  a binary string. Using equation 3.13 and notation 8, the following expression is a non-negative integer:

$$z_{H(s)} = H(s)_0 \cdot 2^0 + H(s)_1 \cdot 2^1 + \dots + H(s)_k \cdot 2^k \quad (4.22)$$

A hash-to-group function for the group  $\mathbb{G}$  can then be defined as a composition of the exponential map  $g^{(\cdot)}$  of  $g$  with the interpretation of  $H(s)$  as an integer:



$$H_g : \{0, 1\}^* \rightarrow \mathbb{G} : s \mapsto g^{z_{H(s)}} \quad (4.23)$$

Constructing a hash-to-group function like this is easy for cyclic groups, and it might be good enough in certain applications. It is, however, almost never adequate in cryptographic applications, as a discrete log relation might be constructible between some hash values  $H_g(s)$  and  $H_g(t)$ , regardless of whether or not  $\mathbb{G}$  is DL-secure (see section 4.1.6.1).

To be more precise, a discrete log relation between the group elements  $H_g(s)$  and  $H_g(t)$  is any element  $x \in \mathbb{Z}_n$  such that  $H_g(s) = H_g(t)^x$ . To see how such an  $x$  can be constructed, assume that  $z_{H(s)}$  has a multiplicative inverse in  $\mathbb{Z}_n$ . In this case, the element  $x = z_{H(t)} \cdot z_{H(s)}^{-1}$  from  $\mathbb{Z}_n$  is a discrete log relation between  $H_g(s)$  and  $H_g(t)$ :

$$\begin{aligned} g^{z_{H(t)}} &= g^{z_{H(t)}} && \Leftrightarrow \\ g^{z_{H(t)}} &= g^{z_{H(t)} \cdot z_{H(s)} \cdot z_{H(s)}^{-1}} && \Leftrightarrow \\ g^{z_{H(t)}} &= g^{z_{H(s)} \cdot x} && \Leftrightarrow \\ H_g(t) &= (H_g(s))^x \end{aligned}$$

Therefore, applications where discrete log relations between hash values are undesirable need different approaches. Many of these approaches start with a way to hash into the set  $\mathbb{Z}_r$  of modular  $r$  arithmetics.

### 4.1.7.3 Pedersen Hashes

The so-called **Pedersen Hash Function** [Pedersen, 1992] provides a way to map fixed size tuples of elements from modular arithmetics onto elements of finite cyclic groups in such a way that discrete log relations (see example 48) between different images are avoidable. Compositions of a Pedersen Hash with a general hash function (4.17) then provide hash-to-group functions that map strings of arbitrary length onto group elements.

To be more precise, let  $j$  be an integer,  $\mathbb{G}$  a finite cyclic group of order  $n$ , and  $\{g_1, \dots, g_j\} \subset \mathbb{G}$  a uniform and randomly generated set of generators of  $\mathbb{G}$ . Then **Pedersen's hash function** is defined as follows:

$$H_{\{g_1, \dots, g_j\}} : (\mathbb{Z}_r)^j \rightarrow \mathbb{G} : (x_1, \dots, x_j) \mapsto \prod_{i=1}^j g_i^{x_i} \quad (4.24)$$

It can be shown that Pedersen's hash function is collision-resistant under the assumption that  $\mathbb{G}$  is DL-secure (see section 4.1.6.1). It is important to note though, that the following family of functions does not qualify as a pseudorandom function family.

$$\{H_{\{g_1, \dots, g_j\}} \mid g_1, \dots, g_j \in \mathbb{G}\} \quad (4.25)$$

From an implementation perspective, it is important to derive the set of generators  $\{g_1, \dots, g_k\}$  in such a way that they are as uniform and random as possible. In particular, any known discrete log relation between two generators, that is, any known  $x \in \mathbb{Z}_n$  with  $g_h = (g_i)^x$ , must be avoided.

*Example 49.* To compute an actual Pedersen's hash, consider the cyclic group  $\mathbb{Z}_5^*$  from example 36. We know from example 40 that the elements 2 and 3 are generators of  $\mathbb{Z}_5^*$ , and it follows that the following map is a Pedersen's hash function:

$$H_{\{2,3\}} : \mathbb{Z}_4 \times \mathbb{Z}_4 \rightarrow \mathbb{Z}_5^* ; (x, y) \mapsto 2^x \cdot 3^y \quad (4.26)$$

To see how this map can be calculated, we choose the input value  $(1, 3)$  from  $\mathbb{Z}_4 \times \mathbb{Z}_4$ . Then, using the multiplication table from (3.25), we calculate  $H_{\{2,3\}}(1, 3) = 2^1 \cdot 3^3 = 2 \cdot 2 = 4$ .

To see how the composition of a hash function with  $H_{\{2,3\}}$  defines a hash-to-group function, consider the *SHA256* hash function from example 47. Given some binary string  $s \in \{0, 1\}^*$ , we can insert the two least significant bits  $SHA256(s)_0$  and  $SHA256(s)_1$  from the image  $SHA256(s)$  into  $H_{\{2,3\}}$  to get an element in  $\mathbb{F}_5^*$ . This defines the following hash-to-group function

$$SHA256\_H_{\{2,3\}} : \{0, 1\}^* \rightarrow \mathbb{Z}_5^* ; s \mapsto 2^{SHA256(s)_0} \cdot 3^{SHA256(s)_1}$$

To see how this hash function can be calculated, consider the empty string  $\langle \rangle$ . Since we know from the Sage computation in example 47, that  $SHA256(\langle \rangle)_0 = 1$  and that  $SHA256(\langle \rangle)_1 = 0$ , we get  $SHA\_256H_{\{2,3\}}(\langle \rangle) = 2^1 \cdot 3^0 = 2$ .

Of course, computing  $SHA256\_H_{\{2,3\}}$  in a pen-and-paper style is difficult. However, we can easily implement this function in Sage in the following way:

```
sage: import hashlib 174
sage: def SHA256_H(x): 175
.....:     Z5 = Integers(5) # define the group type 176
.....:     hasher = hashlib.sha256(x) # compute SHA256 177
.....:     digest = hasher.hexdigest() 178
.....:     z = ZZ(digest, 16) # cast into integer 179
.....:     z_bin = z.digits(base=2, padto=256) # cast to 256 180
.....:     bits
.....:     return Z5(2)^z_bin[0] * Z5(3)^z_bin[1] 181
sage: SHA256_H(b"") # evaluate on empty string 182
2 183
sage: SHA256_H(b"SHA") # possible images are {1,2,3} 184
3 185
sage: SHA256_H(b"Math") 186
1 187
```

*Exercise 44.* Consider the multiplicative group  $\mathbb{Z}_{13}^*$  of modular 13 arithmetic from example 34. Choose a set of 3 generators of  $\mathbb{Z}_{13}^*$ , define its associated Pedersen Hash Function, and compute the Pedersen Hash of  $(3, 7, 11) \in \mathbb{Z}_{12}$ .

*Exercise 45.* Consider the Pedersen Hash from exercise 44. Compose it with the *SHA256* hash function from example 47 to define a hash-to-group function. Implement that function in Sage.

#### 4.1.7.4 Pseudorandom Function Families in DDH-secure groups

As noted in 4.1.7.3, the family of Pederson's hash functions, parameterized by a set of generators  $\{g_1, \dots, g_j\}$  does not qualify as a family of pseudorandom functions, and should therefore not be instantiated as such. To see an example of a proper family of pseudorandom functions in groups where the decisional Diffie–Hellman assumption (see section 4.1.6.2) is assumed to hold true, let  $\mathbb{G}$  be a DDH-secure cyclic group of order  $n$  with generator  $g$ , and let  $\{a_0, a_1, \dots, a_k\} \subset \mathbb{Z}_n^*$  be a uniform randomly generated set of numbers invertible in modular  $n$  arithmetics. Then a family of pseudorandom functions, parameterized by the seed  $\{a_0, a_1, \dots, a_k\}$  is given as follows:

$$F_{\{a_0, a_1, \dots, a_k\}} : \{0, 1\}^{k+1} \rightarrow \mathbb{G} : (b_0, \dots, b_k) \mapsto g^{a_0 \cdot \prod_{i=1}^k a_i^{b_i}} \quad (4.27)$$

*Exercise 46.* Consider the multiplicative group  $\mathbb{Z}_{13}^*$  of modular 13 arithmetic from example 34 and the parameter  $k = 3$ . Choose a generator of  $\mathbb{Z}_{13}^*$ , a seed and instantiate a member of the family given in (4.27) for that seed. Evaluate that member on the binary string  $\langle 1, 0, 1 \rangle$ .

## 4.2 Commutative Rings

In the previous section, we have seen that integers are a commutative group with respect to integer addition. However, as we know, there are two arithmetic operations defined on integers: addition and multiplication. However, in contrast to addition, multiplication does not define a group structure, given that integers generally don't have multiplicative inverses. Configurations like these constitute so-called **commutative rings with unit**, and are defined as follows:

*Definition 4.2.0.1* (Commutative ring with unit). A **commutative ring with unit**  $(R, +, \cdot, 1)$  is a set  $R$  with two maps,  $+$  :  $R \times R \rightarrow R$  and  $\cdot$  :  $R \times R \rightarrow R$ , called **addition** and **multiplication**, and an element  $1 \in R$ , called the **unit**, such that the following conditions hold:

- $(R, +)$  is a commutative group where the neutral element is denoted with 0.
- **Commutativity of multiplication:**  $r_1 \cdot r_2 = r_2 \cdot r_1$  for all  $r_1, r_2 \in R$ .
- **Multiplicative neutral unit :**  $1 \cdot g = g$  for all  $g \in R$ .
- **Associativity:** For every  $g_1, g_2, g_3 \in \mathbb{R}$ , the equation  $g_1 \cdot (g_2 \cdot g_3) = (g_1 \cdot g_2) \cdot g_3$  holds.
- **Distributivity:** For all  $g_1, g_2, g_3 \in R$ , the distributive law  $g_1 \cdot (g_2 + g_3) = g_1 \cdot g_2 + g_1 \cdot g_3$  holds.

If  $(R, +, \cdot, 1)$  is a commutative ring with unit, and  $R' \subset R$  is a subset of  $R$  such that the restriction of addition and multiplication to  $R'$  define a commutative ring with addition  $+$  :  $R' \times R' \rightarrow R'$ , multiplication  $\cdot$  :  $R' \times R' \rightarrow R'$  and unit 1 on  $R'$ , then  $(R', +, \cdot, 1)$  is called a **subring** of  $(R, +, \cdot, 1)$ .

*Notation and Symbols 9.* Since we are exclusively concerned with commutative rings in this book, we often just call them rings, keeping the notation of commutativity implicit. A set  $R$  with two maps,  $+$  and  $\cdot$ , which satisfies all previously mentioned rules except for the commutativity law of multiplication, is called a non-commutative ring.

If there is no risk of ambiguity (about what the addition and multiplication maps of a ring are), we frequently drop the symbols  $+$  and  $\cdot$  and simply write  $R$  as notation for the ring, keeping those maps implicit. In this case we also say that  $R$  is of ring type, indicating that  $R$  is not simply a set but a set together with an addition and a multiplication map.<sup>7</sup>

*Example 50* (The ring of integers). The set  $\mathbb{Z}$  of integers with the usual addition and multiplication is the archetypical example of a commutative ring with unit 1.

**sage:** ZZ  
Integer Ring

188  
189

*Example 51* (Underlying commutative group of a ring). Every commutative ring with unit  $(R, +, \cdot, 1)$  gives rise to a group, if we disregard multiplication.

<sup>7</sup>Commutative rings are a large field of research in mathematics, and countless books on the topic exist. For our purposes, an introduction is given in chapter 1, section 2 of Lidl and Niederreiter [1986].

The following example is somewhat unusual, but we encourage you to think through it because it helps to detach the mind from familiar styles of computation, and concentrate on the abstract algebraic explanation.

*Example 52.* Let  $S := \{\bullet, \star, \odot, \otimes\}$  be a set that contains four elements, and let addition and multiplication on  $S$  be defined as follows:

$$\begin{array}{c|cccc}
 \cup & \bullet & \star & \odot & \otimes \\
 \hline
 \bullet & \bullet & \star & \odot & \otimes \\
 \star & \star & \odot & \otimes & \bullet \\
 \odot & \odot & \otimes & \bullet & \star \\
 \otimes & \otimes & \bullet & \star & \odot
 \end{array}
 \qquad
 \begin{array}{c|cccc}
 \circ & \bullet & \star & \odot & \otimes \\
 \hline
 \bullet & \bullet & \bullet & \bullet & \bullet \\
 \star & \bullet & \star & \odot & \otimes \\
 \odot & \bullet & \odot & \bullet & \odot \\
 \otimes & \bullet & \otimes & \odot & \star
 \end{array}
 \tag{4.28}$$

Then  $(S, \cup, \circ, \star)$  is a ring with unit  $\star$  and zero  $\bullet$ . It therefore makes sense to ask for solutions to equations like the following one:

$$\otimes \circ (x \cup \odot) = \star \tag{4.29}$$

The task here is to find  $x \in S$  such that (4.29) holds. To see how such a “moonmath equation” can be solved, we have to keep in mind that rings behave mostly like normal numbers when it comes to bracketing and computation rules. The only differences are the symbols, and the actual way to add and multiply them. With this in mind, we solve the equation for  $x$  in the “usual way”:<sup>8</sup>

$$\begin{array}{ll}
 \otimes \circ (x \cup \odot) = \star & \# \text{ apply the distributive law} \\
 \otimes \circ x \cup \otimes \circ \odot = \star & \# \otimes \circ \odot = \odot \\
 \otimes \circ x \cup \odot = \star & \# \text{ concatenate the } \cup \text{ inverse of } \odot \text{ to both sides} \\
 \otimes \circ x \cup \odot \cup -\odot = \star \cup -\odot & \# \odot \cup -\odot = \bullet \\
 \otimes \circ x \cup \bullet = \star \cup -\odot & \# \bullet \text{ is the } \cup \text{ neutral element} \\
 \otimes \circ x = \star \cup -\odot & \# \text{ for } \cup \text{ we have } -\odot = \odot \\
 \otimes \circ x = \star \cup \odot & \# \star \cup \odot = \otimes \\
 \otimes \circ x = \otimes & \# \text{ concatenate the } \circ \text{ inverse of } \otimes \text{ to both sides} \\
 (\otimes)^{-1} \circ \otimes \circ x = (\otimes)^{-1} \circ \otimes & \# \text{ multiply with the multiplicative inverse} \\
 \star \circ x = \star & \\
 x = \star &
 \end{array}$$

Even though this equation looked really alien at first glance, we could solve it basically exactly the way we solve “normal” equations containing numbers.

Note, however, that whenever a multiplicative inverse is needed to solve an equation in the usual way in a ring, things can be very different than most of us are used to. For example, the following equation cannot be solved for  $x$  in the usual way, since there is no multiplicative inverse for  $\odot$  in our ring.

$$\odot \circ x = \otimes \tag{4.30}$$

We can confirm this by looking at the multiplication table in (4.28) to see that no such  $x$  exists.

<sup>8</sup>Note that there are more efficient ways to solve this equation. The point of our computation is to show how the axioms of a ring can be used to solve the equation.

As another example, the following equation does not have a single solution but two:  $x \in \{\star, \otimes\}$ .

$$\odot \circ x = \odot \tag{4.31}$$

Having no solution or two solutions is certainly not something we are used to from types like the rational numbers  $\mathbb{Q}$ .

*Example 53* (Ring of Polynomials). Considering the definition of polynomials from section 3.4 again, we notice that what we have informally called the type  $R$  of the coefficients must in fact be a commutative ring with a unit, since we need addition, multiplication, commutativity and the existence of a unit for  $R[x]$  to have the properties we expect.

In fact, if we consider  $R$  to be a ring and we define addition and multiplication of polynomials as in (3.29), the set  $R[x]$  is a commutative ring with a unit, where the polynomial 1 is the multiplicative unit. We call this ring the **ring of polynomials with coefficients in  $R$** .

**sage: ZZ['x']** 190  
**Univariate Polynomial Ring in x over Integer Ring** 191

*Example 54* (Ring of modular  $n$  arithmetic). Let  $n$  be a modulus and  $(\mathbb{Z}_n, +, \cdot)$  the set of all remainder classes of integers modulo  $n$ , with the projection of integer addition and multiplication as defined in section 3.3.4. Then  $(\mathbb{Z}_n, +, \cdot)$  is a commutative ring with unit 1.

**sage: Integers(6)** 192  
**Ring of integers modulo 6** 193

*Example 55* (Binary Representations in Modular Arithmetic). (Non unique)

*Example 56* (Polynomial evaluation in the exponent of group generators). As we show in section 6.2.3, a key insight in many zero-knowledge protocols is the ability to encode computations as polynomials and then to hide the information of that computation by evaluating the polynomial “in the exponent” of certain cryptographic groups (section 8.2).

To understand the underlying principle of this idea, consider the exponential map (4.1) again. If  $\mathbb{G}$  is a finite cyclic group of order  $n$  with generator  $g \in \mathbb{G}$ , then the ring structure of  $(\mathbb{Z}_n, +, \cdot)$  corresponds to the group structure of  $\mathbb{G}$  in the following way:

$$g^{x+y} = g^x \cdot g^y \qquad g^{x \cdot y} = (g^x)^y \qquad \text{for all } x, y \in \mathbb{Z}_n \tag{4.32}$$

This correspondence allows polynomials with coefficients in  $\mathbb{Z}_n$  to be evaluated “in the exponent” of a group generator. To see what this means, let  $p \in \mathbb{Z}_n[x]$  be a polynomial with  $p(x) = a_m \cdot x^m + a_{m-1}x^{m-1} + \dots + a_1x + a_0$ , and let  $s \in \mathbb{Z}_n$  be an evaluation point. Then the previously defined exponential laws 4.32 imply the following identity:

$$\begin{aligned} g^{p(s)} &= g^{a_m \cdot s^m + a_{m-1}s^{m-1} + \dots + a_1s + a_0} \\ &= (g^{s^m})^{a_m} \cdot (g^{s^{m-1}})^{a_{m-1}} \cdot \dots \cdot (g^s)^{a_1} \cdot g^{a_0} \end{aligned} \tag{4.33}$$

Utilizing these identities, it is possible to evaluate any polynomial  $p$  of degree  $\text{deg}(p) \leq m$  at a “secret” evaluation point  $s$  in the exponent of  $g$  without any knowledge about  $s$ , assuming that  $\mathbb{G}$  is a DL-group. To see this, assume that the set  $\{g, g^s, g^{s^2}, \dots, g^{s^m}\}$  is given, but  $s$  is unknown. Then  $g^{p(s)}$  can be computed using (4.33), but it is not feasible to compute  $s$ .

*Example 57.* To give an example of the evaluation of a polynomial in the exponent of a finite cyclic group, consider the exponential map from example 38:

$$3^{(\cdot)} : \mathbb{Z}_4 \rightarrow \mathbb{Z}_5^* ; x \mapsto 3^x \quad (4.34)$$

Choosing the polynomial  $p(x) = 2x^2 + 3x + 1$  from  $\mathbb{Z}_4[x]$ , we first evaluate the polynomial at the point  $s = 2$ , and then write the result into the exponent 3 as follows:

$$\begin{aligned} 3^{p(2)} &= 3^{2 \cdot 2^2 + 3 \cdot 2 + 1} \\ &= 3^{2 \cdot 0 + 2 + 1} \\ &= 3^3 \\ &= 2 \end{aligned}$$

This was possible because we had access to the evaluation point 2. On the other hand, if we only had access to the set  $\{3, 4, 1\}$  and we knew that this set represents the set  $\{3, 3^s, 3^{s^2}\}$  for some secret value  $s$ , we could evaluate  $p$  at the point  $s$  in the exponent of 3 as follows:

$$\begin{aligned} 3^{p(s)} &= 1^2 \cdot 4^3 \cdot 3^1 \\ &= 1 \cdot 4 \cdot 3 \\ &= 2 \end{aligned}$$

Both computations agree, since the secret point  $s$  was equal to 2 in this example. However the second evaluation was possible without any knowledge about  $s$ .

### 4.2.1 Hashing into Modular Arithmetic

As we have seen in section 4.1.7, various constructions for hashing to groups are known and used in applications. As commutative rings are commutative groups when we disregard the multiplication, hash-to-group constructions can be applied for hashing into commutative rings. We review some frequently used applications below.

One of the most widely used applications of hash-into-ring constructions are hash functions that map into the ring  $\mathbb{Z}_n$  of modular  $n$  arithmetics for some modulus  $n$ . Different approaches of constructing such a function are known, but probably the most widely used ones are based on the insight that the images of general hash functions can be interpreted as binary representations of integers, as explained in example 48.

It follows from this interpretation that one simple method of hashing into  $\mathbb{Z}_n$  is constructed by observing that if  $n$  is a modulus with a bit length (3.13) of  $k = \lceil \log_2 n \rceil$ , then every binary string  $\langle b_0, b_1, \dots, b_{k-2} \rangle$  of length  $k - 1$  defines an integer  $z$  in the range  $0 \leq z \leq 2^{k-1} - 1 < n$ :

$$z = b_0 \cdot 2^0 + b_1 \cdot 2^1 + \dots + b_{k-2} \cdot 2^{k-2} \quad (4.35)$$

Now, since  $z < n$ , we know that  $z$  is guaranteed to be in the set  $\{0, 1, \dots, n - 1\}$ , and hence it can be interpreted as an element of  $\mathbb{Z}_n$ . Consequently, if  $H : \{0, 1\}^* \rightarrow \{0, 1\}^{k-1}$  is a hash function, then a hash-to-ring function can be constructed as follows:

$$H_{|n|_{2-1}} : \{0, 1\}^* \rightarrow \mathbb{Z}_r : s \mapsto H(s)_0 \cdot 2^0 + H(s)_1 \cdot 2^1 + \dots + H(s)_{k-2} \cdot 2^{k-2} \quad (4.36)$$

A drawback of this hash function is that the distribution of the hash values in  $\mathbb{Z}_n$  is not necessarily uniform. In fact, if  $n$  is larger than  $2^{k-1}$ , then by design  $H_{|n|_{2-1}}$  will never hash onto

values  $z \geq 2^{k-1}$ . Using this hashing method therefore generates approximately uniform hashes only if  $n$  is very close to  $2^{k-1}$ . In the worst case, when  $n = 2^k - 1$ , it misses almost half of all elements from  $\mathbb{Z}_n$ .

An advantage of this approach is that properties like preimage resistance or collision resistance (see section 4.1.7.1) of the original hash function  $H(\cdot)$  are preserved.

*Example 58.* To examine the uniformity of hashing into  $\mathbb{Z}_n$  using the method described in 4.36, consider a modulus  $n$  that representable as a 5-bit binary number, indicating that  $n$  is an integer within the range  $16 \leq n < 32$ .

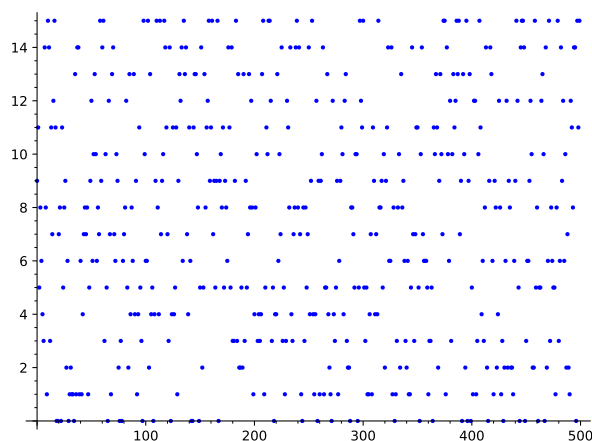
The most uniform hash distribution occurs when  $n = 16$ , because the ring  $\mathbb{Z}_{16}$  consists of the elements  $\{0, 1, \dots, 15\}$ . In this scenario, we can utilize the hash function  $H_{|n|_2-1}$  by truncating the *SHA256* hash, as demonstrated in example 47, to the first 4 bits. This allows us to define a hash function into  $\mathbb{Z}_{16}$  as follows:

$$H_{|16|_2-5} : \{0, 1\}^* \rightarrow \mathbb{Z}_{16} : s \mapsto \text{SHA256}(s)_0 \cdot 2^0 + \text{SHA256}(s)_1 \cdot 2^1 + \dots + \text{SHA256}(s)_3 \cdot 2^3$$

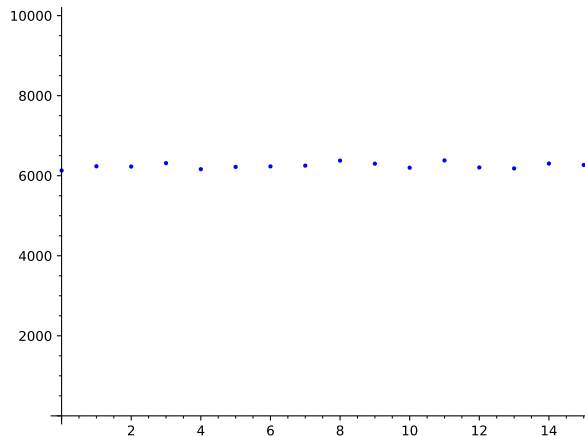
Since  $k = |16|_2 = 5$  and  $16 - 2^{k-1} = 0$ , this hash maps uniformly onto  $\mathbb{Z}_{16}$ . We can use Sage to implement it:

```
sage: import hashlib 194
sage: def Hash5(x): 195
.....:     hasher = hashlib.sha256(x) # compute SHA56 196
.....:     digest = hasher.hexdigest() 197
.....:     d = ZZ(digest, base=16) # cast to integer 198
.....:     d = d.str(2)[-4:] # keep 4 least significant bits 199
.....:     d = ZZ(d, base=2) # cast to integer 200
.....:     return d 201
sage: Hash5(b' ') 202
5 203
```

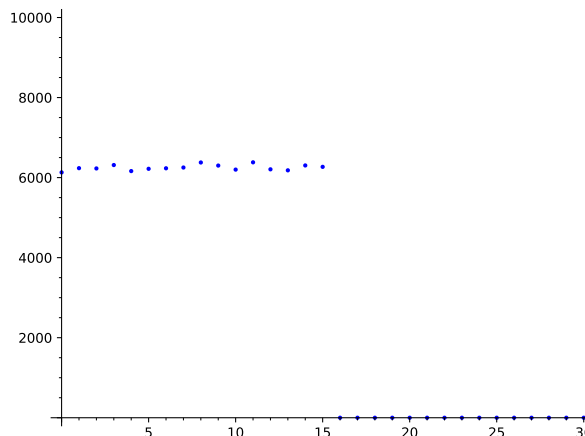
We can then use Sage to apply this function to a large set of input values in order to plot a visualization of the distribution over the set  $\{0, \dots, 15\}$ . Executing over 500 input values gives the following plot:



To get an intuition of uniformity, we can count the number of times the hash function  $H_{|16|_2-1}$  maps onto each number in the set  $\{0, 1, \dots, 15\}$  in a loop of 100000 hashes, and compare that to the ideal uniform distribution, which would map exactly 6250 samples to each element. This gives the following result:



The lack of uniformity becomes apparent if we want to construct a similar hash function for  $\mathbb{Z}_n$  for any other 5 bit integer  $n$  in the range  $17 \leq n < 32$ . In this case, the definition of the hash function is exactly the same as for  $\mathbb{Z}_{16}$ , and hence, the images will not exceed the value 15. So, for example, even in the case of hashing to  $\mathbb{Z}_{31}$ , the hash function never maps to any value larger than 15, leaving almost half of all numbers out of the image range.



A second widely used method of hashing into  $\mathbb{Z}_n$  is constructed by observing the following: If  $n$  is a modulus with a bit-length of  $|n|_2 = k_1$ , and  $H : \{0, 1\}^* \rightarrow \{0, 1\}^{k_2}$  is a hash function that produces digests of size  $k_2$ , and  $k_2 \geq k_1$ , then a hash-to-ring function can be constructed by interpreting the image of  $H$  as a binary representation of an integer, and then taking the modulus by  $n$  to map into  $\mathbb{Z}_n$ :

$$H'_{mod_n} : \{0, 1\}^* \rightarrow \mathbb{Z}_n : s \mapsto \left( H(s)_0 \cdot 2^0 + H(s)_1 \cdot 2^1 + \dots + H(s)_{k_2} \cdot 2^{k_2} \right) \bmod n \quad (4.37)$$

A drawback of this hash function is that computing the modulus requires some computational effort. In addition, the distribution of the hash values in  $\mathbb{Z}_n$  might not be uniform, depending on the number  $2^{k_2+1} \bmod n$ . An advantage of this function is that potential properties of the original hash function  $H(\cdot)$  (like preimage resistance or collision resistance) are preserved, and the distribution can be made almost uniform, with only negligible bias depending on what modulus  $n$  and images size  $k_2$  are chosen.

*Example 59.* To give an implementation of the  $H_{mod_n}$  hash function, we use  $k_2$ -bit truncation of the *SHA256* hash from example 47, and define a hash into  $\mathbb{Z}_{23}$  as follows:

$$H_{mod_{23}, k_2} : \{0, 1\}^* \rightarrow \mathbb{Z}_{23} : s \mapsto \left( SHA256(s)_0 \cdot 2^0 + SHA256(s)_1 \cdot 2^1 + \dots + SHA256(s)_{k_2} \cdot 2^{k_2} \right) \bmod 23$$



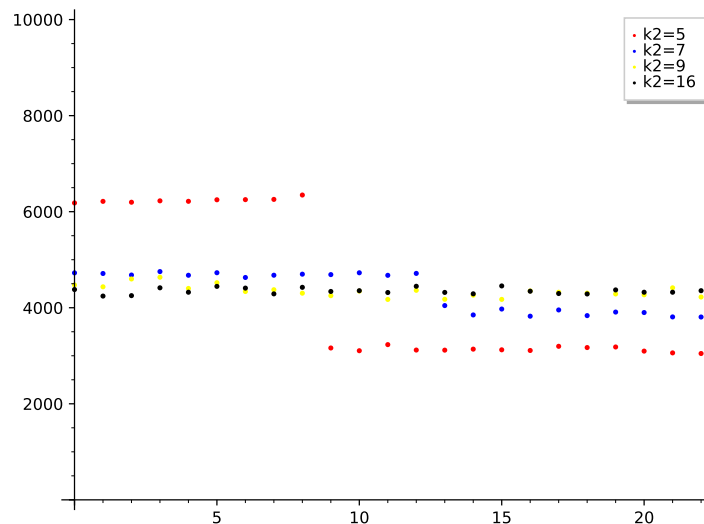
We want to use various instantiations of  $k_2$  to visualize the impact of truncation length on the distribution of the hashes in  $\mathbb{Z}_{23}$ . We can use Sage to implement it as follows:

```

sage: import hashlib                                     204
sage: Z23 = Integers(23)                                205
sage: def Hash_mod23(x, k2):                             206
.....:     hasher = hashlib.sha256(x.encode('utf-8')) # Compute 207
        SHA256
.....:     digest = hasher.hexdigest()                   208
.....:     d = ZZ(digest, base=16) # cast to integer      209
.....:     d = d.str(2)[-k2:] # keep k2+1 LSB            210
.....:     d = ZZ(d, base=2) # cast to integer            211
.....:     return Z23(d) # cast to Z23                   212

```

We can then use Sage to apply this function to a large set of input values in order to plot visualizations of the distribution over the set  $\{0, \dots, 22\}$  for various values of  $k_2$ , by counting the number of times it maps onto each number in a loop of 100000 hashes. We get the following plot:



#### 4.2.1.1 The “try-and-increment” method

A third method that can sometimes be found in implementations is the so-called “**try-and-increment**” method. To understand this method, we define an integer  $z \in \mathbb{Z}$  from any hash value  $H(s)$  as we did in the previous methods:

$$z = H(s)_0 \cdot 2^0 + H(s)_1 \cdot 2^1 + \dots + H(s)_k \cdot 2^k \quad (4.38)$$

Hashing into  $\mathbb{Z}_n$  is then achievable by first computing  $z$ , and then trying to see if  $z \in \mathbb{Z}_n$ . If it is, then the hash is done; if not, the string  $s$  is modified in a deterministic way and the process is repeated until a suitable element  $z \in \mathbb{Z}_n$  is found. A suitable, deterministic modification could be to concatenate the original string by some bit counter. A “try-and-increment” algorithm would then work like in algorithm 6.

Depending on the parameters, this method can be very efficient. In fact, if  $k$  is sufficiently large and  $n$  is close to  $2^{k+1}$ , the probability for  $z < n$  is very high, and the repeat loop will almost always be executed a single time only. A drawback is, however, that the probability of having to execute the loop multiple times is not zero.

**Algorithm 6** Hash-to- $\mathbb{Z}_n$ **Require:**  $n \in \mathbb{Z}$  with  $|n|_2 = k$  and  $s \in \{0, 1\}^*$ **procedure** TRY-AND-INCREMENT( $n, k, s$ ) $c \leftarrow 0$ **repeat** $s' \leftarrow s || c\_bits()$  $z \leftarrow H(s')_0 \cdot 2^0 + H(s')_1 \cdot 2^1 + \dots + H(s')_k \cdot 2^k$  $c \leftarrow c + 1$ **until**  $z < n$ **return**  $x$ **end procedure****Ensure:**  $z \in \mathbb{Z}_n$ 

### 4.3 Fields

We started this chapter with the definition of a group (section 4.1), which we then expanded into the definition of a commutative ring with a unit (section 4.2). These types of rings generalize the behavior of integers. In this section, we look at those special cases of commutative rings where every element other than the neutral element of addition has a multiplicative inverse. Those structures behave very much like the set of rational numbers  $\mathbb{Q}$ . Rational numbers are, in a sense, an extension of the ring of integers, that is, they are constructed by including newly defined multiplicative inverses (fractions) to the integers. Fields are defined as follows:

*Definition 4.3.0.1 (Field).* A **field**  $(\mathbb{F}, +, \cdot)$  is a set  $\mathbb{F}$  with two maps  $+$  :  $\mathbb{F} \times \mathbb{F} \rightarrow \mathbb{F}$  and  $\cdot$  :  $\mathbb{F} \times \mathbb{F} \rightarrow \mathbb{F}$  called **addition** and **multiplication**, such that the following conditions hold:

- $(\mathbb{F}, +)$  is a commutative group, where the neutral element is denoted by 0.
- $(\mathbb{F} \setminus \{0\}, \cdot)$  is a commutative group, where the neutral element is denoted by 1.
- (Distributivity) The equation  $g_1 \cdot (g_2 + g_3) = g_1 \cdot g_2 + g_1 \cdot g_3$  holds for all  $g_1, g_2, g_3 \in \mathbb{F}$ .

If  $(\mathbb{F}, +, \cdot)$  is a field and  $\mathbb{F}' \subset \mathbb{F}$  is a subset of  $\mathbb{F}$  such that the restriction of addition and multiplication to  $\mathbb{F}'$  define a field with addition  $+$  :  $\mathbb{F}' \times \mathbb{F}' \rightarrow \mathbb{F}'$  and multiplication  $\cdot$  :  $\mathbb{F}' \times \mathbb{F}' \rightarrow \mathbb{F}'$  on  $\mathbb{F}'$ , then  $(\mathbb{F}', +, \cdot)$  is called a **subfield** of  $(\mathbb{F}, +, \cdot)$  and  $(\mathbb{F}, +, \cdot)$  is called an **extension field** of  $(\mathbb{F}', +, \cdot)$ .

*Notation and Symbols 10.* If there is no risk of ambiguity (about what the addition and multiplication maps of a field are), we frequently omit the symbols  $+$  and  $\cdot$ , and simply write  $\mathbb{F}$  as notation for a field, keeping maps implicit. In this case, we also say that  $\mathbb{F}$  is of field type, indicating that  $\mathbb{F}$  is not simply a set but a set with an addition and a multiplication map that satisfies the definition of a field (4.3.0.1).<sup>9</sup>

We call  $(\mathbb{F}, +)$  the **additive group** of the field. We use the notation  $\mathbb{F}^* := \mathbb{F} \setminus \{0\}$  for the set of all elements excluding the neutral element of addition, called  $(\mathbb{F}^*, \cdot)$  the **multiplicative group** of the field.

The **characteristic** of a field  $\mathbb{F}$ , represented as  $char(\mathbb{F})$ , is the smallest natural number  $n \geq 1$  for which the  $n$ -fold sum of the multiplicative neutral element 1 equals zero, i.e. for which

<sup>9</sup>Since fields are of great importance in cryptography and number theory, many books exist on that topic. For a general introduction, see, for example, chapter 6, section 1 in Mignotte [1992], or chapter 1, section 2 in Lidl and Niederreiter [1986].

$\sum_{i=1}^n 1 = 0$ . If such an  $n > 0$  exists, the field is said to have a **finite characteristic**. If, on the other hand, every finite sum of 1 is such that it is not equal to zero, then the field is defined to have characteristic 0.

*Example 60* (Field of rational numbers). Probably the best known example of a field is the set of rational numbers  $\mathbb{Q}$  together with the usual definition of addition, subtraction, multiplication and division. Since there is no natural number  $n \in \mathbb{N}$  such that  $\sum_{j=0}^n 1 = 0$  in the set of rational numbers, the characteristic of the field  $\mathbb{Q}$  is given by  $\text{char}(\mathbb{Q}) = 0$ .

**sage: QQ** 213  
**Rational Field** 214

*Example 61* (Field with two elements). It can be shown that, in any field, the neutral element of addition 0 must be different from the neutral element of multiplication 1, that is,  $0 \neq 1$  always holds in a field. This means that the smallest field must contain at least two elements. As the following addition and multiplication tables show, there is indeed a field with two elements, which is usually called  $\mathbb{F}_2$ :

Let  $\mathbb{F}_2 := \{0, 1\}$  be a set that contains two elements, and let addition and multiplication on  $\mathbb{F}_2$  be defined as follows:

$$\begin{array}{c|cc} + & 0 & 1 \\ \hline 0 & 0 & 1 \\ 1 & 1 & 0 \end{array} \qquad \begin{array}{c|cc} \cdot & 0 & 1 \\ \hline 0 & 0 & 0 \\ 1 & 0 & 1 \end{array} \qquad (4.39)$$

Since  $1 + 1 = 0$  in the field  $\mathbb{F}_2$ , we know that the characteristic of  $\mathbb{F}_2$  given by  $\text{char}(\mathbb{F}_2) = 2$ . The multiplicative subgroup  $\mathbb{F}_2^*$  of  $\mathbb{F}_2$  is given by the trivial group  $\{1\}$ .

**sage: F2 = GF(2)** 215  
**sage: F2(1) # Get an element from GF(2)** 216  
**1** 217  
**sage: F2(1) + F2(1) # Addition** 218  
**0** 219  
**sage: F2(1) / F2(1) # Division** 220  
**1** 221

*Exercise 47.* Consider the ring of modular 5 arithmetics  $(\mathbb{Z}_5, +, \cdot)$  from example 16. Show that  $(\mathbb{Z}_5, +, \cdot)$  is a field. What is the characteristic of  $\mathbb{Z}_5$ ? Prove that the equation  $a \cdot x = b$  has only a single solution  $x \in \mathbb{Z}_5$  for any given  $a, b \in \mathbb{Z}_5^*$ .

*Exercise 48.* Consider the ring of modular 6 arithmetics  $(\mathbb{Z}_6, +, \cdot)$  from example 11. Show that  $(\mathbb{Z}_6, +, \cdot)$  is not a field.

### 4.3.1 Prime fields

As we have seen in many of the examples in previous sections, modular arithmetic behaves similarly to the ordinary arithmetics of integers in many ways. This is due to the fact that remainder class sets  $\mathbb{Z}_n$  are commutative rings with units (see example 54).

However, we have also seen in example 37 that, whenever the modulus is a prime number, every remainder class other than the zero class has a modular multiplicative inverse. This is an important observation, since it immediately implies that, in case the modulus is a prime number, the remainder class set  $\mathbb{Z}_n$  is not just a ring but actually a **field**. Moreover, since  $\sum_{j=0}^n 1 = 0$  in  $\mathbb{Z}_n$ , we know that those fields have the finite characteristic  $n$ .

*Notation and Symbols 11 (Prime Fields).* Let  $p \in \mathbb{P}$  be a prime number and  $(\mathbb{Z}_p, +, \cdot)$  the ring of modular  $p$  arithmetics (see example 54). To distinguish prime fields from arbitrary modular arithmetic rings, we write  $(\mathbb{F}_p, +, \cdot)$  for the ring of modular  $p$  arithmetics and call it the **prime field** of characteristic  $p$ .

Prime fields are the foundation of many of the contemporary algebra-based cryptographic systems, as they have a number of desirable properties. One of these is that any prime field of characteristic  $p$  contains exactly  $p$  elements, which can be represented on a computer with not more than  $\log_2(p)$  many bits. On the other hand, fields like rational numbers require a potentially unbounded amount of bits for any full-precision representation.<sup>10</sup>

Since prime fields are special cases of modular arithmetic rings, addition and multiplication can be computed by first doing normal integer addition and multiplication, and then considering the remainder in Euclidean division by  $p$  as the result. For any prime field element  $x \in \mathbb{F}_p$ , its additive inverse (the negative) is given by  $-x = p - x \bmod p$ . For  $x \neq 0$ , the multiplicative inverse always exists, and is given by  $x^{-1} = x^{p-2}$ . Division is then defined by multiplication with the multiplicative inverse, as explained in section 3.3.5. Alternatively, the multiplicative inverse can be computed using the Extended Euclidean Algorithm as explained in (3.24).

*Example 62.* The smallest field is the field  $\mathbb{F}_2$  of characteristic 2, as we have seen in example 61. It is the prime field of the prime number 2.

*Example 63.* The field  $\mathbb{F}_5$  from example 16 is a prime field, as defined by its addition and multiplication table (3.25).

*Example 64.* To summarize the basic aspects of computation in prime fields, let us consider the prime field  $\mathbb{F}_5$  (example 16) and simplify the following expression:

$$\left(\frac{2}{3} - 2\right) \cdot 2 \tag{4.40}$$

The first thing to note is that, since  $\mathbb{F}_5$  is a field, all rules are identical to the rules we learned in school when we were dealing with rational, real or complex numbers. This means we can use methods like bracketing (distributivity) or addition as usual. For ease of computation, we can consult the addition and multiplication tables in (3.25).

$$\begin{aligned} \left(\frac{2}{3} - 2\right) \cdot 2 &= \frac{2}{3} \cdot 2 - 2 \cdot 2 && \# \text{ distributive law} \\ &= \frac{2 \cdot 2}{3} - 2 \cdot 2 && 4 \bmod 5 = 4 \\ &= \frac{4}{3} - 4 && \# \text{ multiplicative inverse of 3 is } 3^{5-2} \bmod 5 = 2 \\ &= 4 \cdot 2 - 4 && \# \text{ additive inverse of 4 is } 5 - 4 = 1 \\ &= 4 \cdot 2 + 1 && 8 \bmod 5 = 3 \\ &= 3 + 1 && 4 \bmod 5 = 4 \\ &= 4 \end{aligned}$$

In this example, we computed the multiplicative inverse of 3 using the identity  $x^{-1} = x^{p-2}$  in a prime field. This is impractical for large prime numbers. Recall that another way of computing the multiplicative inverse is the Extended Euclidean Algorithm (see 3.12). To refresh

<sup>10</sup>For a detailed introduction to the theory of prime fields, see, for example, chapter 2 in Lidl and Niederreiter [1986], or chapter 6 in Mignotte [1992].

our memory, the algorithm solves the equation  $x^{-1} \cdot 3 + t \cdot 5 = 1$ , for  $x^{-1}$  (even though  $t$  is irrelevant in this case). We get the following:

$$\begin{array}{c|ccc}
 k & r_k & x_k^{-1} & t_k \\
 \hline
 0 & 3 & 1 & \cdot \\
 1 & 5 & 0 & \cdot \\
 2 & 3 & 1 & \cdot \\
 3 & 2 & -1 & \cdot \\
 4 & 1 & 2 & \cdot
 \end{array} \tag{4.41}$$

So the multiplicative inverse of 3 in  $\mathbb{Z}_5$  is 2, and, indeed, if we compute the product of 3 with its multiplicative inverse 2, we get the neutral element 1 in  $\mathbb{F}_5$ .

*Exercise 49* (Prime field  $\mathbb{F}_3$ ). Construct the addition and multiplication table of the prime field  $\mathbb{F}_3$ .

*Exercise 50* (Prime field  $\mathbb{F}_{13}$ ). Construct the addition and multiplication table of the prime field  $\mathbb{F}_{13}$ .

*Exercise 51*. Consider the prime field  $\mathbb{F}_{13}$  from exercise 50. Find the set of all pairs  $(x, y) \in \mathbb{F}_{13} \times \mathbb{F}_{13}$  that satisfy the following equation:

$$x^2 + y^2 = 1 + 7 \cdot x^2 \cdot y^2 \tag{4.42}$$

### 4.3.2 Square Roots

As we know from integer arithmetics, some integers, like 4 or 9, are squares of other integers: for example,  $4 = 2^2$  and  $9 = 3^2$ . However, we also know that not all integers are squares of other integers: for example, there is no integers  $x \in \mathbb{Z}$  such that  $x^2 = 2$ . If an integer  $a$  is square of another integer  $b$ , then it make sense to define the square root of  $a$  to be  $b$ .

In the context of prime fields, an element that is a square of another element is also called a **quadratic residue**, and an element that is not a square of another element is called a **quadratic non-residue**. This distinction is of particular importance in our studies on elliptic curves (chapter 5), as only square numbers can actually be points on an elliptic curve.

To make the intuition of quadratic residues and their roots precise, we give the following definition:

*Definition 4.3.2.1.* let  $p \in \mathbb{P}$  be a prime number and  $\mathbb{F}_p$  its associated prime field. Then a number  $x \in \mathbb{F}_p$  is called a **square root** of another number  $y \in \mathbb{F}_p$ , if  $x$  is a solution to the following equation:

$$x^2 = y \tag{4.43}$$

In this case,  $y$  is called a **quadratic residue**. On the other hand, if  $y$  is given and the quadratic equation has no solution  $x$ , we call  $y$  a **quadratic non-residue**.<sup>11</sup>

For any  $y \in \mathbb{F}_p$ , we denote the set of all square roots of  $y$  in the prime field  $\mathbb{F}_p$  as follows:

$$\sqrt{y} := \{x \in \mathbb{F}_p \mid x^2 = y\} \tag{4.44}$$

Informally speaking, quadratic residues are numbers that have a square root, while quadratic non-residues are numbers that don't have square roots. The situation therefore parallels the

<sup>11</sup>A more detailed introduction to quadratic residues and their square roots in addition with an introduction to algorithms that compute square roots can be found, for example, in chapter 1, section 1.5 of Cohen [2010].

familiar case of integers, where some integers like 4 or 9 have a square root, and others like 2 or 3 don't (within the ring of integers).

If  $y$  is a quadratic non-residue, then  $\sqrt{y} = \emptyset$  (an empty set), and if  $y = 0$ , then  $\sqrt{y} = \{0\}$ .

Moreover if  $y \neq 0$  is a quadratic residue, then it has precisely two roots  $\sqrt{y} = \{x, p-x\}$  for some  $x \in \mathbb{F}_p$ . We adopt the convention to call the smaller one (when interpreted as an integer) the **positive square root** and the larger one the **negative square root**.

If  $p \in \mathbb{P}_{\geq 3}$  is an odd prime number with associated prime field  $\mathbb{F}_p$ , then there are precisely  $(p+1)/2$  many quadratic residues and  $(p-1)/2$  quadratic non-residues.

*Example 65* (Quadratic residues and roots in  $\mathbb{F}_5$ ). Let us consider the prime field  $\mathbb{F}_5$  from example 16 again. All square numbers can be found on the main diagonal of the multiplication table in (3.25). As you can see, in  $\mathbb{F}_5$ , only the numbers 0, 1 and 4 have square roots:  $\sqrt{0} = \{0\}$ ,  $\sqrt{1} = \{1, 4\}$ ,  $\sqrt{2} = \emptyset$ ,  $\sqrt{3} = \emptyset$  and  $\sqrt{4} = \{2, 3\}$ . The numbers 0, 1 and 4 are therefore quadratic residues, while the numbers 2 and 3 are quadratic non-residues.

In order to describe whether an element of a prime field is a square number or not, the so-called **Legendre symbol** can sometimes be found in the literature (e.g. chapter 1, section 1.5. of Cohen [2010]), defined as follows:

Let  $p \in \mathbb{P}$  be a prime number and  $y \in \mathbb{F}_p$  an element from the associated prime field. Then the *Legendre symbol* of  $y$  is defined as follows:

$$\left(\frac{y}{p}\right) := \begin{cases} 1 & \text{if } y \text{ has square roots} \\ -1 & \text{if } y \text{ has no square roots} \\ 0 & \text{if } y = 0 \end{cases} \quad (4.45)$$

*Example 66.* Looking at the quadratic residues and non-residues in  $\mathbb{F}_5$  from example 16 again, we can deduce the following Legendre symbols based on example 65.

$$\left(\frac{0}{5}\right) = 0, \quad \left(\frac{1}{5}\right) = 1, \quad \left(\frac{2}{5}\right) = -1, \quad \left(\frac{3}{5}\right) = -1, \quad \left(\frac{4}{5}\right) = 1.$$

The Legendre symbol provides a criterion to decide whether or not an element from a prime field has a quadratic root or not. This, however, is not just of theoretical use: the so-called **Euler criterion** provides a compact way to actually compute the Legendre symbol. To see that, let  $p \in \mathbb{P}_{\geq 3}$  be an odd prime number and  $y \in \mathbb{F}_p$ . Then the Legendre symbol can be computed as follows:

$$\left(\frac{y}{p}\right) = y^{\frac{p-1}{2}} \quad (4.46)$$

*Example 67.* Looking at the quadratic residues and non-residues in  $\mathbb{F}_5$  from example 65 again, we can compute the following Legendre symbols using the Euler criterion:

$$\begin{aligned} \left(\frac{0}{5}\right) &= 0^{\frac{5-1}{2}} = 0^2 = 0 \\ \left(\frac{1}{5}\right) &= 1^{\frac{5-1}{2}} = 1^2 = 1 \\ \left(\frac{2}{5}\right) &= 2^{\frac{5-1}{2}} = 2^2 = 4 = -1 \\ \left(\frac{3}{5}\right) &= 3^{\frac{5-1}{2}} = 3^2 = 4 = -1 \\ \left(\frac{4}{5}\right) &= 4^{\frac{5-1}{2}} = 4^2 = 1 \end{aligned}$$

*Exercise 52.* Consider the prime field  $\mathbb{F}_{13}$  from exercise 50. Compute the Legendre symbol  $\left(\frac{x}{13}\right)$  and the set of roots  $\sqrt{x}$  for all elements  $x \in \mathbb{F}_{13}$ .

### 4.3.2.1 Hashing into prime fields

An important problem in cryptography is the ability to hash to (various subsets) of elliptic curves. As we will see in chapter 5, those curves are often defined over prime fields, and hashing to a curve might start with hashing to the prime field. It is therefore important to understand how to hash into prime fields.

In section 4.2.1, we looked at a few methods of hashing into the modular arithmetic rings  $\mathbb{Z}_n$  for arbitrary  $n > 1$ . As prime fields are just special instances of those rings, all methods for hashing into  $\mathbb{Z}_n$  functions can be used for hashing into prime fields, too.

## 4.3.3 Prime Field Extensions

Prime fields, as defined in the previous section, are basic building blocks of cryptography. However, as we will see in chapter 8, so-called pairing-based SNARK systems are crucially dependent on certain group pairings (4.9) defined on elliptic curves over **prime field extensions**. In this section, we therefore introduce those extensions.<sup>12</sup>

Given some prime number  $p \in \mathbb{P}$ , a natural number  $m \in \mathbb{N}$ , and an irreducible polynomial  $P \in \mathbb{F}_p[x]$  of degree  $m$  with coefficients from the prime field  $\mathbb{F}_p$ , a prime field extension  $(\mathbb{F}_{p^m}, +, \cdot)$  is defined as follows.

The set  $\mathbb{F}_{p^m}$  of the prime field extension is given by the set of all polynomials with a degree less than  $m$ :

$$\mathbb{F}_{p^m} := \{a_{m-1}x^{m-1} + a_{m-2}x^{m-2} + \dots + a_1x + a_0 \mid a_i \in \mathbb{F}_p\} \quad (4.47)$$

The addition law of the prime field extension  $\mathbb{F}_{p^m}$  is given by the usual addition of polynomials as defined in (3.29):

$$+ : \mathbb{F}_{p^m} \times \mathbb{F}_{p^m} \rightarrow \mathbb{F}_{p^m}, (\sum_{j=0}^m -1 a_j x^j, \sum_{j=0}^m -1 b_j x^j) \mapsto \sum_{j=0}^m -1 (a_j + b_j) x^j \quad (4.48)$$

The multiplication law of the prime field extension  $\mathbb{F}_{p^m}$  is given by first multiplying the two polynomials as defined in (3.30), then dividing the result by the irreducible polynomial  $P$  and keeping the remainder:

$$\cdot : \mathbb{F}_{p^m} \times \mathbb{F}_{p^m} \rightarrow \mathbb{F}_{p^m}, (\sum_{j=0}^m a_j x^j, \sum_{j=0}^m b_j x^j) \mapsto (\sum_{n=0}^{2m} \sum_{i=0}^n a_i b_{n-i} x^n) \bmod P \quad (4.49)$$

The neutral element of the additive group  $(\mathbb{F}_{p^m}, +)$  is given by the zero polynomial 0. The additive inverse is given by the polynomial with all negative coefficients. The neutral element of the multiplicative group  $(\mathbb{F}_{p^m}^*, \cdot)$  is given by the unit polynomial 1. The multiplicative inverse can be computed by the Extended Euclidean Algorithm (see 3.12).

We can see from the definition of  $\mathbb{F}_{p^m}$  that the field is of characteristic  $p$ , since the multiplicative neutral element 1 is equivalent to the multiplicative element 1 from the underlying prime field, and hence  $\sum_{j=0}^p 1 = 0$ . Moreover,  $\mathbb{F}_{p^m}$  is finite and contains  $p^m$  many elements, since elements are polynomials of degree  $< m$ , and every coefficient  $a_j$  can have  $p$  many different values. In addition, we see that the prime field  $\mathbb{F}_p$  is a subfield of  $\mathbb{F}_{p^m}$  that occurs when we restrict the elements of  $\mathbb{F}_{p^m}$  to polynomials of degree zero.

<sup>12</sup>A more detailed introduction can be found for example in chapter 2 of Lidl and Niederreiter [1986].

One key point is that the construction of  $\mathbb{F}_{p^m}$  depends on the choice of an irreducible polynomial, and, in fact, different choices will give different multiplication tables, since the remainders from dividing a polynomial product by those polynomials will be different.

It can, however, be shown that the fields for different choices of  $P$  are **isomorphic**, which means that there is a one-to-one correspondence between all of them. As a result, from an abstract point of view, they are the same thing. From an implementations point of view, however, some choices are preferable to others because they allow for faster computations.

*Remark 3.* Similarly to the way prime fields  $\mathbb{F}_p$  are generated by starting with the ring of integers and then dividing by a prime number  $p$  and keeping the remainder, prime field extensions  $\mathbb{F}_{p^m}$  are generated by starting with the ring  $\mathbb{F}_p[x]$  of polynomials and then dividing them by an irreducible polynomial of degree  $m$  and keeping the remainder.

In fact, it can be shown that  $\mathbb{F}_{p^m}$  is the set of all remainders when dividing any polynomial  $Q \in \mathbb{F}_p[x]$  by an irreducible polynomial  $P$  of degree  $m$ . This is analogous to how  $\mathbb{F}_p$  is the set of all remainders when dividing integers by  $p$ .

Any field  $\mathbb{F}_{p^m}$  constructed in the above manner is a field extension of  $\mathbb{F}_p$ . To be more general, a field  $\mathbb{F}_{p^{m_2}}$  is a field extension of a field  $\mathbb{F}_{p^{m_1}}$  if and only if  $m_1$  divides  $m_2$ . From this, we can deduce that, for any given fixed prime number, there are nested sequences of subfields whenever the power  $m_j$  divides the power  $m_{j+1}$ :

$$\mathbb{F}_p \subset \mathbb{F}_{p^{m_1}} \subset \cdots \subset \mathbb{F}_{p^{m_k}} \quad (4.50)$$

To get a more intuitive picture of this, we construct an extension field of the prime field  $\mathbb{F}_3$  in the following example, and we can see how  $\mathbb{F}_3$  sits inside that extension field.

*Example 68 (The Extension field  $\mathbb{F}_{3^2}$ ).* In exercise 49, we have constructed the prime field  $\mathbb{F}_3$ . In this example, we apply the definition of a field extension (4.47) to construct the extension field  $\mathbb{F}_{3^2}$ . We start by choosing an irreducible polynomial of degree 2 with coefficients in  $\mathbb{F}_3$ . We try  $P(t) = t^2 + 1$ . Possibly the fastest way to show that  $P$  is indeed irreducible is to just insert all elements from  $\mathbb{F}_3$  to see if the result is ever zero. We compute as follows:

$$\begin{aligned} P(0) &= 0^2 + 1 = 1 \\ P(1) &= 1^2 + 1 = 2 \\ P(2) &= 2^2 + 1 = 1 + 1 = 2 \end{aligned}$$

This implies that  $P$  is irreducible, since all factors must be of the form  $(t - a)$  for  $a$  being a root of  $P$ . The set  $\mathbb{F}_{3^2}$  contains all polynomials of degrees lower than two with coefficients in  $\mathbb{F}_3$ , which are precisely as listed below:

$$\mathbb{F}_{3^2} = \{0, 1, 2, t, t + 1, t + 2, 2t, 2t + 1, 2t + 2\} \quad (4.51)$$

As expected, our extension field contains 9 elements. Addition is defined as addition of polynomials; for example  $(t + 2) + (2t + 2) = (1 + 2)t + (2 + 2) = 1$ . Doing this computation



for all elements gives the following addition table

+	0	1	2	t	t+1	t+2	2t	2t+1	2t+2	
0	0	1	2	t	t+1	t+2	2t	2t+1	2t+2	
1	1	2	0	t+1	t+2	t	2t+1	2t+2	2t	
2	2	0	1	t+2	t	t+1	2t+2	2t	2t+1	
t	t	t+1	t+2	2t	2t+1	2t+2	0	1	2	
t+1	t+1	t+2	t	2t+1	2t+2	2t	1	2	0	(4.52)
t+2	t+2	t	t+1	2t+2	2t	2t+1	2	0	1	
2t	2t	2t+1	2t+2	0	1	2	t	t+1	t+2	
2t+1	2t+1	2t+2	2t	1	2	0	t+1	t+2	t	
2t+2	2t+2	2t	2t+1	2	0	1	t+2	t	t+1	

As we can see, the group  $(\mathbb{F}_3, +)$  is a subgroup of the group  $(\mathbb{F}_{3^2}, +)$ , obtained by only considering the first three rows and columns of this table.

We can use the addition table (4.52) to deduce the additive inverse (the negative) of any element from  $\mathbb{F}_{3^2}$ . For example, in  $\mathbb{F}_{3^2}$  we have  $-(2t + 1) = t + 2$ , since  $(2t + 1) + (t + 2) = 0$ .

Multiplication needs a bit more computation, as we first have to multiply the polynomials, and whenever the result has a degree  $\geq 2$ , we have to apply a polynomial division algorithm (algorithm 3) to divide the product by the polynomial  $P$  and keep the remainder. To see how this works, let us compute the product of  $t + 2$  and  $2t + 2$  in  $\mathbb{F}_{3^2}$ :

$$\begin{aligned}
 (t + 2) \cdot (2t + 2) &= (2t^2 + 2t + t + 1) \bmod (t^2 + 1) \\
 &= (2t^2 + 1) \bmod (t^2 + 1) && \# 2t^2 + 1 : t^2 + 1 = 2 + \frac{2}{t^2 + 1} \\
 &= 2
 \end{aligned}$$

This means that the product of  $t + 2$  and  $2t + 2$  in  $\mathbb{F}_{3^2}$  is 2. Performing this computation for all elements gives the following multiplication table:

·	0	1	2	t	t+1	t+2	2t	2t+1	2t+2	
0	0	0	0	0	0	0	0	0	0	
1	0	1	2	t	t+1	t+2	2t	2t+1	2t+2	
2	0	2	1	2t	2t+2	2t+1	t	t+2	t+1	
t	0	t	2t	2	t+2	2t+2	1	t+1	2t+1	
t+1	0	t+1	2t+2	t+2	2t	1	2t+1	2	t	(4.53)
t+2	0	t+2	2t+1	2t+2	1	t	t+1	2t	2	
2t	0	2t	t	1	2t+1	t+1	2	2t+2	t+2	
2t+1	0	2t+1	t+2	t+1	2	2t	2t+2	t	1	
2t+2	0	2t+2	t+1	2t+1	t	2	t+2	1	2t	

As was the case in previous examples, we can use the table (4.53) to deduce the multiplicative inverse of any non-zero element from  $\mathbb{F}_{3^2}$ . For example, in  $\mathbb{F}_{3^2}$  we have  $(2t + 1)^{-1} = 2t + 2$ , since  $(2t + 1) \cdot (2t + 2) = 1$ .

Looking at the multiplication table (4.53), we can also see that the only quadratic residues in  $\mathbb{F}_{3^2}$  are from the set  $\{0, 1, 2, t, 2t\}$ , with  $\sqrt{0} = \{0\}$ ,  $\sqrt{1} = \{1, 2\}$ ,  $\sqrt{2} = \{t, 2t\}$ ,  $\sqrt{t} = \{t + 2, 2t + 1\}$  and  $\sqrt{2t} = \{t + 1, 2t + 2\}$ .

Since  $\mathbb{F}_{3^2}$  is a field, we can solve equations as we would for other fields (such as rational numbers). To see that, let us find all  $x \in \mathbb{F}_{3^2}$  that solve the quadratic equation  $(t + 1)(x^2 + (2t +$

2)) = 2. We compute as follows:

$$\begin{aligned}
 (t+1)(x^2 + (2t+2)) &= 2 && \# 2 \text{ distributive law} \\
 (t+1)x^2 + (t+1)(2t+2) &= 2 \\
 (t+1)x^2 + (t) &= 2 && \# 2 \text{ add the additive inverse of } t \\
 (t+1)x^2 + (t) + (2t) &= (2) + (2t) \\
 (t+1)x^2 &= 2t+2 && \# \text{ multiply with the multiplicative inverse of } t+1 \\
 (t+2)(t+1)x^2 &= (t+2)(2t+2) && \# \text{ multiply with the multiplicative inverse of } t+1 \\
 x^2 &= 2 && \# 2 \text{ is quadratic residue. Take the roots.} \\
 x &\in \{t, 2t\}
 \end{aligned}$$

Computations in extension fields are arguably on the edge of what can reasonably be done with pen and paper. Fortunately, Sage provides us with a simple way to do these computations.

```

sage: Z3 = GF(3) # prime field 222
sage: Z3t.<t> = Z3[] # polynomials over Z3 223
sage: P = Z3t(t^2+1) 224
sage: P.is_irreducible() 225
True 226
sage: F3_2.<t> = GF(3^2, name='t', modulus=P) # Extension 227
      field F_3^2
sage: F3_2 228
Finite Field in t of size 3^2 229
sage: F3_2(t+2)*F3_2(2*t+2) == F3_2(2) 230
True 231
sage: F3_2(2*t+2)^(-1) # multiplicative inverse 232
2*t + 1 233
sage: # verify our solution to (t+1)(x^2 + (2t+2)) = 2 234
sage: F3_2(t+1)*(F3_2(t)**2 + F3_2(2*t+2)) == F3_2(2) 235
True 236
sage: F3_2(t+1)*(F3_2(2*t)**2 + F3_2(2*t+2)) == F3_2(2) 237
True 238

```

*Exercise 53.* Consider the extension field  $\mathbb{F}_{3^2}$  from the previous example and find all pairs of elements  $(x, y) \in \mathbb{F}_{3^2}$ , for which the following equation holds:

$$y^2 = x^3 + 4 \quad (4.54)$$

*Exercise 54.* Show that the polynomial  $Q = x^2 + x + 2$  from  $\mathbb{F}_3[x]$  is irreducible. Construct the multiplication table of  $\mathbb{F}_{3^2}$  with respect to  $Q$  and compare it to the multiplication table of  $\mathbb{F}_{3^2}$  from example 68.

*Exercise 55.* Show that the polynomial  $P = t^3 + t + 1$  from  $\mathbb{F}_5[t]$  is irreducible. Then consider the extension field  $\mathbb{F}_{5^3}$  defined relative to  $P$ . Compute the multiplicative inverse of  $(2t^2 + 4) \in \mathbb{F}_{5^3}$  using the Extended Euclidean Algorithm. Then find all  $x \in \mathbb{F}_{5^3}$  that solve the following equation:

$$(2t^2 + 4)(x - (t^2 + 4t + 2)) = (2t + 3) \quad (4.55)$$

*Exercise 56.* Consider the prime field  $\mathbb{F}_5$ . Show that the polynomial  $P = x^2 + 2$  from  $\mathbb{F}_5[x]$  is irreducible. Implement the finite field  $\mathbb{F}_{5^2}$  in Sage.

## 4.4 Projective Planes

Projective planes are particular geometric constructs defined over a given field. In a sense, projective planes extend the concept of the ordinary Euclidean plane by including “points at infinity.”<sup>13</sup>

To understand the idea of constructing of projective planes, note that, in an ordinary Euclidean plane, two lines either intersect in a single point or are parallel. In the latter case, both lines are either the same, that is, they intersect in all points, or do not intersect at all. A projective plane can then be thought of as an ordinary plane, but equipped with an additional “point at infinity” such that two different lines always intersect in a single point. Parallel lines intersect “at infinity”.

Such an inclusion of infinity points makes projective planes particularly useful in the description of elliptic curves, as the description of such a curve in an ordinary plane needs an additional symbol for “the point at infinity” to give the set of points on the curve the structure of a group 5.1. Translating the curve into projective geometry includes this “point at infinity” more naturally into the set of all points on a projective plane.

To be more precise, let  $\mathbb{F}$  be a field,  $\mathbb{F}^3 := \mathbb{F} \times \mathbb{F} \times \mathbb{F}$  the set of all tuples of three elements over  $\mathbb{F}$  and  $x \in \mathbb{F}^3$  with  $x = (X, Y, Z)$ . Then there is exactly one *line*  $L_x$  in  $\mathbb{F}^3$  that intersects both  $(0, 0, 0)$  and  $x$ , given by the set  $L_x = \{(k \cdot X, k \cdot Y, k \cdot Z) \mid k \in \mathbb{F}\}$ . A point in the **projective plane** over  $\mathbb{F}$  can then be defined as such a **line** if we exclude the intersection of that line with  $(0, 0, 0)$ . This leads to the following definition of a **point** in projective geometry:

$$[X : Y : Z] := \{(k \cdot X, k \cdot Y, k \cdot Z) \mid k \in \mathbb{F}^*\} \quad (4.56)$$

Points in projective geometry are therefore lines in  $\mathbb{F}^3$  where the intersection with  $(0, 0, 0)$  is excluded. Given a field  $\mathbb{F}$ , the **projective plane** of that field is then defined as the set of all points excluding the point  $[0 : 0 : 0]$ :

$$\mathbb{F}\mathbb{P}^2 := \{[X : Y : Z] \mid (X, Y, Z) \in \mathbb{F}^3 \text{ with } (X, Y, Z) \neq (0, 0, 0)\} \quad (4.57)$$

It can be shown that a projective plane over a finite field  $\mathbb{F}_{p^m}$  contains  $p^{2m} + p^m + 1$  number of elements.

To understand why the projective point  $[X : Y : Z]$  is also a line, consider the situation where the underlying field  $\mathbb{F}$  is the set of rational numbers  $\mathbb{Q}$ . In this case,  $\mathbb{Q}^3$  can be seen as the three-dimensional space, and  $[X : Y : Z]$  is an ordinary line in this 3-dimensional space that intersects zero and the point with coordinates  $X, Y$  and  $Z$  such that the intersection with zero is excluded.

The key observation here is that points in the projective plane  $\mathbb{F}\mathbb{P}^2$  are lines in the 3-dimensional space  $\mathbb{F}^3$ . However, it should be kept in mind that, for finite fields, the terms **space** and **line** share very little visual similarity with their counterparts over the set of rational numbers.

It follows from this that points  $[X : Y : Z] \in \mathbb{F}\mathbb{P}^2$  are not simply described by fixed coordinates  $(X, Y, Z)$ , but by **sets of coordinates**, where two different coordinates  $(X_1, Y_1, Z_1)$  and  $(X_2, Y_2, Z_2)$  describe the same point if and only if there is some non-zero field element  $k \in \mathbb{F}^*$  such that  $(X_1, Y_1, Z_1) = (k \cdot X_2, k \cdot Y_2, k \cdot Z_2)$ . Points  $[X : Y : Z]$  are called **projective coordinates**.

*Notation and Symbols* 12 (Projective coordinates). Projective coordinates of the form  $[X : Y : 1]$  are descriptions of so-called **affine points**. Projective coordinates of the form  $[X : Y : 0]$  are descriptions of so-called **points at infinity**. In particular, the projective coordinate  $[1 : 0 : 0]$  describes the so-called **line at infinity**.

<sup>13</sup>A detailed explanation of the ideas that lead to the definition of projective planes can be found, for example, in chapter 2 of Ellis and Ellis [1992] or in appendix A of Silverman and Tate [1994].

*Example 69.* Consider the field  $\mathbb{F}_3$  from exercise 49. As this field only contains three elements, it does not take too much effort to construct its associated projective plane  $\mathbb{F}_3\mathbb{P}^2$ , which we know only contains 13 elements.

To find  $\mathbb{F}_3\mathbb{P}^2$ , we have to compute the set of all lines in  $\mathbb{F}_3 \times \mathbb{F}_3 \times \mathbb{F}_3$  that intersect  $(0, 0, 0)$ , excluding their intersection with  $(0, 0, 0)$ . Since those lines are parameterized by tuples  $(x_1, x_2, x_3)$ , we compute as follows:

$$\begin{aligned}
[0 : 0 : 1] &= \{(k \cdot x_1, k \cdot x_2, k \cdot x_3) \mid k \in \mathbb{F}_3^*\} = \{(0, 0, 1), (0, 0, 2)\} \\
[0 : 0 : 2] &= \{(k \cdot x_1, k \cdot x_2, k \cdot x_3) \mid k \in \mathbb{F}_3^*\} = \{(0, 0, 2), (0, 0, 1)\} = [0 : 0 : 1] \\
[0 : 1 : 0] &= \{(k \cdot x_1, k \cdot x_2, k \cdot x_3) \mid k \in \mathbb{F}_3^*\} = \{(0, 1, 0), (0, 2, 0)\} \\
[0 : 1 : 1] &= \{(k \cdot x_1, k \cdot x_2, k \cdot x_3) \mid k \in \mathbb{F}_3^*\} = \{(0, 1, 1), (0, 2, 2)\} \\
[0 : 1 : 2] &= \{(k \cdot x_1, k \cdot x_2, k \cdot x_3) \mid k \in \mathbb{F}_3^*\} = \{(0, 1, 2), (0, 2, 1)\} \\
[0 : 2 : 0] &= \{(k \cdot x_1, k \cdot x_2, k \cdot x_3) \mid k \in \mathbb{F}_3^*\} = \{(0, 2, 0), (0, 1, 0)\} = [0 : 1 : 0] \\
[0 : 2 : 1] &= \{(k \cdot x_1, k \cdot x_2, k \cdot x_3) \mid k \in \mathbb{F}_3^*\} = \{(0, 2, 1), (0, 1, 2)\} = [0 : 1 : 2] \\
[0 : 2 : 2] &= \{(k \cdot x_1, k \cdot x_2, k \cdot x_3) \mid k \in \mathbb{F}_3^*\} = \{(0, 2, 2), (0, 1, 1)\} = [0 : 1 : 1] \\
[1 : 0 : 0] &= \{(k \cdot x_1, k \cdot x_2, k \cdot x_3) \mid k \in \mathbb{F}_3^*\} = \{(1, 0, 0), (2, 0, 0)\} \\
[1 : 0 : 1] &= \{(k \cdot x_1, k \cdot x_2, k \cdot x_3) \mid k \in \mathbb{F}_3^*\} = \{(1, 0, 1), (2, 0, 2)\} \\
[1 : 0 : 2] &= \{(k \cdot x_1, k \cdot x_2, k \cdot x_3) \mid k \in \mathbb{F}_3^*\} = \{(1, 0, 2), (2, 0, 1)\} \\
[1 : 1 : 0] &= \{(k \cdot x_1, k \cdot x_2, k \cdot x_3) \mid k \in \mathbb{F}_3^*\} = \{(1, 1, 0), (2, 2, 0)\} \\
[1 : 1 : 1] &= \{(k \cdot x_1, k \cdot x_2, k \cdot x_3) \mid k \in \mathbb{F}_3^*\} = \{(1, 1, 1), (2, 2, 2)\} \\
[1 : 1 : 2] &= \{(k \cdot x_1, k \cdot x_2, k \cdot x_3) \mid k \in \mathbb{F}_3^*\} = \{(1, 1, 2), (2, 2, 1)\} \\
[1 : 2 : 0] &= \{(k \cdot x_1, k \cdot x_2, k \cdot x_3) \mid k \in \mathbb{F}_3^*\} = \{(1, 2, 0), (2, 1, 0)\} \\
[1 : 2 : 1] &= \{(k \cdot x_1, k \cdot x_2, k \cdot x_3) \mid k \in \mathbb{F}_3^*\} = \{(1, 2, 1), (2, 1, 2)\} \\
[1 : 2 : 2] &= \{(k \cdot x_1, k \cdot x_2, k \cdot x_3) \mid k \in \mathbb{F}_3^*\} = \{(1, 2, 2), (2, 1, 1)\} \\
[2 : 0 : 0] &= \{(k \cdot x_1, k \cdot x_2, k \cdot x_3) \mid k \in \mathbb{F}_3^*\} = \{(2, 0, 0), (1, 0, 0)\} = [1 : 0 : 0] \\
[2 : 0 : 1] &= \{(k \cdot x_1, k \cdot x_2, k \cdot x_3) \mid k \in \mathbb{F}_3^*\} = \{(2, 0, 1), (1, 0, 2)\} = [1 : 0 : 2] \\
[2 : 0 : 2] &= \{(k \cdot x_1, k \cdot x_2, k \cdot x_3) \mid k \in \mathbb{F}_3^*\} = \{(2, 0, 2), (1, 0, 1)\} = [1 : 0 : 1] \\
[2 : 1 : 0] &= \{(k \cdot x_1, k \cdot x_2, k \cdot x_3) \mid k \in \mathbb{F}_3^*\} = \{(2, 1, 0), (1, 2, 0)\} = [1 : 2 : 0] \\
[2 : 1 : 1] &= \{(k \cdot x_1, k \cdot x_2, k \cdot x_3) \mid k \in \mathbb{F}_3^*\} = \{(2, 1, 1), (1, 2, 2)\} = [1 : 2 : 2] \\
[2 : 1 : 2] &= \{(k \cdot x_1, k \cdot x_2, k \cdot x_3) \mid k \in \mathbb{F}_3^*\} = \{(2, 1, 2), (1, 2, 1)\} = [1 : 2 : 1] \\
[2 : 2 : 0] &= \{(k \cdot x_1, k \cdot x_2, k \cdot x_3) \mid k \in \mathbb{F}_3^*\} = \{(2, 2, 0), (1, 1, 0)\} = [1 : 1 : 0] \\
[2 : 2 : 1] &= \{(k \cdot x_1, k \cdot x_2, k \cdot x_3) \mid k \in \mathbb{F}_3^*\} = \{(2, 2, 1), (1, 1, 2)\} = [1 : 1 : 2] \\
[2 : 2 : 2] &= \{(k \cdot x_1, k \cdot x_2, k \cdot x_3) \mid k \in \mathbb{F}_3^*\} = \{(2, 2, 2), (1, 1, 1)\} = [1 : 1 : 1]
\end{aligned}$$

These lines define the 13 points in the projective plane  $\mathbb{F}_3\mathbb{P}$ :

$$\begin{aligned}
\mathbb{F}_3\mathbb{P} = \{ & [0 : 0 : 1], [0 : 1 : 0], [0 : 1 : 1], [0 : 1 : 2], [1 : 0 : 0], [1 : 0 : 1], \\
& [1 : 0 : 2], [1 : 1 : 0], [1 : 1 : 1], [1 : 1 : 2], [1 : 2 : 0], [1 : 2 : 1], [1 : 2 : 2] \}
\end{aligned}$$

This projective plane contains 9 affine points, three points at infinity and one line at infinity.

To understand the ambiguity in projective coordinates a bit better, let us consider the point  $[1 : 2 : 2]$ . As this point in the projective plane is a line in  $\mathbb{F}_3^3 \setminus \{(0, 0, 0)\}$ , it has the projective coordinates  $(1, 2, 2)$  as well as  $(2, 1, 1)$ , since the former coordinate gives the latter when multiplied in  $\mathbb{F}_3$  by the factor 2. In addition, note that, for the same reasons, the points  $[1 : 2 : 2]$  and  $[2 : 1 : 1]$  are the same, since their underlying sets are equal.

*Exercise 57.* Construct the so-called **Fano plane**, that is, the projective plane over the finite field  $\mathbb{F}_2$ .

# Chapter 5

## Elliptic Curves

Generally speaking, elliptic curves are geometric objects in projective planes (see section 4.4) over a given field, made up of points that satisfy certain equations. One of their key features from the point of view of cryptography is that, if the underlying field is of positive characteristic, elliptic curves are finite, cyclic groups (section 4.1.1). Further, it is believed that, in this case, the Discrete Logarithm Problem (section 4.1.6.1) on many elliptic curve groups is hard, given that the underlying characteristic is large enough.<sup>1</sup>

A special class of elliptic curves are so-called pairing-friendly curves, which have a notation of a group pairing (section 4.9) attached to them, which has cryptographically advantageous properties.

In this chapter, we introduce elliptic curves as they are used in pairing-based approaches to the construction of SNARKs. The elliptic curves we consider are all defined over prime fields or prime field extensions, meaning that we rely heavily on the concepts and notations from chapter 4.

### 5.1 Short Weierstrass Curves

In this section, we introduce **Short Weierstrass curves**, which are the most general types of curves over finite fields of characteristics greater than 3 (see chapter 4.3), and start with their so-called **affine representation**.<sup>2</sup>

We then introduce the elliptic curve group law, and describe elliptic curve scalar multiplication, which is an instantiation of the exponential map of general cyclic groups 4.2. After that, we look at the projective representation of elliptic curves, which has the advantage that no special symbol is necessary to represent the point at infinity.<sup>3</sup>

We finish this section with an explicit equivalence that transforms the affine representations into projective representations and vice versa.

---

<sup>1</sup>An in-depth introduction to elliptic curves is given, for example, in Silverman and Tate [1994]. An introduction from a cryptographic point of view is given in Hoffstein et al. [2008].

<sup>2</sup>Introducing elliptic curves in their affine representation is probably not the most common and conceptually cleanest way, but we believe that such an introduction makes elliptic curves more understandable to beginners, since an elliptic curve in the affine representation is just a set of pairs of numbers, so it is more accessible to readers unfamiliar with projective coordinates. However, the affine representation has the disadvantage that a special “point at infinity” that is not a point on the curve, is necessary to describe the curve’s group structure.

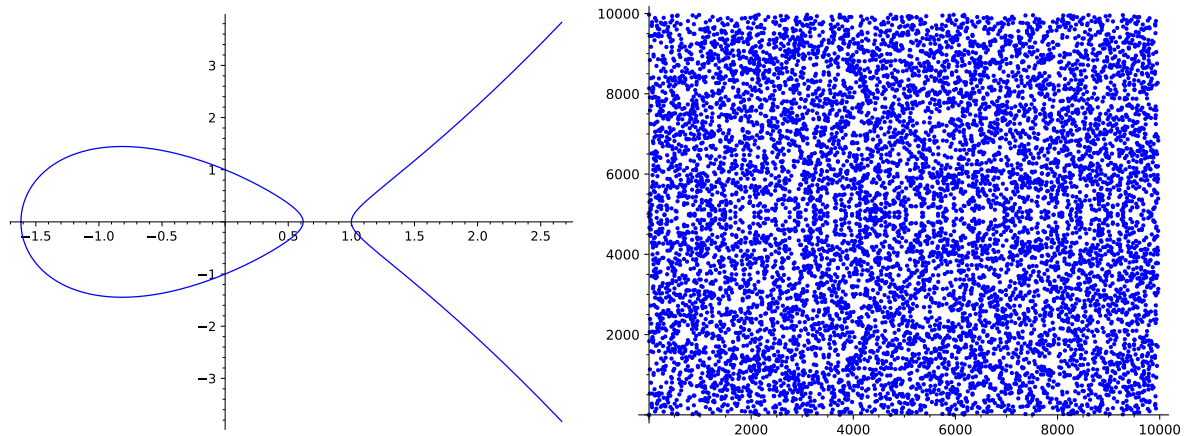
<sup>3</sup>As this representation is conceptually more straightforward, this is how elliptic curves are usually introduced in math classes. We believe a the major drawback from a beginner’s point of view is that in the projective representation, points are elements from projective planes, which are classes of numbers.

### 5.1.1 Affine Short Weierstrass form

Probably the least abstract and most straight-forward way to introduce elliptic curves for non-mathematicians and beginners is the so-called **affine representation** of a **Short Weierstrass curve**. To see what this is, let  $\mathbb{F}$  be a finite field of characteristic  $q$  with  $q > 3$ , and let  $a, b \in \mathbb{F}$  be two field elements such that the so-called **discriminant**  $4a^3 + 27b^2$  is not equal to zero. Then a **Short Weierstrass elliptic curve**  $E_{a,b}(\mathbb{F})$  over  $\mathbb{F}$  in its affine representation is the set of all pairs of field elements  $(x, y) \in \mathbb{F} \times \mathbb{F}$  that satisfy the Short Weierstrass cubic equation  $y^2 = x^3 + a \cdot x + b$ , together with a distinguished symbol  $\mathcal{O}$ , called the **point at infinity**:

$$E_{a,b}(\mathbb{F}) = \{(x, y) \in \mathbb{F} \times \mathbb{F} \mid y^2 = x^3 + a \cdot x + b\} \cup \{\mathcal{O}\} \quad (5.1)$$

The term “curve” is used here because, if an elliptic curve is defined over a characteristic zero field, like the field  $\mathbb{Q}$  of rational numbers, the set of all points  $(x, y) \in \mathbb{Q} \times \mathbb{Q}$  that satisfy  $y^2 = x^3 + a \cdot x + b$  looks like a curve. We should note, however, that visualizing elliptic curves over finite fields as “curves” has its limitations, and we will therefore not dwell on the geometric picture too much, but focus on the computational properties instead. To understand the visual difference, consider the following two elliptic curves:



Both elliptic curves are defined by the same Short Weierstrass equation  $y^2 = x^3 - 2x + 1$ , but the first curve is defined over the rational numbers  $\mathbb{Q}$ , that is, the pair  $(x, y)$  contains rational numbers, while the second one is defined over the prime field  $\mathbb{F}_{9973}$ , which means that both coordinates  $x$  and  $y$  are from the prime field  $\mathbb{F}_{9973}$ . Every blue dot represents a pair  $(x, y)$  that is a solution to  $y^2 = x^3 - 2x + 1$ . As we can see, the second curve hardly looks like a geometric structure one would naturally call a curve. This shows that our geometric intuitions from  $\mathbb{Q}$  are obfuscated curves over finite fields.

The equation  $4a^3 + 27b^2 \neq 0$  ensures that the curve is **non-singular**, which loosely means that the curve has no cusps or self-intersections in the geometric sense, if seen as an actual curve. As we will see in 5.1.2, cusps and self-intersections would make the group law potentially ambiguous.

Throughout this book, we have encouraged you to do as many computations in a pen-and-paper fashion as possible, as this helps getting a deeper understanding of the details. However, when dealing with elliptic curves, computations can quickly become cumbersome and tedious, and we might get lost in the details. Fortunately, Sage is very helpful in dealing with elliptic curves. The following snippet shows a way to define elliptic curves and how to work with them in Sage:

```
sage: F5 = GF(5) # define the base field
```

```

sage: a = F5(2) # parameter a                240
sage: b = F5(4) # parameter b                241
sage: # check discriminant                    242
sage: F5(6)*(F5(4)*a^3+F5(27)*b^2) != F5(0)  243
True                                          244
sage: # Short Weierstrass curve over field F5  245
sage: E = EllipticCurve(F5,[a,b]) # y^2 == x^3 + ax +b  246
sage: # point on a curve                      247
sage: P = E(0,2) # 2^2 == 0^3 + 2*0 + 4      248
sage: P.xy() # affine coordinates            249
(0, 2)                                       250
sage: INF = E(0) # point at infinity          251
sage: try: # point at infinity has no affine coordinates  252
.....:     INF.xy()                          253
.....: except ZeroDivisionError:             254
.....:     pass                               255
sage: P = E.plot() # create a plotted version  256

```

The following three examples give a more practical understanding of what an elliptic curve is and how we can compute it. We advise you to read these examples carefully, and ideally also do the computations yourself. We will repeatedly build on these examples in this chapter, and use example 71 throughout the entire book.

*Example 70.* Consider the prime field  $\mathbb{F}_5$  from example 16. To define an elliptic curve over  $\mathbb{F}_5$ , we have to choose two numbers  $a$  and  $b$  from that field. Assuming we choose  $a = 1$  and  $b = 1$ , then  $4a^3 + 27b^2 \equiv 1 \pmod{5}$ . This means that the corresponding elliptic curve  $E_{1,1}(\mathbb{F}_5)$  is given by the set of all pairs  $(x, y)$  from  $\mathbb{F}_5$  that satisfy the equation  $y^2 = x^3 + x + 1$ , along with the special symbol  $\mathcal{O}$ , which represents the “point at infinity”.

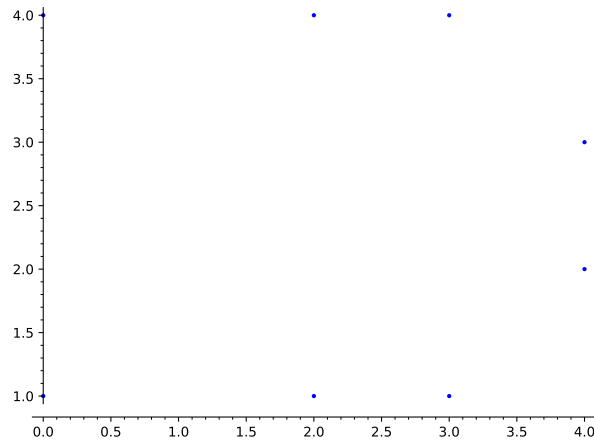
To get a better understanding of this curve, observe that, if we arbitrarily choose to test the pair  $(x, y) = (1, 1)$ , we see that  $1^2 \neq 1^3 + 1 + 1$ , and hence  $(1, 1)$  is not a point on the curve  $E_{1,1}(\mathbb{F}_5)$ . On the other hand, if we choose to test the pair  $(x, y) = (2, 1)$ , we see that  $1^2 = 2^3 + 2 + 1$ , and hence the pair  $(2, 1)$  is a point on the curve  $E_{1,1}(\mathbb{F}_5)$  (Remember that all computations are done in modulo 5 arithmetics.)

Since the set  $\mathbb{F}_5 \times \mathbb{F}_5$  of all pairs  $(x, y)$  from  $\mathbb{F}_5$  only contains  $5 \cdot 5 = 25$  pairs, we can compute the curve by just inserting every possible pair  $(x, y)$  into the Short Weierstrass equation  $y^2 = x^3 + x + 1$ . If the equation holds, the pair is a curve point. If not, that means that the point is not on the curve. Combining the result of this computation with the point at infinity gives the curve as follows:

$$E_{1,1}(\mathbb{F}_5) = \{\mathcal{O}, (0, 1), (2, 1), (3, 1), (4, 2), (4, 3), (0, 4), (2, 4), (3, 4)\}$$

This means that the elliptic curve is a set of 9 elements, 8 of which are pairs of elements from  $\mathbb{F}_5$ , and one is special symbol  $\mathcal{O}$  (the point at infinity). Visualizing  $E_{1,1}(\mathbb{F}_5)$  gives the following plot:





In the development of SNARKs, it is sometimes necessary to do elliptic curve cryptography “in a circuit”, which basically means that the elliptic curve needs to be implemented in a certain SNARK-friendly way. We will look at what this means in chapter 7. To be able to do this efficiently, it is desirable to have curves with special properties. The following example is a pen-and-paper version of such a curve, called Tiny-jubjub. We design this curve especially to resemble a well-known cryptographically secure curve, called Baby-jubjub, the latter of which is extensively used in real-world SNARKs (See Baby-JubJub for the specification).<sup>4</sup> The interested reader is advised to study this example carefully, as we will use it and build on it in various places throughout the book.

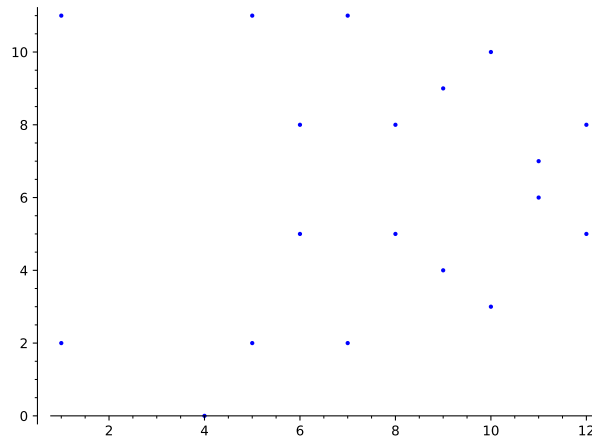
*Example 71* (The Tiny-jubjub curve). Consider the prime field  $\mathbb{F}_{13}$  from exercise 50. If we choose  $a = 8$  and  $b = 8$ , then  $4a^3 + 27b^2 \equiv 6 \pmod{13}$ , and the corresponding elliptic curve is given by all pairs  $(x, y)$  from  $\mathbb{F}_{13}$  such that  $y^2 = x^3 + 8x + 8$  holds. We call this curve the **Tiny-jubjub** curve (in its affine Short Weierstrass representation), or  $TJJ_{13}$  for short.

Since the set  $\mathbb{F}_{13} \times \mathbb{F}_{13}$  of all pairs  $(x, y)$  from  $\mathbb{F}_{13}$  only contains  $13 \cdot 13 = 169$  pairs, we can compute the curve by just inserting every possible pair  $(x, y)$  into the Short Weierstrass equation  $y^2 = x^3 + 8x + 8$ . We get the following result:

$$TJJ_{13} = \{\mathcal{O}, (1, 2), (1, 11), (4, 0), (5, 2), (5, 11), (6, 5), (6, 8), (7, 2), (7, 11), (8, 5), (8, 8), (9, 4), (9, 9), (10, 3), (10, 10), (11, 6), (11, 7), (12, 5), (12, 8)\} \quad (5.2)$$

As we can see, the curve consists of 20 points; 19 pairs of elements from  $\mathbb{F}_{13}$  and the point at infinity. To get a visual impression of the  $TJJ_{13}$  curve, we might plot all of its points (except the point at infinity):

<sup>4</sup>In the literature, the **Baby-jubjub curve** is commonly introduced as a so-called Twisted Edwards curve, which we will cover in 5.3. However, as we will see in 5.3, every Twisted Edwards curve is equivalent to a Short Weierstrass curve and hence we start with an introduction of Tiny-Jubjub in its Short Weierstrass incarnation.



As we will see in what follows, this curve is rather special, as it is possible to represent it in two alternative forms called the **Montgomery** and the **Twisted Edwards form** (See sections 5.2 and 5.3, respectively).

Now that we have seen two pen-and-paper friendly elliptic curves, let us look at a curve that is used in actual cryptography. Cryptographically secure elliptic curves are not **qualitatively** different from the curves we looked at so far, but the prime number modulus of their prime field is much larger. Typical examples use prime numbers that have binary representations in the magnitude of more than double the size of the desired security level. If, for example, a security of 128 bits is desired, a prime modulus of binary size  $\geq 256$  is chosen. The following example provides such a curve.

*Example 72* (Bitcoin's `secp256k1` curve). To give an example of a real-world, cryptographically secure curve, let us look at curve `secp256k1`, which is famous for being used in the public key cryptography of Bitcoin. The prime field  $\mathbb{F}_p$  of `secp256k1` is defined by the following prime number:

$$p = 115792089237316195423570985008687907853269984665640564039457584007908834671663$$

The binary representation of this number needs 256 bits, which implies that the prime field  $\mathbb{F}_p$  contains approximately  $2^{256}$  many elements, which is considered quite large. To get a better impression of how large the base field is: the number  $2^{256}$  is approximately in the same order of magnitude as the estimated number of atoms in the observable universe.

The curve `secp256k1` is defined by the parameters  $a, b \in \mathbb{F}_p$  with  $a = 0$  and  $b = 7$ . Since  $4 \cdot 0^3 + 27 \cdot 7^2 \pmod p = 1323$ , those parameters indeed define an elliptic curve given as follows:

$$\text{secp256k1} = \{(x, y) \in \mathbb{F}_p \times \mathbb{F}_p \mid y^2 = x^3 + 7\}$$

Clearly, the `secp256k1` curve is too large to be useful in pen-and-paper computations, since it can be shown that the number of its elements is a prime number  $r$  that also has a binary representation of 256 bits:

$$r = 115792089237316195423570985008687907852837564279074904382605163141518161494337$$

Cryptographically secure elliptic curves are therefore not useful in pen-and-paper computations, but fortunately, Sage handles large curves efficiently:

```
sage: p = 1157920892373161954235709850086879078532699846656405 257
        64039457584007908834671663
```

```

sage: # Hexadecimal representation 258
sage: p.str(16) 259
ffffffffffffffffffffffffffffffffffffffffffffffffffffffffffc 260
    2f
sage: p.is_prime() 261
True 262
sage: p.nbits() 263
256 264
sage: Fp = GF(p) 265
sage: secp256k1 = EllipticCurve(Fp, [0, 7]) 266
sage: r = secp256k1.order() # number of elements 267
sage: r.str(16) 268
fffffffffffffffffffffffffffffebaaedce6af48a03bbfd25e8cd03641 269
    41
sage: r.is_prime() 270
True 271
sage: r.nbits() 272
256 273

```

*Example 73* (Ethereum's `alt_bn128` curve). To give an example of a real-world, cryptographically secure curve, that we will use in our `circom` implementations, let us look at curve `alt_bn128` as defined in EIP-197. This curve is used in zk-SNARK verification on the Ethereum blockchain. The prime field  $\mathbb{F}_p$  of `alt_bn128` is defined by the following prime number:

$$p = 21888242871839275222246405745257275088696311157297823662689037894645226208583$$

The binary representation of this number needs 254 bits, which implies that the prime field  $\mathbb{F}_p$  contains approximately  $2^{254}$  many elements.

`alt_bn128` is a Short Weierstrass curve, defined by the parameters  $a, b \in \mathbb{F}_p$  with  $a = 0$  and  $b = 3$ . Since  $4 \cdot 0^3 + 27 \cdot 3^2 \bmod p = 243$ , those parameters indeed define an elliptic curve given as follows:

$$\text{alt\_bn128} = \{(x, y) \in \mathbb{F}_p \times \mathbb{F}_p \mid y^2 = x^3 + 3\}$$

The number of points on the elliptic curve `alt_bn128` is a prime number  $r$  that also has a binary representation of 254 bits:

$$r = 21888242871839275222246405745257275088548364400416034343698204186575808495617$$

We write  $\mathbb{F}_{bn128} := \mathbb{F}_r$  for the associated prime field. In order to use this curve in our `circom` examples, we implement this Short Weierstrass elliptic curve in Sage:

```

sage: p = 2188824287183927522224640574525727508869631115729782 274
    3662689037894645226208583
sage: p.is_prime() 275
True 276
sage: p.nbits() 277
254 278
sage: Fbn128base = GF(p) 279
sage: bn128 = EllipticCurve(Fbn128base, [0, 3]) 280
sage: r = bn128.order() # number of elements 281

```

<code>sage: r.is_prime()</code>	282
<code>True</code>	283
<code>sage: r.nbits()</code>	284
<code>254</code>	285

*Exercise 58.* Consider the curve  $E_{1,1}(\mathbb{F}_5)$  from example 70 and compute the set of all curve points  $(x, y) \in E_{1,1}(\mathbb{F}_5)$ .

*Exercise 59.* Consider the curve  $TJJ\_13$  from example 71 and compute the set of all curve points  $(x, y) \in TJJ\_13$ .

*Exercise 60.* Look up the definition of curve BLS12-381, implement it in Sage, and compute the number of all curve points.

### 5.1.1.1 Isomorphic affine Short Weierstrass curves

As explained previously in this chapter, elliptic curves are defined by pairs of parameters  $(a, b) \in \mathbb{F} \times \mathbb{F}$  for some field  $\mathbb{F}$ . An important question in classifying elliptic curves is to decide which pairs of parameters  $(a, b)$  and  $(a', b')$  instantiate equivalent curves in the sense that there is a 1:1 correspondence between the set of curve points.

To be more precise, let  $\mathbb{F}$  be a field, and let  $(a, b)$  and  $(a', b')$  be two pairs of parameters such that there is an invertible field element  $c \in \mathbb{F}^*$  such that  $a' = a \cdot c^4$  and  $b' = b \cdot c^6$  hold. Then the elliptic curves  $E_{a,b}(\mathbb{F})$  and  $E_{a',b'}(\mathbb{F})$  are **isomorphic**, and there is a map that maps the curve points of  $E_{a,b}(\mathbb{F})$  onto the curve points of  $E_{a',b'}(\mathbb{F})$ :

$$I : E_{a,b}(\mathbb{F}) \rightarrow E_{a',b'}(\mathbb{F}) : \begin{cases} (x, y) \\ \mathcal{O} \end{cases} \mapsto \begin{cases} (c^2 \cdot x, c^3 \cdot y) \\ \mathcal{O} \end{cases} \quad (5.3)$$

This map is a 1:1 correspondence, and its inverse map is given by mapping the point at infinity onto the point at infinity, and mapping each curve point  $(x, y)$  onto the curve point  $(c^{-2}x, c^{-4}y)$ .

*Example 74.* Consider the Short Weierstrass elliptic curve  $E_{1,1}(\mathbb{F}_5)$  from example 70 and the following elliptic curve:

$$E_{1,4}(\mathbb{F}_5) := \{(x, y) \in \mathbb{F}_5 \times \mathbb{F}_5 \mid y^2 = x^3 + x + 4\} \quad (5.4)$$

If we insert all pairs of elements  $(x, y) \in \mathbb{F}_5 \times \mathbb{F}_5$  into the Short Weierstrass equation  $y^2 = x^3 + x + 4$  of  $E_{1,4}(\mathbb{F}_5)$ , we get the following set of points:

$$E_{1,4}(\mathbb{F}_5) = \{\mathcal{O}, (0, 2), (0, 3), (1, 1), (1, 4), (2, 2), (2, 3), (3, 2), (3, 3)\} \quad (5.5)$$

As we can see, both curves are of the same order. Since 2 is an invertible element from  $\mathbb{F}_5$  with  $1 = 2^4 \cdot 1$  and  $4 = 2^6 \cdot 1$ ,  $E_{1,4}(\mathbb{F}_5)$  and  $E_{1,1}(\mathbb{F}_5)$  are isomorphic: the map  $I : E_{1,1}(\mathbb{F}_5) \rightarrow E_{1,4}(\mathbb{F}_5) : (x, y) \mapsto (4x, 3y)$  from 5.3 defines a 1:1 correspondence. For example, the point  $(4, 3) \in E_{1,1}(\mathbb{F}_5)$  is mapped onto the point  $I(4, 3) = (4 \cdot 4, 3 \cdot 3) = (1, 4) \in E_{1,4}(\mathbb{F}_5)$ .

*Exercise 61.* Let  $\mathbb{F}$  be a finite field, let  $(a, b)$  and  $(a', b')$  be two pairs of parameters, and let  $c \in \mathbb{F}^*$  be an invertible field element such that  $a' = a \cdot c^4$  and  $b' = b \cdot c^6$  hold. Show that the function  $I$  from (5.3) maps curve points onto curve points.

*Exercise 62.* Consider the Tiny-jubjub curve from example 71 and the elliptic curve  $E_{7,5}(\mathbb{F}_{13})$  defined as follows:

$$E_{7,5}(\mathbb{F}_{13}) = \{(x, y) \in \mathbb{F}_{13} \times \mathbb{F}_{13} \mid y^2 = x^3 + 7x + 5\} \quad (5.6)$$

Show that  $TJJ\_13$  and  $E_{7,5}(\mathbb{F}_{13})$  are isomorphic. Then compute the set of all points from  $E_{7,5}(\mathbb{F}_{13})$ , construct  $I$  and map all points of  $TJJ\_13$  onto  $E_{7,5}(\mathbb{F}_{13})$ .

### 5.1.1.2 Affine compressed representation

As we have seen in example 72, cryptographically secure elliptic curves are defined over large prime fields, where elements of those fields typically need more than 255 bits of storage on a computer. Since elliptic curve points consist of pairs of those field elements, they need double that amount of storage.

However, we can reduce the amount of space needed to represent a curve point by using a technique called **point compression**. To understand this, note that, for each given  $x \in \mathbb{F}$ , there are only 2 possible  $y \in \mathbb{F}$  such that the pair  $(x, y)$  is a point on an affine Short Weierstrass curve, since  $x$  and  $y$  have to satisfy the equation  $y^2 = x^3 + a \cdot x + b$ . From this, it follows that  $y$  can be computed from  $x$ , since it is an element from the set of square roots  $\sqrt{x^3 + a \cdot x + b}$  (see 4.44), which contains exactly two elements for  $x^3 + a \cdot x + b \neq 0$  and exactly one element for  $x^3 + a \cdot x + b = 0$ .

This implies that we can represent a curve point in **compressed form** by simply storing the  $x$  coordinate together with a single bit called the **sign bit**, the latter of which deterministically decides which of the two roots to choose. One convention could be to always choose the root closer to 0 when the sign bit is 0, and the root closer to the order of  $\mathbb{F}$  when the sign bit is 1. In case the  $y$  coordinate is zero, both sign bits give the same result.

*Example 75 (Tiny-jubjub).* To understand the concept of compressed curve points a bit better, consider the *TJJ\_13* curve from example 71 again. Since this curve is defined over the prime field  $\mathbb{F}_{13}$ , and numbers between 0 and 13 need approximately 4 bits to be represented, each *TJJ\_13* point on this curve needs 8 bits of storage in uncompressed form. The following set represents the uncompressed form of the points on this curve:

$$\begin{aligned} TJJ_{13} = \{ \mathcal{O}, (1, 2), (1, 11), (4, 0), (5, 2), (5, 11), (6, 5), (6, 8), (7, 2), (7, 11), \\ (8, 5), (8, 8), (9, 4), (9, 9), (10, 3), (10, 10), (11, 6), (11, 7), (12, 5), (12, 8) \} \end{aligned} \quad (5.7)$$

Using the technique of point compression, we can reduce the bits needed to represent the points on this curve to 5 per point. To achieve this, we can replace the  $y$  coordinate in each  $(x, y)$  pair by a sign bit indicating whether or not  $y$  is closer to 0 or to 13. As a result,  $y$  values in the range  $[0, \dots, 6]$  will have the sign bit 0, while  $y$ -values in the range  $[7, \dots, 12]$  will have the sign bit 1. Applying this to the points in *TJJ\_13* gives the compressed representation as follows:

$$\begin{aligned} TJJ_{13} = \{ \mathcal{O}, (1, 0), (1, 1), (4, 0), (5, 0), (5, 1), (6, 0), (6, 1), (7, 0), (7, 1), \\ (8, 0), (8, 1), (9, 0), (9, 1), (10, 0), (10, 1), (11, 0), (11, 1), (12, 0), (12, 1) \} \end{aligned} \quad (5.8)$$

Note that the numbers  $7, \dots, 12$  are the negatives (additive inverses) of the numbers  $1, \dots, 6$  in modular 13 arithmetics, and that  $-0 = 0$ .

To recover the uncompressed counterpart of, say, the compressed point  $(5, 1)$ , we insert the  $x$  coordinate 5 into the Short Weierstrass equation and get  $y^2 = 5^3 + 8 \cdot 5 + 8 = 4$ . As expected, 4 is a quadratic residue in  $\mathbb{F}_{13}$  with roots  $\sqrt{4} = \{2, 11\}$ . Since the sign bit of the point is 1, we have to choose the root closer to the modulus 13, which is 11. The uncompressed point is therefore  $(5, 11)$ .

## 5.1.2 Affine Group Law

One of the key properties of an elliptic curve is that it is possible to define a group law on the set of its points such that the point at infinity serves as the neutral element, and inverses are reflections on the  $x$ -axis. The origin of this law can be understood in a geometric picture and

is known as the **chord-and-tangent rule**. In the affine representation of a Short Weierstrass curve, the rule can be described in the following way, using the symbol  $\oplus$  for the group law:

*Definition 5.1.2.1 (Chord-and-tangent rule: geometric definition).*

- (Point at infinity) We define the point at infinity  $\mathcal{O}$  as the neutral element of addition, that is, we define  $P \oplus \mathcal{O} = P$  for all points  $P \in E(\mathbb{F})$ .
- (Chord Rule) Let  $P$  and  $Q$  be two distinct points on an elliptic curve, neither of them the point at infinity:  $P, Q \in E(\mathbb{F}) \setminus \{\mathcal{O}\}$  and  $P \neq Q$   
The sum of  $P$  and  $Q$  is defined as follows:  
Consider the line  $l$  which intersects the curve in  $P$  and  $Q$ . If  $l$  intersects the elliptic curve at a third point  $R'$ , define the sum of  $P$  and  $Q$  as the reflection of  $R'$  at the  $x$ -axis:  $R = P \oplus Q$ . If the line  $l$  does not intersect the curve at a third point, define the sum to be the point at infinity  $\mathcal{O}$ . Calling such a line a **chord**, it can be shown that no chord will intersect the curve in more than three points. This implies that addition is not ambiguous.
- (Tangent Rule) Let  $P$  be a point on an elliptic curve, which is not the point at infinity:  $P \in E(\mathbb{F}) \setminus \{\mathcal{O}\}$   
The sum of  $P$  with itself (the doubling of  $P$ ) is defined as follows:  
Consider the line which is tangential to the elliptic curve at  $P$ , in the sense that it “just touches” the curve at that point. If this line intersects the elliptic curve at a second point  $R'$ , the sum  $P \oplus P$  is the reflection of  $R'$  at the  $x$ -axis. If it does not intersect the curve at a third point, define the sum to be the point at infinity  $\mathcal{O}$ . Calling such a line a **tangent**, it can be shown that no such tangent will intersect the curve in more than two points. This implies that doubling is not ambiguous.

It can be shown that the points of an elliptic curve form a commutative group with respect to the previously stated chord-and-tangent rule such that  $\mathcal{O}$  acts the neutral element, and the inverse of any element  $P \in E(\mathbb{F})$  is the reflection of  $P$  on the  $x$ -axis.

The chord-and-tangent rule defines the group law of an elliptic curve geometrically, and we just stated it informally as an intuition above. In order to apply those rules on a computer, we have to translate it into algebraic equations. To do so, first observe that, for any two given curve points  $(x_1, y_1), (x_2, y_2) \in E(\mathbb{F})$ , the identity  $x_1 = x_2$  implies  $y_2 = \pm y_1$  as explained in section 5.1.1.2. This shows that the following rules are a complete description of the elliptic curve group  $(E(\mathbb{F}), \oplus)$ :

*Definition 5.1.2.2 (Chord-and-tangent rule: algebraic definition).*

- (The neutral element) The point at infinity  $\mathcal{O}$  is the neutral element.
- (The inverse element) The inverse of  $\mathcal{O}$  is  $\mathcal{O}$ . For any other curve point  $(x, y) \in E(\mathbb{F}) \setminus \{\mathcal{O}\}$ , the inverse is given by  $(x, -y)$ .
- (The group law) For any two curve points  $P, Q \in E(\mathbb{F})$ , the group law is defined by one of the following cases:
  1. (Neutral element) If  $Q = \mathcal{O}$ , then the group law is defined as  $P \oplus Q = P$ .
  2. (Inverse elements) If  $P = (x, y)$  and  $Q = (x, -y)$ , the group law is defined as  $P \oplus Q = \mathcal{O}$ .
  3. (Tangent Rule) If  $P = (x, y)$  with  $y \neq 0$ , the group law  $P \oplus P = (x', y')$  is defined as follows:

$$x' = \left( \frac{3x^2 + a}{2y} \right)^2 - 2x \quad , \quad y' = \left( \frac{3x^2 + a}{2y} \right) (x - x') - y$$

4. (Chord Rule) If  $P = (x_1, y_1)$  and  $Q = (x_2, y_2)$  such that  $x_1 \neq x_2$ , the group law  $R = P \oplus Q$  with  $R = (x_3, y_3)$  is defined as follows:

$$x_3 = \left( \frac{y_2 - y_1}{x_2 - x_1} \right)^2 - x_1 - x_2 \quad , \quad y_3 = \left( \frac{y_2 - y_1}{x_2 - x_1} \right) (x_1 - x_3) - y_1$$

*Notation and Symbols 13.* Let  $\mathbb{F}$  be a field and  $E(\mathbb{F})$  an elliptic curve over  $\mathbb{F}$ . We write  $\oplus$  for the group law on  $E(\mathbb{F})$ ,  $(E(\mathbb{F}), \oplus)$  for the commutative group of elliptic curve points, and use the additive notation (notation 4) on this group. If  $P$  is a point on a Short Weierstrass curve with  $P = (x, 0)$  then  $P$  is called **self-inverse**.

As we can see, it is very efficient to compute inverses on elliptic curves. However, computing the addition of elliptic curve points in the affine representation needs to consider many cases, and involves extensive finite field divisions. As we will see in 5.1.3.1, the addition law is simplified in projective coordinates.

Let us look at some practical examples of how the group law on an elliptic curve is computed.

*Example 76.* Consider the elliptic curve  $E_{1,1}(\mathbb{F}_5)$  from example 70 again. As we have seen, the curve consists of the following 9 elements:

$$E_{1,1}(\mathbb{F}_5) = \{\mathcal{O}, (0, 1), (2, 1), (3, 1), (4, 2), (4, 3), (0, 4), (2, 4), (3, 4)\} \quad (5.9)$$

We know that this set defines a group, so we can perform addition on any two elements from  $E_{1,1}(\mathbb{F}_5)$  to get a third element of this group.

To give an example, consider the elements  $(0, 1)$  and  $(4, 2)$ . Neither of these elements is the neutral element  $\mathcal{O}$ , and since the  $x$  coordinate of  $(0, 1)$  is different from the  $x$  coordinate of  $(4, 2)$ , we know that we have to use the chord rule from definition 5.1.2.2 to compute the sum  $(0, 1) \oplus (4, 2)$ :

$$\begin{aligned} x_3 &= \left( \frac{y_2 - y_1}{x_2 - x_1} \right)^2 - x_1 - x_2 && \# \text{ insert points} \\ &= \left( \frac{2 - 1}{4 - 0} \right)^2 - 0 - 4 && \# \text{ simplify in } \mathbb{F}_5 \\ &= \left( \frac{1}{4} \right)^2 + 1 = 4^2 + 1 = 1 + 1 = 2 \end{aligned}$$

$$\begin{aligned} y_3 &= \left( \frac{y_2 - y_1}{x_2 - x_1} \right) (x_1 - x_3) - y_1 && \# \text{ insert points} \\ &= \left( \frac{2 - 1}{4 - 1} \right) (0 - 2) - 1 && \# \text{ simplify in } \mathbb{F}_5 \\ &= \left( \frac{1}{4} \right) \cdot 3 + 4 = 4 \cdot 3 + 4 = 2 + 4 = 1 \end{aligned}$$

So, in the elliptic curve  $E_{1,1}(\mathbb{F}_5)$ , we get  $(0, 1) \oplus (4, 2) = (2, 1)$ , and, indeed, the pair  $(2, 1)$  is an element of  $E_{1,1}(\mathbb{F}_5)$  as expected. On the other hand,  $(0, 1) \oplus (0, 4) = \mathcal{O}$ , since both points have equal  $x$  coordinates and inverse  $y$  coordinates, rendering them inverses of each other. Adding

the point  $(4, 2)$  to itself, we have to use the tangent rule from definition 5.1.2.2:

$$\begin{aligned}
 x' &= \left( \frac{3x^2 + a}{2y} \right)^2 - 2x && \# \text{ insert points} \\
 &= \left( \frac{3 \cdot 4^2 + 1}{2 \cdot 2} \right)^2 - 2 \cdot 4 && \# \text{ simplify in } \mathbb{F}_5 \\
 &= \left( \frac{3 \cdot 1 + 1}{4} \right)^2 + 3 \cdot 4 = \left( \frac{4}{4} \right)^2 + 2 = 1 + 2 = 3 \\
 \\
 y' &= \left( \frac{3x^2 + a}{2y} \right)^2 (x - x') - y && \# \text{ insert points} \\
 &= \left( \frac{3 \cdot 4^2 + 1}{2 \cdot 2} \right)^2 (4 - 3) - 2 && \# \text{ simplify in } \mathbb{F}_5 \\
 &= 1 \cdot 1 + 3 = 4
 \end{aligned}$$

So, in the elliptic curve  $E_{1,1}(\mathbb{F}_5)$ , we get the doubling of  $(4, 2)$ , that is,  $(4, 2) \oplus (4, 2) = (3, 4)$ , and, indeed, the pair  $(3, 4)$  is an element of  $E_{1,1}(\mathbb{F}_5)$  as expected. The group  $E_{1,1}(\mathbb{F}_5)$  has no self-inverse points other than the neutral element  $\mathcal{O}$ , since no point has 0 as its  $y$  coordinate. We can use Sage to double-check the computations.

```

sage: F5 = GF(5) 286
sage: E1 = EllipticCurve(F5, [1, 1]) 287
sage: INF = E1(0) # point at infinity 288
sage: P1 = E1(0, 1) 289
sage: P2 = E1(4, 2) 290
sage: P3 = E1(0, 4) 291
sage: R1 = E1(2, 1) 292
sage: R2 = E1(3, 4) 293
sage: R1 == P1+P2 294
True 295
sage: INF == P1+P3 296
True 297
sage: R2 == P2+P2 298
True 299
sage: R2 == 2*P2 300
True 301
sage: P3 == P3 + INF 302
True 303

```

*Example 77* (Tiny-jubjub). Consider the *TJJ\_13* curve from example 71 again, and recall that its group of points is given as follows:

$$\begin{aligned}
 TJJ_{13} = \{ &\mathcal{O}, (1, 2), (1, 11), (4, 0), (5, 2), (5, 11), (6, 5), (6, 8), (7, 2), (7, 11), \\
 &(8, 5), (8, 8), (9, 4), (9, 9), (10, 3), (10, 10), (11, 6), (11, 7), (12, 5), (12, 8) \} \quad (5.10)
 \end{aligned}$$

In contrast to the group from the previous example, this group contains a self-inverse point, which is different from the neutral element, defined by  $(4, 0)$ . To see what this means, observe



that we cannot add  $(4, 0)$  to itself using the tangent rule from definition 5.1.2.2, as the  $y$ -coordinate is zero. Instead, we have to use the rule for additive inverses, since  $0 = -0$ . We get  $(4, 0) \oplus (4, 0) = \mathcal{O}$  in  $TJJ\_13$ , which shows that the point  $(4, 0)$  is the inverse of itself, because adding it to itself results in the neutral element. We check our calculation with Sage:

```
sage: F13 = GF(13) 304
sage: TJJ = EllipticCurve(F13, [8, 8]) 305
sage: P = TJJ(4, 0) 306
sage: INF = TJJ(0) # Point at infinity 307
sage: INF == P+P 308
True 309
sage: INF == 2*P 310
True 311
```

*Example 78.* Consider the `secp256k1` curve from example 72 again. The following code uses Sage to generate two random affine curve points and then add these points together:

```
sage: P = secp256k1.random_point() 312
sage: Q = secp256k1.random_point() 313
sage: R = P + Q 314
sage: P.xy() 315
(1909175870582661109104528087634304557759788667003751750876419 316
 8993582346873356, 75935873956851521219940876056274496229009
 193233699209148717640083256326003304)
sage: Q.xy() 317
(8859773969297995177874899813007767796512080591401148008481048 318
 2553463501946399, 11324020393694336358501082392632452198243
 9311374900891784040526751786525798386)
sage: R.xy() 319
(6726846237030193952209771563705688779343568493133559992048718 320
 3031178737971201, 89509938285893299434541989717601960706424
 330197104800421384354002340953835863)
```

*Exercise 63.* Consider the commutative group  $(TJJ\_13, \oplus)$  of the Tiny-jubjub curve from example 71.

1. Compute the inverse of  $(10, 10)$ ,  $\mathcal{O}$ ,  $(4, 0)$  and  $(1, 2)$ .
2. Solve the equation  $x \oplus (9, 4) = (5, 2)$  for some  $x \in TJJ\_13$ .

### 5.1.2.1 Scalar multiplication

As we have seen in the previous section, elliptic curves  $E(\mathbb{F})$  have the structure of a commutative group associated to them. It can be shown that this group is finite and cyclic whenever the underlying field  $\mathbb{F}$  is finite. As we know from (4.2), this implies that there is a notation of scalar multiplication associated to any elliptic curve over finite fields.

To understand this scalar multiplication, recall from definition 4.1.2.1 that every finite cyclic group of order  $n$  has a generator  $g$  and an associated exponential map  $g^{(\cdot)} : \mathbb{Z}_n \rightarrow \mathbb{G}$ , where  $g^x$  is the  $x$ -fold product of  $g$  with itself.

Elliptic curve scalar multiplication is the exponential map written in additive notation. To be more precise, let  $\mathbb{F}$  be a finite field,  $E(\mathbb{F})$  an elliptic curve of order  $n$ , and  $P$  a generator of

$E(\mathbb{F})$ . Then the **elliptic curve scalar multiplication** with base  $P$  is defined as follows (where  $[0]P = \mathcal{O}$  and  $[m]P = P + P + \dots + P$  is the  $m$ -fold sum of  $P$  with itself):

$$[\cdot]P : \mathbb{Z}_n \rightarrow E(\mathbb{F}) ; m \mapsto [m]P$$

Therefore, elliptic curve scalar multiplication is an instantiation of the general exponential map using additive instead of multiplicative notation.

### 5.1.2.2 Logarithmic Ordering

As explained in (4.5), the inverse of the exponential map exists, and it is usually called the **elliptic curve discrete logarithm map**. However, we don't know of any efficient way to actually compute this map, which is one reason why some elliptic curves are believed to be DL-secure (see definition 4.1.6.1).

One useful property of the exponential map in regard to the examples in this book is that it can be used to greatly simplify pen-and-paper computations. As we have seen in example 76, computing the elliptic curve addition law takes quite a bit of effort when done without a computer. However, when  $g$  is a generator of a small pen-and-paper elliptic curve group of order  $n$ , we can use the exponential map to write the elements of the group in the following way, which we call its **logarithmic order** with respect to the generator  $g$ :

$$\mathbb{G} = \{[1]g \rightarrow [2]g \rightarrow [3]g \rightarrow \dots \rightarrow [n-1]g \rightarrow \mathcal{O}\} \quad (5.11)$$

For small pen-and-paper groups, the logarithmic order greatly simplifies complicated elliptic curve addition into the much simpler case of modular  $n$  arithmetic. In order to add two curve points  $P$  and  $Q$ , we only have to look up their discrete log relations with the generator  $P = [l]g$  and  $Q = [m]g$ , and compute the group law as  $P \oplus Q = [l+m]g$ , where  $l+m$  is addition in modular  $n$  arithmetics.

The reader should keep in mind though, that many elliptic curves are believed to be DL-secure (definition 4.1.6.1), which implies that, for those curves, the logarithmic order can not be computed efficiently.

In the following example, we look at some implications of the fact that elliptic curves are finite cyclic groups and apply the logarithmic order.

*Example 79.* Consider the elliptic curve group  $E_{1,1}(\mathbb{F}_5)$  from example 70. Since it is a finite cyclic group of order 9, and the prime factorization of 9 is  $3 \cdot 3$ , we can use the fundamental theorem of finite cyclic groups (definition 4.1.4.1) to reason about all its subgroups. In fact, since the only factors of 9 are 1, 3 and 9, we know that  $E_{1,1}(\mathbb{F}_5)$  has the following subgroups:

- $E_{1,1}(\mathbb{F}_5)[9]$  is a subgroup of order 9. By definition, any group is a subgroup of itself.
- $E_{1,1}(\mathbb{F}_5)[3] = \{(2, 1), (2, 4), \mathcal{O}\}$  is a subgroup of order 3. This is the subgroup associated to the prime factor 3.
- $E_{1,1}(\mathbb{F}_5)[1] = \{\mathcal{O}\}$  is a subgroup of order 1. This is the trivial subgroup.

Moreover, since  $E_{1,1}(\mathbb{F}_5)$  and all its subgroups are cyclic, we know from definition 4.1.2.1 that they must have generators. For example, the curve point  $(2, 1)$  is a generator of the order 3 subgroup  $E_{1,1}(\mathbb{F}_5)[3]$ , since every element of  $E_{1,1}(\mathbb{F}_5)[3]$  can be generated by repeatedly adding  $(2, 1)$  to itself:

$$\begin{aligned} [1](2, 1) &= (2, 1) \\ [2](2, 1) &= (2, 4) \\ [3](2, 1) &= \mathcal{O} \end{aligned}$$

Since  $(2, 1)$  is a generator, we know from (4.1) that it gives rise to an exponential map from the finite field  $\mathbb{F}_3$  onto  $\mathbb{G}_2$  defined by scalar multiplication:

$$[\cdot](2, 1) : \mathbb{F}_3 \rightarrow E_{1,1}(\mathbb{F}_5)[3] : x \mapsto [x](2, 1) \quad (5.12)$$

To give an example of a generator that generates the entire group  $E_{1,1}(\mathbb{F}_5)$ , consider the point  $(0, 1)$ . Applying the tangent rule repeatedly, we compute as follows:

$$\begin{array}{ll} [0](0, 1) = \mathcal{O} & [1](0, 1) = (0, 1) \\ [2](0, 1) = (4, 2) & [3](0, 1) = (2, 1) \\ [4](0, 1) = (3, 4) & [5](0, 1) = (3, 1) \\ [6](0, 1) = (2, 4) & [7](0, 1) = (4, 3) \\ [8](0, 1) = (0, 4) & [9](0, 1) = \mathcal{O} \end{array} \quad (5.13)$$

Again, since  $(0, 1)$  is a generator, we know from (4.1) that it gives rise to an exponential map. However, since the group order is not a prime number, the exponential map does not map from a field, but from the ring  $\mathbb{Z}_9$  of modular 9 arithmetics:

$$[\cdot](0, 1) : \mathbb{Z}_9 \rightarrow E_{1,1}(\mathbb{F}_5) : x \mapsto [x](0, 1) \quad (5.14)$$

Using the generator  $(0, 1)$  and its associated exponential map, we can write  $E(\mathbb{F}_1)$  in logarithmic order with respect to  $(0, 1)$  as explained in definition 5.1.2.2. We get the following:

$$E_{1,1}(\mathbb{F}_5) = \{(0, 1) \rightarrow (4, 2) \rightarrow (2, 1) \rightarrow (3, 4) \rightarrow (3, 1) \rightarrow (2, 4) \rightarrow (4, 3) \rightarrow (0, 4) \rightarrow \mathcal{O}\} \quad (5.15)$$

This indicates that the first element is a generator, and the  $n$ -th element is the scalar product of  $n$  and the generator. To see how logarithmic orders like this simplify the computations in small elliptic curve groups, consider example 76 again. In that example, we use the chord-and-tangent rule to compute  $(0, 1) \oplus (4, 2)$ . Now, in the logarithmic order of  $E_{1,1}(\mathbb{F}_5)$ , we can compute that sum much easier, since we can directly see that  $(0, 1) = [1](0, 1)$  and  $(4, 2) = [2](0, 1)$ . We can then deduce  $(0, 1) \oplus (4, 2) = (2, 1)$  as follows:

$$(0, 1) \oplus (4, 2) = [1](0, 1) \oplus [2](0, 1) = [3](0, 1) = (2, 1) \quad (5.16)$$

To give another example, we can immediately see that  $(3, 4) \oplus (4, 3) = (4, 2)$ , without doing any expensive elliptic curve addition, since we know that  $(3, 4) = [4](0, 1)$  and  $(4, 3) = [7](0, 1)$  from the logarithmic ordering of  $E_{1,1}(\mathbb{F}_5)$ . Since  $4 + 7 = 2$  in  $\mathbb{Z}_9$ , the result must be  $[2](0, 1) = (4, 2)$ .

Finally, we can use  $E_{1,1}(\mathbb{F}_5)$  as an example to understand the concept of cofactor clearing from definition 4.7. Since the order of  $E_{1,1}(\mathbb{F}_5)$  is 9, we only have a single factor, which happens to be the cofactor as well. Cofactor clearing then implies that we can map any element from  $E_{1,1}(\mathbb{F}_5)$  onto its prime factor group  $E_{1,1}(\mathbb{F}_5)[3]$  by scalar multiplication with 3. For example, taking the element  $(3, 4)$ , which is not in  $E_{1,1}(\mathbb{F}_5)[3]$ , and multiplying it with 3, we get  $[3](3, 4) = (2, 1)$ , which is an element of  $E_{1,1}(\mathbb{F}_5)[3]$  as expected.

*Example 80.* Consider the Tiny-jubjub curve  $TJJ\_13$  from example 71 again. In this example, we look at the subgroups of the Tiny-jubjub curve, define generators, and compute the logarithmic order for pen-and-paper computations. Then we take another look at the principle of cofactor clearing.

Since the order of  $TJJ\_13$  is 20, and the prime factorization of 20 is  $2^2 \cdot 5$ , we know that the  $TJJ\_13$  contains a “large” prime-order subgroup of size 5 and a small prime order subgroup of size 2.

To compute those groups, we can apply the technique of cofactor clearing (4.7) in a try-and-repeat loop. We start the loop by arbitrarily choosing an element  $P \in TJJ\_13$ , then multiplying that element with the cofactor of the group that we want to compute. If the result is  $\mathcal{O}$ , we try a different element and repeat the process until the result is different from the point at infinity  $\mathcal{O}$ .

To compute a generator for the small prime-order subgroup  $(TJJ\_13)[2]$ , first observe that the cofactor is 10, since  $20 = 2 \cdot 10$ . We then arbitrarily choose the curve point  $(5, 11) \in TJJ\_13$  and compute  $[10](5, 11) = \mathcal{O}$ . Since the result is the point at infinity, we have to try another curve point, say  $(9, 4)$ . We get  $[10](9, 4) = (4, 0)$  and we can deduce that  $(4, 0)$  is a generator of  $(TJJ\_13)[2]$ . Logarithmic order then gives the following order:

$$(TJJ\_13)[2] = \{(4, 0) \rightarrow \mathcal{O}\} \quad (5.17)$$

This is expected, since we know from example 77 that  $(4, 0)$  is self-inverse, with  $(4, 0) \oplus (4, 0) = \mathcal{O}$ . We double-check the computations using Sage:

```

sage: F13 = GF(13)                                     321
sage: TJJ = EllipticCurve(F13, [8, 8])                 322
sage: P = TJJ(5, 11)                                   323
sage: INF = TJJ(0)                                     324
sage: 10*P == INF                                     325
True                                                  326
sage: Q = TJJ(9, 4)                                    327
sage: R = TJJ(4, 0)                                    328
sage: 10*Q == R                                       329
True                                                  330

```

We can apply the same reasoning to the “large” prime-order subgroup  $(TJJ\_13)[5]$ , which contains 5 elements. To compute a generator for this group, first observe that the associated cofactor is 4, since  $20 = 5 \cdot 4$ . We choose the curve point  $(9, 4) \in TJJ\_13$  again, and compute  $[4](9, 4) = (7, 11)$ . Since the result is not the point at infinity, we know that  $(7, 11)$  is a generator of  $(TJJ\_13)[5]$ . Using the generator  $(7, 11)$ , we compute the exponential map  $[\cdot](7, 11) : \mathbb{F}_5 \rightarrow TJJ\_13[5]$  and get the following:

$$\begin{aligned}
[0](7, 11) &= \mathcal{O} \\
[1](7, 11) &= (7, 11) \\
[2](7, 11) &= (8, 5) \\
[3](7, 11) &= (8, 8) \\
[4](7, 11) &= (7, 2)
\end{aligned}$$

We can use this computation to write the large-order prime group  $(TJJ\_13)[5]$  of the Tinyjubjub curve in logarithmic order, which we will use quite frequently in what follows. We get the following:

$$(TJJ\_13)[5] = \{(7, 11) \rightarrow (8, 5) \rightarrow (8, 8) \rightarrow (7, 2) \rightarrow \mathcal{O}\} \quad (5.18)$$

From this, we can immediately see, for example, that  $(8, 8) \oplus (7, 2) = (8, 5)$ , since  $3 + 4 = 2$  in  $\mathbb{F}_5$ .

Based on the previous two examples, you might get the impression that elliptic curve computation can be largely replaced by modular arithmetics. This however, is not true in general, but only an artifact of small groups, where it is possible to write the entire group in a logarithmic order.

*Exercise 64.* Consider example 79 and compute the set  $\{[1](0, 1), [2](0, 1), \dots, [8](0, 1), [9](0, 1)\}$  using the tangent rule only.

*Exercise 65.* Consider example 80 and compute the scalar multiplications  $[10](5, 11)$  as well as  $[10](9, 4)$  and  $[4](9, 4)$  with pen and paper using the algorithm from exercise 38.

### 5.1.3 Projective Short Weierstrass form

As we have seen in the previous section, describing elliptic curves as pairs of points that satisfy a certain equation is relatively straight-forward. However, in order to define a group structure on the set of points, we had to add a special point at infinity to act as the neutral element.

Recalling the definition of projective planes 4.4, we know that points at infinity are handled as ordinary points in projective geometry. Therefore, it makes sense to look at the definition of a Short Weierstrass curve in projective geometry.

To see what a Short Weierstrass curve in projective coordinates is, let  $\mathbb{F}$  be a finite field of order  $q$  and characteristic  $> 3$ , let  $a, b \in \mathbb{F}$  be two field elements such that  $4a^3 + 27b^2 \pmod{q} \neq 0$  and let  $\mathbb{F}\mathbb{P}^2$  be the projective plane over  $\mathbb{F}$  as introduced in section 4.4. Then a **projective Short Weierstrass elliptic curve** over  $\mathbb{F}$  is the set of all points  $[X : Y : Z] \in \mathbb{F}\mathbb{P}^2$  from the projective plane that satisfy the cubic equation  $Y^2 \cdot Z = X^3 + a \cdot X \cdot Z^2 + b \cdot Z^3$ :

$$E(\mathbb{F}\mathbb{P}^2) = \{[X : Y : Z] \in \mathbb{F}\mathbb{P}^2 \mid Y^2 \cdot Z = X^3 + a \cdot X \cdot Z^2 + b \cdot Z^3\} \quad (5.19)$$

To understand how the point at infinity is unified in this definition, recall from section 4.4 that, in projective geometry, points at infinity are given by projective coordinates  $[X : Y : 0]$ . Inserting representatives  $(x_1, y_1, 0) \in [X : Y : 0]$  from those coordinates into the defining cubic equation 5.19 results in the following identity:

$$\begin{aligned} y_1^2 \cdot 0 &= x_1^3 + a \cdot x_1 \cdot 0^2 + b \cdot 0^3 && \Leftrightarrow \\ 0 &= x_1^3 \end{aligned}$$

This implies  $X = 0$ , and shows that the only projective point at infinity that is also a point on a projective Short Weierstrass curve is the class  $[0, 1, 0] = \{(0, y, 0) \mid y \in \mathbb{F}\}$ . The point  $[0 : 1 : 0]$  is the projective representation of the point at infinity  $\mathcal{O}$  in the affine representation. The projective representation of a Short Weierstrass curve, therefore, has the advantage that it does not need a special symbol to represent the point at infinity from the affine definition.

*Example 81.* To get an intuition of how an elliptic curve in projective geometry looks, consider curve  $E_{1,1}(\mathbb{F}_5)$  from example 70. We know that, in its affine representation, the set of points on the affine Short Weierstrass curve is given as follows:

$$E_{1,1}(\mathbb{F}_5) = \{\mathcal{O}, (0, 1), (2, 1), (3, 1), (4, 2), (4, 3), (0, 4), (2, 4), (3, 4)\} \quad (5.20)$$

This is defined as the set of all pairs  $(x, y) \in \mathbb{F}_5 \times \mathbb{F}_5$  such that the affine Short Weierstrass equation  $y^2 = x^3 + ax + b$  with  $a = 1$  and  $b = 1$  is satisfied.

To find the set of elements of  $E_{1,1}(\mathbb{F}_5)$  in the projective representation of a Short Weierstrass curve with the same parameters  $a = 1$  and  $b = 1$ , we have to compute the set of projective points  $[X : Y : Z]$  from the projective plane  $\mathbb{F}_5\mathbb{P}^2$  that satisfies the following homogenous cubic equation for any representative  $(x_1, y_1, z_1) \in [X : Y : Z]$ :

$$y_1^2 z_1 = x_1^3 + 1 \cdot x_1 z_1^2 + 1 \cdot z_1^3 \quad (5.21)$$

We know from section 4.4 that the projective plane  $\mathbb{F}_5\mathbb{P}^2$  contains  $5^2 + 5 + 1 = 31$  elements, so we can insert all elements into equation (5.21) and see if both sides match.

For example, consider the projective point  $[0 : 4 : 1]$ . We know from (4.56) that this point in the projective plane represents the following line in  $\mathbb{F}_5^3 \setminus \{(0, 0, 0)\}$ :

$$[0 : 4 : 1] = \{(0, 4, 1), (0, 3, 2), (0, 2, 3), (0, 1, 4)\} \quad (5.22)$$

To check whether or not  $[0 : 4 : 1]$  satisfies (5.21), we can insert any representative, in other words, any element from (5.22). Each element satisfies the equation if and only if all other elements satisfy the equation. As an arbitrary choice, we insert  $(0, 3, 2)$  and get the following result:

$$3^2 \cdot 2 = 0^3 + 1 \cdot 0 \cdot 2^2 + 1 \cdot 2^3 \Leftrightarrow 3 = 3$$

This tells us that the affine point  $[0 : 4 : 1]$  is indeed a solution to the equation (5.21), but we could just as well have inserted any other representative of the element. For example, inserting  $(0, 1, 4)$  also satisfies (5.21):

$$1^2 \cdot 4 = 0^3 + 1 \cdot 0 \cdot 4^2 + 1 \cdot 4^3 \Leftrightarrow 4 = 4$$

To find the projective representation of  $E_{1,1}(\mathbb{F}_5)$ , we first observe that the projective line at infinity  $[1 : 0 : 0]$  is not a curve point on any projective Short Weierstrass curve, since it cannot satisfy the defining equation in (5.19) for any parameter  $a$  and  $b$ . Therefore, we can exclude it from our consideration.

Moreover, a point at infinity  $[X : Y : 0]$  can only satisfy the equation in (5.19) for any  $a$  and  $b$ , if  $X = 0$ , which implies that the only point at infinity relevant for Short Weierstrass elliptic curves is  $[0 : 1 : 0]$ , since  $[0 : k : 0] = [0 : 1 : 0]$  for all  $k \in \mathbb{F}^*$ . Therefore, we can exclude all points at infinity except the point  $[0 : 1 : 0]$ .

All points that remain are the affine points  $[X : Y : 1]$ . Inserting all of them into (5.21), we get the set of all projective curve points as follows:

$$E_{1,1}(\mathbb{F}_5\mathbb{P}^2) = \{[0 : 1 : 0], [0 : 1 : 1], [2 : 1 : 1], [3 : 1 : 1], [4 : 2 : 1], [4 : 3 : 1], [0 : 4 : 1], [2 : 4 : 1], [3 : 4 : 1]\} \quad (5.23)$$

If we compare this with the affine representation, we see that there is a 1:1 correspondence between the points in the affine representation in (5.20) and the affine points in projective geometry, and that the projective point  $[0 : 1 : 0]$  represents the additional point  $\mathcal{O}$  in the affine representation.

*Exercise 66.* Consider example 81 and compute the set (5.23) by inserting all points from the projective plane  $\mathbb{F}_5\mathbb{P}^2$  into the defining projective Short Weierstrass equation.

*Exercise 67.* Compute the projective representation of the Tiny-jubjub curve (example 71) and the logarithmic order of its large prime-order subgroup with respect to the generator  $[7 : 11 : 1]$  in projective coordinates.

### 5.1.3.1 Projective Group law

As we saw in section 5.1.2, one of the key properties of an elliptic curve is that it comes with a definition of a group law on the set of its points, described geometrically by the chord-and-tangent rule (definition 5.1.2.1). This rule was fairly intuitive, with the exception of the distinguished point at infinity, which appeared whenever the chord or the tangent did not have a third intersection point with the curve.

One of the key features of projective coordinates is that, in projective space, it is guaranteed that any chord will always intersect the curve in three points, and any tangent will intersect it in two points. So, the geometric picture simplifies, as we don't need to consider external symbols and associated cases. The price to pay for this mathematical simplification is that projective coordinates might be less intuitive for beginners.

It can be shown that the points of an elliptic curve in projective space form a commutative group with respect to the tangent-and-chord rule such that the projective point  $[0 : 1 : 0]$  is the neutral element, and the additive inverse of a point  $[X : Y : Z]$  is given by  $[X : -Y : Z]$ . The addition law is usually described by algorithm 7, minimizing the number of necessary additions and multiplications in the base field.

*Exercise 68.* Consider example 81 again. Compute the following expression for projective points on  $E_{1,1}(\mathbb{F}_5\mathbb{P}^2)$  using algorithm 7:

- $[0 : 1 : 0] \oplus [4 : 3 : 1]$
- $[0 : 3 : 0] \oplus [3 : 1 : 2]$
- $-[0 : 4 : 1] \oplus [3 : 4 : 1]$
- $[4 : 3 : 1] \oplus [4 : 2 : 1]$

and then solve the equation  $[X : Y : Z] \oplus [0 : 1 : 1] = [2 : 4 : 1]$  for some point  $[X : Y : Z]$  from the projective Short Weierstrass curve  $E_{1,1}(\mathbb{F}_5\mathbb{P}^2)$ .

*Exercise 69.* Compare the affine addition law for Short Weierstrass curves with the projective addition rule. Which branch in the projective rule corresponds to which case in the affine law?

### 5.1.3.2 Coordinate Transformations

As we can see by comparing the examples 81 and 81, there is a close relation between the affine and the projective representation of a Short Weierstrass curve. This is not a coincidence. In fact, from a mathematical point of view, projective and affine Short Weierstrass curves describe the same thing, as there is a one-to-one correspondence (an isomorphism) between both representations for any parameters  $a$  and  $b$ .

To specify the correspondence, let  $E(\mathbb{F})$  and  $E(\mathbb{F}\mathbb{P}^2)$  be an affine and a projective Short Weierstrass curve defined for the same parameters  $a$  and  $b$ . Then, the function in (5.24) maps points from the affine representation to points from the projective representation of a Short Weierstrass curve. In other words, if the pair of field elements  $(x, y)$  satisfies the affine Short Weierstrass equation  $y^2 = x^3 + ax + b$ , then all homogeneous coordinates  $(x_1, y_1, z_1) \in [x : y : 1]$  satisfy the projective Short Weierstrass equation  $y_1^2 \cdot z_1 = x_1^3 + ay_1 \cdot z_1^2 + b \cdot z_1^3$ .

$$I : E(\mathbb{F}) \rightarrow E(\mathbb{F}\mathbb{P}^2) : \begin{array}{ll} (x, y) & \mapsto [x : y : 1] \\ \mathcal{O} & \mapsto [0 : 1 : 0] \end{array} \quad (5.24)$$

This map is a 1 : 1 correspondence, which means that it maps exactly one point from the affine representation onto one point from the projective representation. It is therefore possible to invert this map in order to map points from the projective representation to points from the affine representation of a Short Weierstrass curve. The inverse is given by the following map:

$$I^{-1} : E(\mathbb{F}\mathbb{P}^2) \rightarrow E(\mathbb{F}) : [X : Y : Z] \mapsto \begin{cases} (\frac{X}{Z}, \frac{Y}{Z}) & \text{if } Z \neq 0 \\ \mathcal{O} & \text{if } Z = 0 \end{cases} \quad (5.25)$$

**Algorithm 7** Projective Short Weierstrass Addition Law

---

**Require:**  $[X_1 : Y_1 : Z_1], [X_2 : Y_2 : Z_2] \in E(\mathbb{F}\mathbb{P}^2)$

**procedure** ADD-RULE( $[X_1 : Y_1 : Z_1], [X_2 : Y_2 : Z_2]$ )

**if**  $[X_1 : Y_1 : Z_1] == [0 : 1 : 0]$  **then**

$[X_3 : Y_3 : Z_3] \leftarrow [X_2 : Y_2 : Z_2]$

**else if**  $[X_2 : Y_2 : Z_2] == [0 : 1 : 0]$  **then**

$[X_3 : Y_3 : Z_3] \leftarrow [X_1 : Y_1 : Z_1]$

**else**

$U_1 \leftarrow Y_2 \cdot Z_1$

$U_2 \leftarrow Y_1 \cdot Z_2$

$V_1 \leftarrow X_2 \cdot Z_1$

$V_2 \leftarrow X_1 \cdot Z_2$

**if**  $V_1 == V_2$  **then**

**if**  $U_1 \neq U_2$  **then**  $[X_3 : Y_3 : Z_3] \leftarrow [0 : 1 : 0]$

**else**

**if**  $Y_1 == 0$  **then**  $[X_3 : Y_3 : Z_3] \leftarrow [0 : 1 : 0]$

**else**

$W \leftarrow a \cdot Z_1^2 + 3 \cdot X_1^2$

$S \leftarrow Y_1 \cdot Z_1$

$B \leftarrow X_1 \cdot Y_1 \cdot S$

$H \leftarrow W^2 - 8 \cdot B$

$X' \leftarrow 2 \cdot H \cdot S$

$Y' \leftarrow W \cdot (4 \cdot B - H) - 8 \cdot Y_1^2 \cdot S^2$

$Z' \leftarrow 8 \cdot S^3$

$[X_3 : Y_3 : Z_3] \leftarrow [X' : Y' : Z']$

**end if**

**end if**

**else**

$U = U_1 - U_2$

$V = V_1 - V_2$

$W = Z_1 \cdot Z_2$

$A = U^2 \cdot W - V^3 - 2 \cdot V^2 \cdot V_2$

$X' = V \cdot A$

$Y' = U \cdot (V^2 \cdot V_2 - A) - V^3 \cdot U_2$

$Z' = V^3 \cdot W$

$[X_3 : Y_3 : Z_3] \leftarrow [X' : Y' : Z']$

**end if**

**end if**

**return**  $[X_3 : Y_3 : Z_3]$

**end procedure**

**Ensure:**  $[X_3 : Y_3 : Z_3] == [X_1 : Y_1 : Z_1] \oplus [X_2 : Y_2 : Z_2]$

---



Note that the only projective point  $[X : Y : Z]$  with  $Z = 0$  that satisfies the equation in 5.19 is given by the class  $[0 : 1 : 0]$ . A key feature of  $I$  and its inverse is that both maps respect the group structure, which means that the neutral element is mapped to the neutral element  $I(\mathcal{O}) = [0 : 1 : 0]$ , and that  $I((x_1, y_1) \oplus (x_2, y_2))$  is equal to  $I(x_1, y_1) \oplus I(x_2, y_2)$ . The same holds true for the inverse map  $I^{-1}$ .

Maps with these properties are called **group isomorphisms**, and, from a mathematical point of view, the existence of function  $I$  implies that the affine and the projective definition of Short Weierstrass elliptic curves are equivalent, and represent the same mathematical thing in just two different views. Implementations can therefore choose freely between these two representations.

## 5.2 Montgomery Curves

Affine and the projective Short Weierstrass forms are the most general ways to describe elliptic curves over fields of characteristics larger than 3. However, in certain situations, it might be advantageous to consider more specialized representations of elliptic curves, in order to get faster algorithms for the group law or the scalar multiplication, for example.

As we will see in this section, so-called **Montgomery curves** are a subset of all elliptic curves that can be written in the **Montgomery form**. Those curves allow for constant time algorithms for (specializations of) the elliptic curve scalar multiplication.

To see what a Montgomery curve in its affine representation is, let  $\mathbb{F}$  be a prime field of order  $p > 3$ , and let  $A, B \in \mathbb{F}$  be two field elements such that  $B \neq 0$  and  $A^2 \not\equiv 4 \pmod{p}$ . A **Montgomery elliptic curve**  $M(\mathbb{F})$  over  $\mathbb{F}$  in its affine representation is the set of all pairs of field elements  $(x, y) \in \mathbb{F} \times \mathbb{F}$  that satisfy the **Montgomery cubic equation**  $B \cdot y^2 = x^3 + A \cdot x^2 + x$ , together with a distinguished symbol  $\mathcal{O}$ , called the **point at infinity**.

$$M(\mathbb{F}) = \{(x, y) \in \mathbb{F} \times \mathbb{F} \mid B \cdot y^2 = x^3 + A \cdot x^2 + x\} \cup \{\mathcal{O}\} \quad (5.26)$$

Despite the fact that Montgomery curves look different from Short Weierstrass curves, they are just a special way to describe certain Short Weierstrass curves. In fact, every curve in affine Montgomery form can be transformed into an elliptic curve in Short Weierstrass form. To see that, assume that a curve is given in Montgomery form  $By^2 = x^3 + Ax^2 + x$ . The associated Short Weierstrass form is then defined as follows:

$$y^2 = x^3 + \frac{3 - A^2}{3 \cdot B^2} \cdot x + \frac{2 \cdot A^3 - (9 \pmod{p}) \cdot A}{(27 \pmod{p}) \cdot B^3} \quad (5.27)$$

On the other hand, not every elliptic curve  $E(\mathbb{F})$  over a prime field  $\mathbb{F}$  of characteristic  $p > 3$  given in Short Weierstrass form  $y^2 = x^3 + ax + b$  can be converted into Montgomery form. For a Short Weierstrass curve to be a Montgomery curve, the following conditions need to hold:

*Definition 5.2.0.1.*

- The number of points on  $E(\mathbb{F})$  is divisible by 4.
- The polynomial  $z^3 + az + b \in \mathbb{F}[z]$  has at least one root  $z_0 \in \mathbb{F}$ .
- $3z_0^2 + a$  is a quadratic residue in  $\mathbb{F}^*$ .

When these conditions are satisfied, then for  $s = (\sqrt{3z_0^2 + a})^{-1}$ , a Montgomery curve is defined by the following equation:

$$sy^2 = x^3 + (3z_0s)x^2 + x \quad (5.28)$$

In the following example, we will look at the Tiny-jubjub curve again, and show that it is actually a Montgomery curve.

*Example 82.* Consider the prime field  $\mathbb{F}_{13}$  and the Tiny-jubjub curve  $TJJ\_13$  from example 71. To see that it is a Montgomery curve, we have to check the requirements from definition 5.2.0.1:

Since the order of  $TJJ\_13$  is 20, which is divisible by 4, the first requirement is met.

As for the second criterion, since  $a = 8$  and  $b = 8$ , we have to check that the polynomial  $P(z) = z^3 + 8z + 8$  has a root in  $\mathbb{F}_{13}$ . To see this, we simply evaluate  $P$  at all numbers  $z \in \mathbb{F}_{13}$ , and find that  $P(4) = 0$ , so a root is given by  $z_0 = 4$ .

In the last step, we have to check that  $3 \cdot z_0^2 + a$  has a root in  $\mathbb{F}_{13}^*$ . We compute as follows:

$$\begin{aligned} 3z_0^2 + a &= 3 \cdot 4^2 + 8 \\ &= 3 \cdot 3 + 8 \\ &= 9 + 8 \\ &= 4 \end{aligned}$$

To see that 4 is a quadratic residue in  $\mathbb{F}_{13}$ , we use Euler's criterion (4.46) to compute the Legendre symbol of 4. We get the following:

$$\left(\frac{4}{13}\right) = 4^{\frac{13-1}{2}} = 4^6 = 1$$

This means that 4 does have a root in  $\mathbb{F}_{13}$ . In fact, computing a root of 4 in  $\mathbb{F}_{13}$  is easy, since the integer root 2 of 4 is also one of its roots in  $\mathbb{F}_{13}$ . The other root is given by  $13 - 2 = 11$ .

Since all requirements are met, we have shown that  $TJJ\_13$  is indeed a Montgomery curve, and we can use (5.28) to compute its associated Montgomery form as follows:

$$\begin{aligned} s &= \left(\sqrt{3 \cdot z_0^2 + 8}\right)^{-1} \\ &= 2^{-1} && \# \text{ Fermat's little theorem} \\ &= 2^{13-2} && \# 2048 \bmod 13 = 7 \\ &= 7 \end{aligned}$$

The defining equation for the Montgomery form of the Tiny-jubjub curve is given by as follows:

$$\begin{aligned} sy^2 &= x^3 + (3z_0s)x^2 + x && \Rightarrow \\ 7 \cdot y^2 &= x^3 + (3 \cdot 4 \cdot 7)x^2 + x && \Leftrightarrow \\ 7 \cdot y^2 &= x^3 + 6x^2 + x \end{aligned}$$

So, we get the defining parameters as  $B = 7$  and  $A = 6$ , and we can write the Tiny-jubjub curve in its affine Montgomery representation as follows:

$$TJJ\_13 = \{(x, y) \in \mathbb{F}_{13} \times \mathbb{F}_{13} \mid 7 \cdot y^2 = x^3 + 6x^2 + x\} \cup \{\mathcal{O}\} \quad (5.29)$$

Now that we have the abstract definition of the Tiny-jubjub curve in Montgomery form, we can compute the set of points by inserting all pairs  $(x, y) \in \mathbb{F}_{13} \times \mathbb{F}_{13}$ , similarly to how we computed the curve points in its Short Weierstrass representation (5.2). We get the following:

$$M_{TJJ_{13}} = \{\mathcal{O}, (0, 0), (1, 4), (1, 9), (2, 4), (2, 9), (3, 5), (3, 8), (4, 4), (4, 9), (5, 1), (5, 12), (7, 1), (7, 12), (8, 1), (8, 12), (9, 2), (9, 11), (10, 3), (10, 10)\} \quad (5.30)$$

We can check the results with Sage:

```
sage: F13 = GF(13) 331
sage: L_MTJJ = [] 332
.....: for x in F13: 333
.....:     for y in F13: 334
.....:         if F13(7)*y^2 == x^3 + F13(6)*x^2 + x: 335
.....:             L_MTJJ.append((x, y)) 336
sage: MTJJ = Set(L_MTJJ) 337
sage: # does not compute the point at infinity 338
```

*Exercise 70.* Consider example 82 and compute the set in (5.30) by inserting every pair of field elements  $(x, y) \in \mathbb{F}_{13} \times \mathbb{F}_{13}$  into the defining Montgomery equation.

*Exercise 71.* Consider the elliptic curve  $E_{1,1}(\mathbb{F}_5)$  from example 70 and show that  $E_{1,1}(\mathbb{F}_5)$  is not a Montgomery curve.

*Exercise 72.* Consider the elliptic curve secp256k1 from example 72 and show that secp256k1 is not a Montgomery curve.

### 5.2.1 Affine Montgomery coordinate transformation

Comparing the Montgomery representation in (5.29) with the Short Weierstrass representation of the same curve in (5.2), we see that there is a 1:1 correspondence between the curve points in these two examples. This is no accident. In fact, if  $M_{A,B}$  is a Montgomery curve, and  $E_{a,b}$  a Short Weierstrass curve with  $a = \frac{3-A^2}{3B^2}$  and  $b = \frac{2A^2-9A}{27B^3}$ , then the following function maps all points in Montgomery representation onto the points in Short Weierstrass representation:

$$I : M_{A,B} \rightarrow E_{a,b} : (x, y) \mapsto \left( \frac{3x+A}{3B}, \frac{y}{B} \right) \quad (5.31)$$

The point at infinity of the Montgomery form is mapped to the point at infinity of the Short Weierstrass form. This map is a 1:1 correspondence (an isomorphism), and its inverse map is given by the following equation (where  $z_0$  is a root of the polynomial  $z^3 + az + b \in \mathbb{F}[z]$  and  $s = (\sqrt{3z_0^2 + a})^{-1}$ ).

$$I^{-1} : E_{a,b} \rightarrow M_{A,B} : (x, y) \mapsto (s \cdot (x - z_0), s \cdot y) \quad (5.32)$$

The point at infinity of the Short Weierstrass form is mapped to the point at infinity of the Montgomery form. Using this map, it is therefore possible for implementations of Montgomery curves to freely transit between the Short Weierstrass and the Montgomery form.

*Example 83.* Consider the Tiny-jubjub curve again. In 5.2 we defined its Short Weierstrass representation and in example 5.29, we derived its Montgomery representation.

To see how the coordinate transformation  $I$  works in this example, let's map points from the Montgomery representation onto points from the Short Weierstrass representation. Inserting, for example, the point  $(0,0)$  from the Montgomery representation (5.29) into  $I$  gives the following:

$$\begin{aligned} I(0,0) &= \left( \frac{3 \cdot 0 + A}{3B}, \frac{0}{B} \right) \\ &= \left( \frac{3 \cdot 0 + 6}{3 \cdot 7}, \frac{0}{7} \right) \\ &= \left( \frac{6}{8}, 0 \right) \\ &= (4,0) \end{aligned}$$

As we can see, the Montgomery point  $(0,0)$  maps to the self-inverse point  $(4,0)$  of the Short Weierstrass representation. On the other hand, we can use our computations of  $s = 7$  and  $z_0 = 4$  from example 82 to compute the inverse map  $I^{-1}$ , which maps points on the Short Weierstrass representation to points on the Montgomery form. Inserting, for example,  $(4,0)$  we get the following:

$$\begin{aligned} I^{-1}(4,0) &= (s \cdot (4 - z_0), s \cdot 0) \\ &= (7 \cdot (4 - 4), 0) \\ &= (0,0) \end{aligned}$$

As expected, the inverse map maps the Short Weierstrass point back to where it originated in the Montgomery form. We can use Sage to check that our computation of  $I$  is correct:

```
sage: # Compute I of Montgomery form: 339
sage: L_I_MTJJ = [] 340
sage: for (x,y) in L_MTJJ: # LMTJJ as defined previously 341
....:     v = (F13(3)*x + F13(6)) / (F13(3)*F13(7)) 342
....:     w = y/F13(7) 343
....:     L_I_MTJJ.append((v,w)) 344
sage: I_MTJJ = Set(L_I_MTJJ) 345
sage: # Computation \concept{short Weierstrass} form 346
sage: C_WTJJ = EllipticCurve(F13, [8, 8]) 347
sage: L_WTJJ = [P.xy() for P in C_WTJJ.points() if P.order() > 348
1]
sage: WTJJ = Set(L_WTJJ) 349
sage: # check I(Montgomery) == Weierstrass 350
sage: WTJJ == I_MTJJ 351
True 352
sage: # check the inverse map I^(-1) 353
sage: L_IINV_WTJJ = [] 354
sage: for (v,w) in L_WTJJ: 355
....:     x = F13(7)*(v-F13(4)) 356
....:     y = F13(7)*w 357
....:     L_IINV_WTJJ.append((x,y)) 358
sage: IINV_WTJJ = Set(L_IINV_WTJJ) 359
```

```
sage: MTJJ == IINV_WTJJ
True
```

360

361

## 5.2.2 Montgomery group law

We have seen that Montgomery curves are special cases of Short Weierstrass curves. As such, they have a group structure defined on the set of their points, which can also be derived from the chord-and-tangent rule. In accordance with Short Weierstrass curves, it can be shown that the identity  $x_1 = x_2$  implies  $y_2 = \pm y_1$ , meaning that the following rules are a complete description of the elliptic curve group law:

*Definition 5.2.2.1 (Montgomery group law).*

- (The neutral element) The point at infinity  $\mathcal{O}$  is the neutral element.
- (The inverse element) The inverse of  $\mathcal{O}$  is  $\mathcal{O}$ . For any other curve point  $(x, y) \in M(\mathbb{F}_q) \setminus \{\mathcal{O}\}$ , the inverse is given by  $(x, -y)$ .
- (The group law) For any two curve points  $P, Q \in M(\mathbb{F}_q)$ , the group law is defined by one of the following cases:
  1. (Neutral element) If  $Q = \mathcal{O}$ , then the sum is defined as  $P \oplus Q = P$ .
  2. (Inverse elements) If  $P = (x, y)$  and  $Q = (x, -y)$ , the group law is defined as  $P \oplus Q = \mathcal{O}$ .
  3. (Tangent rule) If  $P = (x, y)$  with  $y \neq 0$ , the group law  $P \oplus P = (x', y')$  is defined as follows:

$$x' = \left(\frac{3x^2 + 2Ax + 1}{2By}\right)^2 \cdot B - 2x - A \quad , \quad y' = \frac{3x^2 + 2Ax + 1}{2By}(x - x') - y$$

4. (Chord rule) If  $P = (x_1, y_1)$  and  $Q = (x_2, y_2)$  such that  $x_1 \neq x_2$ , the group law  $R = P \oplus Q$  with  $R = (x', y')$  is defined as follows:

$$x' = \left(\frac{y_2 - y_1}{x_2 - x_1}\right)^2 B - (x_1 + x_2) - A \quad , \quad y' = \frac{y_2 - y_1}{x_2 - x_1}(x_1 - x') - y_1$$

*Exercise 73.* Consider the commutative group  $(M_{TJJ\_13}, \oplus)$  of the Tiny-jubjub curve in its Montgomery form from example (5.30).

1. Compute the inverse of  $(1, 9)$ ,  $\mathcal{O}$ ,  $(7, 12)$  and  $(4, 9)$ .
2. Solve the equation  $x \oplus (3, 8) = (10, 3)$  for some  $x \in M_{TJJ\_13}$ .

Choose some element  $x \in M_{TJJ\_13}$  and test if  $x$  is a generator of  $M_{TJJ\_13}$ . If  $x$  is not a generator, repeat until you find some generator  $x$ . Write  $M_{TJJ\_13}$  in logarithmic order with respect to  $x$ .

*Exercise 74.* Consider the curve `alt_bn128` from example 73. Show that this curve is not a Montgomery curve.

### 5.3 Twisted Edwards Curves

As we have seen in definition 5.1.2.2 and definition 5.2.2.1, both Short Weierstrass and Montgomery curves have somewhat complicated group laws, as many cases have to be distinguished. This can add complexity to a programming implementation, because each case translates to another branches in a computer program. However, in the context of SNARK development, computational models for bounded computations are used in which program branches are undesirably costly (more on this in section 6.2.1 and 6.2.2). To make elliptic curves “SNARK-friendly”, it is therefore advantageous to look for curves with a group law that requires no branches and utilizes as few field operations as possible.

So-called **SNARK-friendly Twisted Edwards curves** are particularly useful here, as these curves have a compact and easily implementable group law that works for all points including the point at infinity. Implementing this law needs no branching.

To see what a **Twisted Edwards curve** in its affine form looks like, let  $\mathbb{F}$  be a finite field of characteristic  $> 3$ , and let  $a, d \in \mathbb{F} \setminus \{0\}$  be two non-zero field elements such that  $a \neq d$ . A **Twisted Edwards elliptic curve** in its affine representation is the set of all pairs  $(x, y)$  from  $\mathbb{F} \times \mathbb{F}$  that satisfy the Twisted Edwards equation  $a \cdot x^2 + y^2 = 1 + d \cdot x^2 y^2$ :

$$E(\mathbb{F}) = \{(x, y) \in \mathbb{F} \times \mathbb{F} \mid a \cdot x^2 + y^2 = 1 + d \cdot x^2 y^2\} \quad (5.33)$$

A Twisted Edwards curve is called a **SNARK-friendly Twisted Edwards curve** if the parameter  $a$  is a quadratic residue and the parameter  $d$  is a quadratic non-residue.

As we can see from the definition, affine Twisted Edwards curves look somewhat different from Short Weierstrass curves, as their affine representation does not need a special symbol to represent the point at infinity. In fact, the pair  $(0, 1)$  is always a point on any Twisted Edwards curve, and it takes the role of the point at infinity.

Despite their different appearances, Twisted Edwards curves are equivalent to Montgomery curves in the sense that, for every Twisted Edwards curve, there is a Montgomery curve, and a way to map the points of one curve onto the other (and vice versa) in a 1:1 correspondence.

To see that, assume that a curve in Twisted Edwards form is given. The associated Montgomery curve is then defined by the Montgomery equation:

$$\frac{4}{a-d} y^2 = x^3 + \frac{2(a+d)}{a-d} \cdot x^2 + x \quad (5.34)$$

On the other hand, a Montgomery curve  $By^2 = x^3 + Ax^2 + x$  such that  $B \neq 0$  and  $A^2 \neq 4$  gives rise to a Twisted Edwards curve defined by the following equation:

$$\left(\frac{A+2}{B}\right)x^2 + y^2 = 1 + \left(\frac{A-2}{B}\right)x^2 y^2 \quad (5.35)$$

*Example 84.* Consider the Tiny-jubjub curve from example 71 again. We know from example 82 that it is a Montgomery curve, and, since Montgomery curves are equivalent to Twisted Edwards curves, we want to write this curve in Twisted Edwards form. We use equation (5.35),

and compute the parameters  $a$  and  $d$  as follows:

$$\begin{aligned} a &= \frac{A+2}{B} && \# \text{ insert } A=6 \text{ and } B=7 \\ &= \frac{8}{7} = 3 && \# 7^{-1} = 2 \\ \\ d &= \frac{A-2}{B} \\ &= \frac{4}{7} = 8 \end{aligned}$$

Thus, we get the defining parameters  $a = 3$  and  $d = 8$ .

Since our goal is to use this curve later in implementations of pen-and-paper SNARKs, let us show that Tiny-jubjub is also a SNARK-friendly Twisted Edwards curve. To see that, we have to show that  $a$  is a quadratic residue and  $d$  is a quadratic non-residue. We therefore compute the Legendre symbols of  $a$  and  $d$  using Euler's criterion. We get the following:

$$\begin{aligned} \left(\frac{3}{13}\right) &= 3^{\frac{13-1}{2}} \\ &= 3^6 = 1 \end{aligned}$$

$$\begin{aligned} \left(\frac{8}{13}\right) &= 8^{\frac{13-1}{2}} \\ &= 8^6 = 12 = -1 \end{aligned}$$

This proves that Tiny-jubjub is SNARK-friendly. We can write the Tiny-jubjub curve in its affine Twisted Edwards representation as follows:

$$TJJ_{13} = \{(x, y) \in \mathbb{F}_{13} \times \mathbb{F}_{13} \mid 3 \cdot x^2 + y^2 = 1 + 8 \cdot x^2 \cdot y^2\} \quad (5.36)$$

Now that we have the abstract definition of our Tiny-jubjub curve in Twisted Edwards form, we can compute the set of points by inserting all pairs  $(x, y) \in \mathbb{F}_{13} \times \mathbb{F}_{13}$ , similarly to how we computed the curve points in its Short Weierstrass or Edwards representation. We get the following:

$$\begin{aligned} TE\_TJJ_{13} = \{(0, 1), (0, 12), (1, 2), (1, 11), (2, 6), (2, 7), (3, 0), (5, 5), (5, 8), (6, 4), \\ (6, 9), (7, 4), (7, 9), (8, 5), (8, 8), (10, 0), (11, 6), (11, 7), (12, 2), (12, 11)\} \end{aligned} \quad (5.37)$$

We double-check our results with Sage:

```
sage: F13 = GF(13) 362
sage: L_ETJJ = [] 363
.....: for x in F13: 364
.....:     for y in F13: 365
.....:         if F13(3)*x^2 + y^2 == 1 + F13(8)*x^2*y^2: 366
.....:             L_ETJJ.append((x, y)) 367
sage: ETJJ = Set(L_ETJJ) 368
```

### 5.3.1 Twisted Edwards group law

As we have seen, Twisted Edwards curves are equivalent to Montgomery curves, and, as such, they also have a group law. However, in contrast to Montgomery and Short Weierstrass curves, the group law of SNARK-friendly Twisted Edwards curves can be described by a single computation that works in all cases, even if we add the neutral element, the inverse, or if we have to double a point.

To see what the Twisted Edwards group law looks like, let  $(x_1, y_1), (x_2, y_2)$  be two points on an Edwards curve  $E(\mathbb{F})$ . The sum of those points is then given by the following equation:

$$(x_1, y_1) \oplus (x_2, y_2) = \left( \frac{x_1 y_2 + y_1 x_2}{1 + dx_1 x_2 y_1 y_2}, \frac{y_1 y_2 - ax_1 x_2}{1 - dx_1 x_2 y_1 y_2} \right) \quad (5.38)$$

In order to see what the neutral element of the group law is, first observe that the point  $(0, 1)$  is a solution to the Twisted Edwards equation  $a \cdot x^2 + y^2 = 1 + d \cdot x^2 \cdot y^2$  for any parameters  $a$  and  $d$ , and hence  $(0, 1)$  is a point on any Twisted Edwards curve. It can be shown that  $(0, 1)$  serves as the neutral element, and that the inverse of a point  $(x_1, y_1)$  is given by the point  $(-x_1, y_1)$ .

*Example 85.* Let's look at the Tiny-jubjub curve in Edwards form from (5.36) again. As we have seen, this curve is given by as follows:

$$TE\_TJJ\_13 = \{(0, 1), (0, 12), (1, 2), (1, 11), (2, 6), (2, 7), (3, 0), (5, 5), (5, 8), (6, 4), (6, 9), (7, 4), (7, 9), (8, 5), (8, 8), (10, 0), (11, 6), (11, 7), (12, 2), (12, 11)\} \quad (5.39)$$

To get an understanding of the Twisted Edwards addition law, let's first add the neutral element  $(0, 1)$  to itself. We apply the group law from (5.38) and get the following:

$$\begin{aligned} (0, 1) \oplus (0, 1) &= \left( \frac{0 \cdot 1 + 1 \cdot 0}{1 + 8 \cdot 0 \cdot 0 \cdot 1 \cdot 1}, \frac{1 \cdot 1 - 3 \cdot 0 \cdot 0}{1 - 8 \cdot 0 \cdot 0 \cdot 1 \cdot 1} \right) \\ &= (0, 1) \end{aligned}$$

So, as expected, the neutral element added to itself results in the neutral element.

Now let's add the neutral element to some other curve point. We get the following:

$$\begin{aligned} (0, 1) \oplus (8, 5) &= \left( \frac{0 \cdot 5 + 1 \cdot 8}{1 + 8 \cdot 0 \cdot 8 \cdot 1 \cdot 5}, \frac{1 \cdot 5 - 3 \cdot 0 \cdot 8}{1 - 8 \cdot 0 \cdot 8 \cdot 1 \cdot 5} \right) \\ &= (8, 5) \end{aligned}$$

Again, as expected, adding the neutral element to any element will result in that element.

Given any curve point  $(x, y)$ , we know that its inverse is given by  $(-x, y)$ . To see how adding a point to its inverse works, we compute as follows:

$$\begin{aligned} (5, 5) \oplus (8, 5) &= \left( \frac{5 \cdot 5 + 5 \cdot 8}{1 + 8 \cdot 5 \cdot 8 \cdot 5 \cdot 5}, \frac{5 \cdot 5 - 3 \cdot 5 \cdot 8}{1 - 8 \cdot 5 \cdot 8 \cdot 5 \cdot 5} \right) \\ &= \left( \frac{12 + 1}{1 + 5}, \frac{12 - 3}{1 - 5} \right) \\ &= \left( \frac{0}{6}, \frac{12 + 10}{1 + 8} \right) \\ &= \left( 0, \frac{9}{9} \right) \\ &= (0, 1) \end{aligned}$$



Adding a curve point to its inverse gives the neutral element, as expected.

As we have seen from these examples, the Twisted Edwards addition law handles edge cases particularly well and in a unified way.

*Exercise 75.* Consider the commutative group  $(TE\_TJJ\_13, \oplus)$  from example 85.

1. Compute the inverse of  $(1, 11)$ ,  $(0, 1)$ ,  $(3, 0)$  and  $(5, 8)$ .
2. Solve the equation  $x \oplus (5, 8) = (1, 11)$  for some  $x \in TE\_TJJ\_13$ .

Choose some element  $x \in TE\_TJJ\_13$ , and test if  $x$  is a generator of  $TE\_TJJ\_13$ . If  $x$  is not a generator, repeat until you find some generator  $x$ . Write  $TE\_TJJ\_13$  in logarithmic order with respect to  $x$ .

## 5.4 Elliptic Curve Pairings

As introduced in (4.9), some groups come with the notion of a pairing map. In this section, we discuss **pairings on elliptic curves**, which form the basis of several zk-SNARKs and other zero-knowledge proof schemes, essentially because they allow computations “in the exponent” (see example 38) to be split into different parts computable by different parties.<sup>5</sup>

We start out by defining some important subgroups of the so-called full torsion group of an elliptic curve. We then introduce the Weil pairing of an elliptic curve, and describe Miller’s algorithm, which makes these pairings efficiently computable.

### 5.4.1 Embedding Degrees

As we will see in what follows, every elliptic curve gives rise to a pairing map. However, we will also see in example 88 that not every such pairing can be efficiently computed. In order to distinguish curves with efficiently computable pairings from the rest, we need to start with an introduction to the so-called **embedding degree** of a curve.

To see what the embedding degree of an elliptic curve is, let  $\mathbb{F}$  be a finite field of order  $|\mathbb{F}| = q$ ,  $E(\mathbb{F})$  an elliptic curve over  $\mathbb{F}$ , and let  $r$  be a prime factor of the order  $n$  of  $E(\mathbb{F})$ . The embedding degree of  $E(\mathbb{F})$  with respect to  $r$  is the smallest integer  $k$  such that the following equation holds:

$$r \mid q^k - 1 \tag{5.40}$$

Fermat’s little theorem (3.17) implies that there always exists an embedding degree  $k(r)$  for every elliptic curve and that any factor  $r$  of the curve’s order  $n$ , since  $k = r - 1$  is always a solution to the congruency  $q^k \equiv 1 \pmod{r}$ . This implies that the remainder of the integer division of  $q^{r-1} - 1$  by  $r$  is 0.

*Notation and Symbols 14.* Let  $\mathbb{F}$  be a finite field of order  $q$ , and be  $E(\mathbb{F})$  an elliptic curve over  $\mathbb{F}$  such that  $r$  is a prime factor of the order of  $E(\mathbb{F})$ . We write  $k(r)$  for the embedding degree of  $E(\mathbb{F})$  with respect to  $r$ .

*Example 86.* To get a better intuition of the embedding degree, let’s consider the elliptic curve  $E_{1,1}(\mathbb{F}_5)$  from example 70. We know that the order of  $E_{1,1}(\mathbb{F}_5)$  is 9, and, since the only prime factor of 9 is 3, we compute the embedding degree of  $E_{1,1}(\mathbb{F}_5)$  with respect to 3.

<sup>5</sup>A more detailed introduction to elliptic curve pairings can be found, for example, in chapter 6, section 6.8 and 6.9 in Hoffstein et al. [2008].

To find the embedding degree, we have to find the smallest integer  $k$  such that 3 divides  $q^k - 1 = 5^k - 1$ . We try and increment until we find a proper  $k$ .

$$\begin{array}{ll} k = 1 : 5^1 - 1 = 4 & \text{not divisible by 3} \\ k = 2 : 5^2 - 1 = 24 & \text{divisible by 3} \end{array}$$

This shows that the embedding degree of the elliptic curve  $E_{1,1}(\mathbb{F}_5)$  relative to the prime factor 3 of the order of  $E_{1,1}(\mathbb{F}_5)$  is 2.

*Example 87.* Let us consider the Tiny-jubjub curve  $TJJ\_13$  from example 71. We know that the order of  $TJJ\_13$  is 20, and that the order therefore has two prime factors, a large prime factor 5 and a small prime factor 2.

We start by computing the embedding degree of  $TJJ\_13$  with respect to the large prime factor 5. To find this embedding degree, we have to find the smallest integer  $k$  such that 5 divides  $q^k - 1 = 13^k - 1$ . We try and increment until we find a proper  $k$ .

$$\begin{array}{ll} k = 1: 13^1 - 1 = 12 & \text{not divisible by 5} \\ k = 2: 13^2 - 1 = 168 & \text{not divisible by 5} \\ k = 3: 13^3 - 1 = 2196 & \text{not divisible by 5} \\ k = 4: 13^4 - 1 = 28560 & \text{divisible by 5} \end{array}$$

Now we know that the embedding degree of  $TJJ\_13$  relative to the prime factor 5 is  $k(5) = 4$ .

In real-world applications, like in the case of pairing-friendly elliptic curves such as BLS\_12-381, usually only the embedding degree of the large prime factor is relevant. In the case of our Tiny-jubjub curve, this is represented by 5. It should be noted, however, that every prime factor of a curve's order has its own embedding degree despite the fact that this is mostly irrelevant in applications.

To find the embedding degree of the small prime factor 2, we have to find the smallest integer  $k$  such that 2 divides  $q^k - 1 = 13^k - 1$ . We try and increment until we find a proper  $k$ .

$$k = 1: 13^1 - 1 = 12 \quad \text{divisible by 2}$$

Now we know that the embedding degree of  $TJJ\_13$  relative to the prime factor 2 is 1. As we have seen, different prime factors can have different embedding degrees in general.

We check our computations with Sage:

```
sage: p = ZZ(13)                                     369
sage: # large prime factor                           370
sage: r = ZZ(5)                                       371
sage: k = ZZ(1)                                       372
sage: while k < r: # Fermat's little theorem          373
.....:     if (p^k-1)%r == 0:                         374
.....:         break                                   375
.....:         k=k+1                                    376
sage: k                                               377
4                                                       378
sage: # small prime factor                            379
sage: r = ZZ(2)                                       380
```

```

sage: k = ZZ(1) 381
sage: while k < r: # Fermat's little theorem 382
.....:     if (p^k-1)%r == 0: 383
.....:         break 384
.....:     k=k+1 385
sage: k 386
1 387

```

*Example 88.* To give an example of a cryptographically secure real-world elliptic curve that does not have a small embedding degree, let's look at curve `secp256k1` again. We know from example 72 that the order of this curve is a prime number, which means that we only have a single embedding degree.

To test potential embedding degrees  $k$ , say, in the range  $1 \leq k < 1000$ , we can use Sage and compute as follows:

```

sage: p = ZZ(1157920892373161954235709850086879078532699846656 388
40564039457584007908834671663)
sage: r = ZZ(1157920892373161954235709850086879078528375642790 389
74904382605163141518161494337)
sage: k = ZZ(1) 390
sage: while k < 1000: 391
.....:     if (p^k-1)%r == 0: 392
.....:         break 393
.....:     k=k+1 394
sage: k 395
1000 396

```

We see that `secp256k1` has no embedding degree  $k < 1000$ , which means that `secp256k1` is a curve that has no small embedding degree. This property will be of importance later on.

*Example 89.* To give an example of a cryptographically secure real-world elliptic curve that does have a small embedding degree, let's look at curve `alt_bn128` again. We know from example 73 that the order of this curve is a prime number, which means that we only have a single embedding degree.

To compute the embedding degrees  $k$ , we can use Sage and loop through small embedding degrees until we find a match. We compute as follows:

```

sage: p = ZZ(2188824287183927522224640574525727508869631115729 397
7823662689037894645226208583)
sage: r = ZZ(2188824287183927522224640574525727508854836440041 398
6034343698204186575808495617)
sage: k = ZZ(1) 399
sage: # degree is supposed to be small 400
sage: while k < 50: 401
.....:     if (p^k-1)%r == 0: 402
.....:         break 403
.....:     k=k+1 404
sage: k 405
12 406

```

### 5.4.1.1 Elliptic Curves over extension fields

Suppose that  $p$  is a prime number, and  $\mathbb{F}_p$  its associated prime field. We know from equation (4.47) that the fields  $\mathbb{F}_{p^m}$  are extensions of  $\mathbb{F}_p$  in the sense that  $\mathbb{F}_p$  is a subfield of  $\mathbb{F}_{p^m}$ . This implies that we can extend the affine plane that an elliptic curve is defined on by changing the base field to any extension field. To be more precise, let  $E(\mathbb{F}) = \{(x, y) \in \mathbb{F} \times \mathbb{F} \mid y^2 = x^3 + a \cdot x + b\}$  be an affine Short Weierstrass curve, with parameters  $a$  and  $b$  taken from  $\mathbb{F}$ . If  $\mathbb{F}'$  is an extension field of  $\mathbb{F}$ , then we extend the domain of the curve by defining  $E(\mathbb{F}')$  as follows:

$$E(\mathbb{F}') = \{(x, y) \in \mathbb{F}' \times \mathbb{F}' \mid y^2 = x^3 + a \cdot x + b\} \quad (5.41)$$

While we did not change the defining parameters, we consider curve points from the affine plane over the extension field now. Since  $\mathbb{F} \subset \mathbb{F}'$ , it can be shown that the original elliptic curve  $E(\mathbb{F})$  is a sub-curve of the extension curve  $E(\mathbb{F}')$ .

*Example 90.* Consider the prime field  $\mathbb{F}_5$  from example 64 together with the elliptic curve  $E_{1,1}(\mathbb{F}_5)$  and its definition from example 70 and the construction the extension field  $\mathbb{F}_{5^2}$  relative to the polynomial  $t^2 + 2 \in \mathbb{F}_5[t]$  from exercise 56. In this example we extend the definition of  $E_{1,1}(\mathbb{F}_5)$  to an elliptic curve over  $\mathbb{F}_{5^2}$  and compute its set of points:

$$E_{1,1}(\mathbb{F}_{5^2}) = \{(x, y) \in \mathbb{F}_{5^2} \times \mathbb{F}_{5^2} \mid y^2 = x^3 + x + 1\}$$

Since  $\mathbb{F}_{5^2}$  contains 25 points, in order to compute the set  $E_{1,1}(\mathbb{F}_{5^2})$ , we have to try  $25 \cdot 25 = 625$  pairs, which is probably a bit tedious. Instead, we use Sage to compute the curve for us. To do, we choose the representation of  $\mathbb{F}_{5^2}$  from 56. We get:

```
sage: F5= GF(5) 407
sage: F5t.<t> = F5[] 408
sage: P_MOD_2 = F5t(t^2+2) 409
sage: P_MOD_2.is_irreducible() 410
True 411
sage: F5_2.<t> = GF(5^2, name='t', modulus=P_MOD_2) 412
sage: E1F5_2 = EllipticCurve(F5_2, [1, 1]) 413
sage: E1F5_2.order() 414
27 415
```

The curve  $E_{1,1}(\mathbb{F}_{5^2})$  consist of 27 points, in contrast to curve  $E_{1,1}(\mathbb{F}_5)$ , which consists of 9 points. Writing those points down gives the following:

$$\begin{aligned} E_{1,1}(\mathbb{F}_{5^2}) = \{ & \mathcal{O}, (0, 4), (0, 1), (3, 4), (3, 1), (4, 3), (4, 2), (2, 4), (2, 1), \\ & (4t + 3, 3t + 4), (4t + 3, 2t + 1), (3t + 2, t), (3t + 2, 4t), \\ & (2t + 2, t), (2t + 2, 4t), (2t + 1, 4t + 4), (2t + 1, t + 1), \\ & (2t + 3, 3), (2t + 3, 2), (t + 3, 2t + 4), (t + 3, 3t + 1), \\ & (3t + 1, t + 4), (3t + 1, 4t + 1), (3t + 3, 3), (3t + 3, 2), (1, 4t), (1, t) \} \end{aligned}$$

As we can see, the set of points from the elliptic curve  $E_{1,1}(\mathbb{F}_5)$  is a subset of the sets of points from the elliptic curve  $E(\mathbb{F}_{5^2})$ . This was expected since the prime field  $\mathbb{F}_5$  is a subfield of the finite field  $\mathbb{F}_{5^2}$ .

*Exercise 76.* Consider the Short Weierstrass elliptic curve  $E(\mathbb{F}_{5^2})$  from example 90, compute the expression  $(4t + 3, 2t + 1) \oplus (3t + 3, 2)$  using pen and paper and double-check the computation using sage. Then solve the equation  $x \oplus (3t + 3, 3) = (3, 4)$  for some  $x \in E(\mathbb{F}_{5^2})$ . After that

compute the scalar multiplication  $[5](2t + 1, 4t + 4)$  using the double-and-add algorithm from exercise 38.

*Exercise 77.* Consider the Tiny-jubjub curve from example 71. Show that the polynomial  $t^4 + 2 \in \mathbb{F}_{13}[t]$  is irreducible. Then write a sage program to implement the finite field extension  $\mathbb{F}_{13^4}$ , implement the curve extension  $TJJ\_13(\mathbb{F}_{13^4})$  and compute the number of curve points.

*Exercise 78.* Consider the `alt_bn128` curve and its associated base field  $\mathbb{F}_p$  from example 73. As we know from example 89 this curve has an embedding degree of 12. Use Sage to find an irreducible polynomial  $P \in \mathbb{F}_p[t]$  and write a sage program to implement the finite field extension  $\mathbb{F}_{p^{12}}$  and to implement the curve extension  $alt\_bn128(\mathbb{F}_{p^{12}})$  and compute the number of curve points.

## 5.4.2 Full torsion groups

As we will see in what follows, cryptographically interesting pairings are defined on so-called torsion subgroups of elliptic curves. To define **torsion groups** of an elliptic curve, let  $\mathbb{F}$  be a finite field,  $E(\mathbb{F})$  an elliptic curve of order  $n$  and  $r$  a factor of  $n$ . Then the  **$r$ -torsion group** of the elliptic curve  $E(\mathbb{F})$  is defined as the set

$$E(\mathbb{F})[r] := \{P \in E(\mathbb{F}) \mid [r]P = \mathcal{O}\} \quad (5.42)$$

The fundamental theorem of finite cyclic groups 4.1.4.1 states that every factor  $r$  of a cyclic group's order uniquely defines a subgroup of the size of that factor and those subgroup are important examples of  $r$ -torsion groups. We have seen examples of those subgroups in 79 and 80.

When we consider elliptic curve extensions as defined in 5.41, we could ask what happens to the  $r$ -torsion groups in the extension. One might intuitively think that their extension just parallels the extension of the curve. For example, when  $E(\mathbb{F}_p)$  is a curve over prime field  $\mathbb{F}_p$ , with some  $r$ -torsion group  $E(\mathbb{F}_p)[r]$  and when we extend the curve to  $E(\mathbb{F}_{p^m})$ , then there might be a bigger  $r$ -torsion group  $E(\mathbb{F}_{p^m})[r]$  such that  $E(\mathbb{F}_p)[r]$  is a subgroup of  $E(\mathbb{F}_{p^m})[r]$ . This might make intuitive sense, as  $E(\mathbb{F}_p)$  is a subset of  $E(\mathbb{F}_{p^m})$ .

However, the actual situation is a bit more surprising than that. To see that, let  $\mathbb{F}_p$  be a prime field and let  $E(\mathbb{F}_p)$  be an elliptic curve of order  $n$ , such that  $r$  is a factor of  $n$ , with embedding degree  $k(r)$  and  $r$ -torsion group  $E(\mathbb{F}_p)[r]$ . Then the  $r$ -torsion group  $E(\mathbb{F}_{p^m})[r]$  of a curve extension is equal to  $E(\mathbb{F}_p)[r]$ , only as long as the power  $m$  is less than the embedding degree  $k(r)$  of  $E(\mathbb{F}_p)$ .

For the prime power  $p^{k(r)}$ , the  $r$ -torsion group  $E(\mathbb{F}_{p^{k(r)}})[r]$  might then be larger than  $E(\mathbb{F}_p)[r]$  and it contains  $E(\mathbb{F}_p)[r]$  as a subgroup. We call it the **full  $r$ -torsion group** of that elliptic curve and write is as follows

$$E[r] := E(\mathbb{F}_{p^{k(r)}})[r] \quad (5.43)$$

The  $r$ -torsion groups  $E(\mathbb{F}_{p^m})[r]$  of any curve extensions for  $m > k(r)$  are all equal to  $E[r]$ . In this sense  $E[r]$  is already the largest  $r$ -torsion group, which justifies the name. The full  $r$ -torsion group contains  $r^2$  many elements and consists of  $r + 1$  subgroups, one of which is  $E(\mathbb{F}_p)[r]$ . The following diagram summarizes the situation:

$$\begin{array}{cccccccc} E(\mathbb{F}_p) & \subset & \cdots & \subset & E(\mathbb{F}_{p^{k(r)-1}}) & \subset & E(\mathbb{F}_{p^{k(r)}}) & \subset & E(\mathbb{F}_{p^{k(r)+1}}) & \subset & \cdots \\ E(\mathbb{F}_p)[r] & = & \cdots & = & E(\mathbb{F}_{p^{k(r)-1}})[r] & \subset & E(\mathbb{F}_{p^{k(r)}})[r] & = & E(\mathbb{F}_{p^{k(r)+1}})[r] & = & \cdots \end{array} \quad (5.44)$$

So, when we consider nested elliptic curve extensions as in 5.44, ordered by the prime power  $m$ , then the  $r$ -torsion group stays constant for every level  $m$  that is smaller than the embedding

degree  $k(r)$ , while it suddenly blossoms into a larger group on level  $k(r)$  with  $r + 1$  subgroups, and then all  $r$ -torsion groups on higher levels  $m \geq k(r)$  stay the same. In other words, once the extension field is big enough to find one more curve point  $P$  with  $[r]P = \mathcal{O}$  that is not an element of the curve over the base field, then we actually find all of the points in the full torsion group.

*Example 91.* Consider curve  $E_{1,1}(\mathbb{F}_5)$  again. We know from 79 that it contains a 3-torsion group and that the embedding degree of 3 is  $k(3) = 2$ . From this we can deduce that we can find the full 3-torsion group  $E_{1,1}[3]$  in the curve extension  $E_{1,1}(\mathbb{F}_{5^2})$ , the latter of which we computed in example 90.

Since that curve is small, in order to find the full 3-torsion, we can loop through all elements of  $E_{1,1}(\mathbb{F}_{5^2})$  and check the defining equation  $[3]P = \mathcal{O}$ . Invoking Sage and using our implementation of  $E_{1,1}(\mathbb{F}_{5^2})$  in sage from 90, we compute as follows:

```
sage: INF = E1F5_2(0) # Point at infinity          416
sage: L_E1_3 = []                                  417
sage: for p in E1F5_2:                             418
.....:     if 3*p == INF:                          419
.....:         L_E1_3.append(p)                    420
sage: E1_3 = Set(L_E1_3) # Full 3-torsion set      421
```

$$E_{1,1}[3] = \{\mathcal{O}, (2, 1), (2, 4), (1, t), (1, 4t), (2t + 1, t + 1), (2t + 1, 4t + 4), (3t + 1, t + 4), (3t + 1, 4t + 1)\}$$

As we can see the group  $E_{1,1}[3]$  contains  $9 = 3^3$  many elements and the 3-torsion group  $E_{1,1}(\mathbb{F}_5)[3]$  of the curve over the prime field is a subset of the full torsion group.

*Example 92.* HHHH Consider the Tiny-jubjub curve from example 71. We know from example 87 that it contains a 5-torsion group and that the embedding degree of 5 is 4. This implies that we can find the full 5-torsion group  $TJJ\_13[5]$  in the curve extension  $TJJ\_13(\mathbb{F}_{13^4})$ .

To compute the full torsion, first observe that, since  $\mathbb{F}_{13^4}$  contains 28561 elements, computing  $TJJ\_13(\mathbb{F}_{13^4})$  means checking  $28561^2 = 815730721$  elements. From each of these curve points  $P$ , we then have to check the equation  $[5]P = \mathcal{O}$ . Doing this for 815730721 is a bit too slow even on a computer.

Fortunately, Sage has a function that computes all points  $P$ , such that  $[m]P = Q$  for given integer  $m$  and curve point  $Q$ . Using the curve extension from exercise 77, the following Sage code provides a way to compute the full torsion group:

```
sage: # define the extension field                422
sage: F13= GF(13) # prime field                  423
sage: F13t.<t> = F13[] # polynomials over t      424
sage: P_MOD_4 = F13t(t^4+2) # degree 4 irreducible polynomial 425
sage: P_MOD_4.is_irreducible()                  426
True                                           427
sage: F13_4.<t> = GF(13^4, name='t', modulus=P_MOD_4) 428
sage: TJJF13_4 = EllipticCurve(F13_4, [8, 8]) # TJJ extension 429
sage: # compute the full 5-torsion              430
sage: INF = TJJF13_4(0) # point at infinity     431
sage: L_TJJF13_4_5 = INF.division_points(5) # [5]P == INF 432
sage: TJJF13_4_5 = Set(L_TJJF13_4_5)          433
sage: TJJF13_4_5.cardinality() # number of elements 434
25                                             435
```

As expected, we get a group that contains  $5^2 = 25$  elements. To see that the embedding degree 4

is actually the smallest prime power to find the full 5-torsion group, let's compute the 5-torsion group over of the Tiny-jubjub curve of the extension field  $\mathbb{F}_{13^3}$ . We get the following:

```

sage: # define the extension field                                436
sage: P_MOD_3 = F13t(t^3+2) # degree 3 irreducible polynomial  437
sage: P_MOD_3.is_irreducible()                                  438
True                                                            439
sage: F13_3.<t> = GF(13^3, name='t', modulus=P_MOD_3)           440
sage: TJJF13_3 = EllipticCurve(F13_3, [8, 8]) # TJJ extension  441
sage: # compute the 5-torsion                                   442
sage: INF = TJJF13_3(0)                                        443
sage: L_TJJF13_3_5 = INF.division_points(5) # [5]P == INF     444
sage: TJJF13_3_5 = Set(L_TJJF13_3_5) # $5$-torsion           445
sage: TJJF13_3_5.cardinality() # number of elements           446
5                                                                447

```

As we can see, the 5-torsion group of Tiny-jubjub over  $\mathbb{F}_{13^3}$  is equal to the 5-torsion group of Tiny-jubjub over  $\mathbb{F}_{13}$  itself.

*Example 93.* Let's look at the curve `secp256k1`. We know from example 72 that the curve is of some prime order  $r$ . Because of this, the only torsion group to consider is the curve itself, so the curve group is the  $r$ -torsion.

In order to find the full  $r$ -torsion of `secp256k1`, we need to compute the embedding degree  $k$ . And as we have seen in 88 it is at least not small. However, we know from Fermat's little theorem 3.17 that a finite embedding degree must exist. It can be shown that it is given by the following 256-bit number:

$$k = 192986815395526992372618308347813175472927379845817397100860523586360249056$$

This means that the embedding degree is very large, which implies that the field extension  $\mathbb{F}_{p^k}$  is very large too. To understand how big  $\mathbb{F}_{p^k}$  is, recall that an element of  $\mathbb{F}_{p^m}$  can be represented as a string  $\langle x_0, \dots, x_m \rangle$  of  $m$  elements, each containing a number from the prime field  $\mathbb{F}_p$ . Now, in the case of `secp256k1`, such a representation has  $k$ -many entries, each of them 256 bits in size. So, without any optimizations, representing such an element would need  $k \cdot 256$  bits. It follows that it is not only infeasible to compute the full  $r$ -torsion group of `secp256k1`, but moreover to even write down single elements of that group in general.

*Exercise 79.* Consider the full 5-torsion group  $TJJ\_13[5]$  from example 92. Write down the set of all elements from this group and identify the subset of all elements from  $TJJ\_13(\mathbb{F}_{13})[5]$  as well as  $TJJ\_13(\mathbb{F}_{13^2})[5]$ . Then compute the 5-torsion group  $TJJ\_13(\mathbb{F}_{13^8})[5]$ .

*Exercise 80.* Consider the curve `secp256k1` from example 72 and its full  $r$ -torsion group as introduced in example 93. Write down a single element from the curves full torsion group that is not the point at infinity.

*Exercise 81.* Consider the curve `alt_bn128` from example 73 and its curve extension from exercise 78. Write a Sage program that computes a generator from the curves full torsion group.

### 5.4.3 Pairing groups

As we have stated above, any full  $r$ -torsion group contains  $r + 1$  cyclic subgroups, two of which are of particular interest in pairing-based elliptic curve cryptography. To characterize these



groups, we need to consider the so-called **Frobenius endomorphism** of an elliptic curve  $E(\mathbb{F})$  over some finite field  $\mathbb{F}$  of characteristic  $p$ :

$$\pi : E(\mathbb{F}) \rightarrow E(\mathbb{F}) : \begin{array}{l} (x, y) \mapsto (x^p, y^p) \\ \mathcal{O} \mapsto \mathcal{O} \end{array} \quad (5.45)$$

It can be shown that  $\pi$  maps curve points to curve points. The first thing to note is that, in case  $\mathbb{F}$  is a prime field, the Frobenius endomorphism acts as the identity map, since  $(x^p, y^p) = (x, y)$  on prime fields due to Fermat's little theorem 3.17. This means that the Frobenius map is more interesting on elliptic curves over prime field extensions.

With the Frobenius map at hand, we can characterize two important subgroups of the full  $r$ -torsion group  $E[r]$  of an elliptic curve. The first subgroup is the group of elements from the full  $r$ -torsion group, on which the Frobenius map acts trivially. Since in pairing-based cryptography, this group is usually written as  $\mathbb{G}_1$ , assuming that the prime factor  $r$  in the definition is implicitly given, we define  $\mathbb{G}_1$  as follows:

$$\mathbb{G}_1[r] := \{(x, y) \in E[r] \mid \pi(x, y) = (x, y)\} \quad (5.46)$$

It can be shown that  $\mathbb{G}_1$  is precisely the  $r$ -torsion group  $E(\mathbb{F}_p)[r]$  of the unextended elliptic curve defined over the prime field. There is another subgroup of the full  $r$ -torsion group that can be characterized by the Frobenius map and in the context of pairing-based cryptography, this subgroup is often called  $\mathbb{G}_2$ . This group is defined as follows:

$$\mathbb{G}_2[r] := \{(x, y) \in E[r] \mid \pi(x, y) = [p](x, y)\} \quad (5.47)$$

*Notation and Symbols 15.* If  $E(\mathbb{F})$  is an elliptic curve and  $r$  is the largest prime factor of the curves order, we call  $\mathbb{G}_1[r]$  and  $\mathbb{G}_2[r]$  **pairing groups**. If the prime factor  $r$  is clear from the context, we sometimes simply write  $\mathbb{G}_1$  and  $\mathbb{G}_2$  to mean  $\mathbb{G}_1[r]$  and  $\mathbb{G}_2[r]$ , respectively.

It should be noted that other definitions of  $\mathbb{G}_2$  exists in the literature, too. However, in the context of pairing-based cryptography, this is a common choice as it is particularly useful because we can define efficient hash functions that map into  $\mathbb{G}_2$ , which is not possible for all subgroups of the full  $r$ -torsion.

*Example 94.* Consider the curve  $E_{1,1}(\mathbb{F}_5)$  from example 70 again. As we have seen, this curve has the embedding degree  $k = 2$ , and a full 3-torsion group is given as follows:

$$E_{1,1}[3] = \{\mathcal{O}, (2, 1), (2, 4), (1, t), (1, 4t), (2t + 1, t + 1), (2t + 1, 4t + 4), (3t + 1, t + 4), (3t + 1, 4t + 1)\} \quad (5.48)$$

According to the general theory,  $E_{1,1}[3]$  contains 4 subgroups, and we can characterize the subgroups  $\mathbb{G}_1$  and  $\mathbb{G}_2$  using the Frobenius endomorphism. Unfortunately, at the time of writing, Sage does not have a predefined Frobenius endomorphism for elliptic curves, so we have to use the Frobenius endomorphism of the underlying field as a temporary workaround. Using our implementation of  $E_{1,1}[3]$  in sage from example 91, we compute  $\mathbb{G}_1$  as follows:

```
sage: L_G1 = [] 448
sage: for P in E1_3: 449
.....:     PiP = E1F5_2([a.frobenius() for a in P]) # pi(P) 450
.....:     if P == PiP: 451
.....:         L_G1.append(P) 452
sage: G1 = Set(L_G1) 453
```



As expected, the group  $\mathbb{G}_1 = \{\mathcal{O}, (2, 4), (2, 1)\}$  is identical to the 3-torsion group of the (unextended) curve over the prime field  $E_{1,1}(\mathbb{F}_5)$ .

In order to compute the group  $\mathbb{G}_2$  for the curve  $E_{1,1}(\mathbb{F}_5)$ , we can use almost the same algorithm as we used for the computation of  $\mathbb{G}_1$ . Since  $p = 5$  we get the following:

```
sage: L_G2 = [] 454
sage: for P in E1_3: 455
.....:     PiP = E1F5_2([a.frobenius() for a in P]) # pi(P) 456
.....:     pP = 5*P # [5]P 457
.....:     if pP == PiP: 458
.....:         L_G2.append(P) 459
sage: G2 = Set(L_G2) 460
```

Thus, we have computed the pairing group  $\mathbb{G}_2$  of the full 3-torsion group of curve  $E_{1,1}(\mathbb{F}_5)$  as the set  $\mathbb{G}_2 = \{\mathcal{O}, (1, t), (1, 4t)\}$ .

*Example 95.* Consider the Tiny-jubjub curve  $TJJ\_13$  from example 71. In example 92 we computed its full 5 torsion, which is a group that has 6 subgroups. We compute  $\mathbb{G}_1$  using Sage as follows:

```
sage: L_TJJ_G1 = [] 461
sage: for P in TJJF13_4_5: 462
.....:     PiP = TJJF13_4([a.frobenius() for a in P]) # pi(P) 463
.....:     if P == PiP: 464
.....:         L_TJJ_G1.append(P) 465
sage: TJJ_G1 = Set(L_TJJ_G1) 466
```

We get  $\mathbb{G}_1 = \{\mathcal{O}, (7, 2), (8, 8), (8, 5), (7, 11)\}$  and as expected,  $\mathbb{G}_1$  is identical to the 5-torsion group of the (unextended) curve over the prime field  $TJJ_3$  as computed in example 5.18.

In order to compute the group  $\mathbb{G}_2$  for the tiny jubjub curve, we can use almost the same algorithm as we used for the computation of  $\mathbb{G}_1$ . Since  $p = 13$  we get the following:

```
sage: L_TJJ_G2 = [] 467
sage: for P in TJJF13_4_5: 468
.....:     PiP = TJJF13_4([a.frobenius() for a in P]) # pi(P) 469
.....:     pP = 13*P # [13]P 470
.....:     if pP == PiP: # pi(P) == [13]P 471
.....:         L_TJJ_G2.append(P) 472
sage: TJJ_G2 = Set(L_TJJ_G2) 473
```

$$\mathbb{G}_2 = \{\mathcal{O}, (9t^2 + 7, t^3 + 11t), (9t^2 + 7, 12t^3 + 2t), (4t^2 + 7, 5t^3 + 10t), (4t^2 + 7, 8t^3 + 3t)\}$$

*Example 96.* Consider Bitcoin's curve `secp256k1` again. Since the group  $\mathbb{G}_1$  is identical to the torsion group of the unextended curve, and since `secp256k1` has prime order, we know that, in this case,  $\mathbb{G}_1$  is identical to `secp256k1` itself. However it is infeasible to compute elements from  $\mathbb{G}_2$ , since according to example 93 we can not store average curve points from the extension curve  $secp256k1(\mathbb{F}_{p^k})$  on any computer, let alone compute their images under the Frobenius map.

*Exercise 82.* Consider the small prime factor 2 of the Tiny-jubjub curve. Compute the full 2-torsion group of  $TJJ\_13$  and then compute the groups  $\mathbb{G}_1[2]$  and  $\mathbb{G}_2[2]$ .

*Exercise 83.* Consider the curve `alt_bn128` from example 73 and its curve extension from exercise 78. Write a Sage program that computes a generator for each of the torsion group  $\mathbb{G}_1[p]$

and  $\mathbb{G}_2[p]$ .

### 5.4.4 The Weil pairing

Recall the definition of a non-degenerate group pairing from 4.9. In this part, we consider a pairing function defined on the subgroups  $\mathbb{G}_1[r]$  and  $\mathbb{G}_2[r]$  of the full  $r$ -torsion  $E[r]$  of a Short Weierstrass elliptic curve. To be more precise, let  $E(\mathbb{F}_p)$  be an elliptic curve of embedding degree  $k$  such that  $r$  is a prime factor of its order. Then the **Weil pairing** is defined as the following bilinear, non-degenerate map:

$$e(\cdot, \cdot) : \mathbb{G}_1[r] \times \mathbb{G}_2[r] \rightarrow \mathbb{F}_{p^k}^* ; (P, Q) \mapsto (-1)^r \cdot \frac{f_{r,P}(Q)}{f_{r,Q}(P)} \quad (5.49)$$

The extension field elements  $f_{r,P}(Q), f_{r,Q}(P) \in \mathbb{F}_{p^k}$  in the definition of the Weil pairing are computed by **Miller's algorithm** below.

---

**Algorithm 8** Miller's algorithm for Short Weierstrass curves  $y^2 = x^3 + ax + b$

---

**Require:**  $r > 3, P \in E[r], Q \in E[r]$  and

$b_0, \dots, b_t \in \{0, 1\}$  with  $r = b_0 \cdot 2^0 + b_1 \cdot 2^1 + \dots + b_t \cdot 2^t$  and  $b_t = 1$

**procedure** MILLER'S ALGORITHM( $P, Q$ )

**if**  $P = \mathcal{O}$  or  $Q = \mathcal{O}$  or  $P = Q$  **then**

**return**  $f_{r,P}(Q) \leftarrow (-1)^r$

**end if**

$(x_T, y_T) \leftarrow (x_P, y_P)$

$f_1 \leftarrow 1$

$f_2 \leftarrow 1$

**for**  $j \leftarrow t - 1, \dots, 0$  **do**

$m \leftarrow \frac{3 \cdot x_T^2 + a}{2 \cdot y_T}$

$f_1 \leftarrow f_1^2 \cdot (y_Q - y_T - m \cdot (x_Q - x_T))$

$f_2 \leftarrow f_2^2 \cdot (x_Q + 2x_T - m^2)$

$x_{2T} \leftarrow m^2 - 2x_T$

$y_{2T} \leftarrow -y_T - m \cdot (x_{2T} - x_T)$

$(x_T, y_T) \leftarrow (x_{2T}, y_{2T})$

**if**  $b_j = 1$  **then**

$m \leftarrow \frac{y_T - y_P}{x_T - x_P}$

$f_1 \leftarrow f_1 \cdot (y_Q - y_T - m \cdot (x_Q - x_T))$

$f_2 \leftarrow f_2 \cdot (x_Q + (x_P + x_T) - m^2)$

$x_{T+P} \leftarrow m^2 - x_T - x_P$

$y_{T+P} \leftarrow -y_T - m \cdot (x_{T+P} - x_T)$

$(x_T, y_T) \leftarrow (x_{T+P}, y_{T+P})$

**end if**

**end for**

$f_1 \leftarrow f_1 \cdot (x_Q - x_T)$

**return**  $f_{r,P}(Q) \leftarrow \frac{f_1}{f_2}$

**end procedure**

---

Understanding the details of how and why this algorithm works requires the concept of **divisors**, which is outside of the scope this book. The interested reader might look at chapter

6, section 6.8.3 in Hoffstein et al. [2008], or at Craig Costello’s great tutorial on elliptic curve pairings. As we can see, the algorithm is more efficient on prime numbers  $r$ , that have a low Hamming weight 3.13.

We call an elliptic curve  $E(\mathbb{F}_p)$  **pairing-friendly** if there is a prime factor of the groups order such that the Weil pairing is efficiently computable with respect to that prime factor. In real-world applications of pairing-friendly elliptic curves, the embedding degree is usually a small number like 2, 4, 6 or 12, and the number  $r$  is the largest prime factor of the curve’s order.

*Example 97.* Consider curve  $E_{1,1}(\mathbb{F}_5)$  from example 70. Since the only prime factor of the group’s order is 3, we cannot compute the Weil pairing on this group using our definition of Miller’s algorithm. In fact, since  $\mathbb{G}_1$  is of order 3, executing the algorithm will lead to a “division by zero”.

*Example 98.* Consider the Tiny-jubjub curve  $TJJ\_13(\mathbb{F}_{13})$  from example 71 and its associated pairing groups from example 95:

$$\begin{aligned}\mathbb{G}_1[5] &= \{\mathcal{O}, (7, 2), (8, 8), (8, 5), (7, 11)\} \\ \mathbb{G}_2[5] &= \{\mathcal{O}, (9t^2 + 7, t^3 + 11t), (9t^2 + 7, 12t^3 + 2t), (4t^2 + 7, 5t^3 + 10t), (4t^2 + 7, 8t^3 + 3t)\}\end{aligned}$$

Since we know from example 87 that the embedding degree of 5 is 4, we can instantiate the general definition of the Weil pairing for this example as follows:

$$e(\cdot, \cdot) : \mathbb{G}_1[5] \times \mathbb{G}_2[5] \rightarrow \mathbb{F}_{13^4}$$

The first if-statement in Miller’s algorithm, implies that  $e(\mathcal{O}, Q) = 1$  as well as  $e(P, \mathcal{O}) = 1$  for all arguments  $P \in \mathbb{G}_1[5]$  and  $Q \in \mathbb{G}_2[5]$ . In order to compute a non-trivial Weil pairing, we choose the argument  $P = (7, 2) \in \mathbb{G}_1$  and  $Q = (9t^2 + 7, 12t^3 + 2t) \in \mathbb{G}_2$ . Invoking sage we get the following computation of the Weil pairing:

```
sage: F13 = GF(13) 474
sage: F13t.<t> = F13[] 475
sage: P_MOD_4 = F13t(t^4+2) 476
sage: F13_4.<t> = GF(13^4, name='t', modulus=P_MOD_4) 477
sage: TJJF13_4 = EllipticCurve(F13_4, [8, 8]) 478
sage: P=TJJF13_4([7, 2]) 479
sage: Q=TJJF13_4([9*t^2+7, 12*t^3+2*t]) 480
sage: P.weil_pairing(Q, 5) 481
7*t^3 + 7*t^2 + 6*t + 3 482
```

*Example 99.* Consider Bitcoin’s curve secp256k1 again. As we have seen in example 96, it is infeasible to compute elements from the pairing group  $\mathbb{G}_2$  and as we know from example 93 it is moreover infeasible to do calculations in the extension field  $\mathbb{F}_{p^k}$ . It follows that the Weil pairing is not efficiently computable and that secp256k1 is not pairing friendly.

*Exercise 84.* Consider the curve alt\_bn128 from example 73 and the generators  $g_1$  and  $g_2$  of  $\mathbb{G}_1[p]$  and  $\mathbb{G}_2[p]$  from exercise 83. Write a Sage program that computes the Weil pairing  $e(g_1, g_2)$ .

## 5.5 Hashing to Curves

Elliptic curve cryptography frequently requires the ability to hash data onto elliptic curves. If the order of the curve is not a prime number, hashing to prime order subgroups is of importance,

too and in the context of pairing-friendly curves, it is sometimes necessary to hash specifically onto the pairing group  $\mathbb{G}_1$  or  $\mathbb{G}_2$  as introduced in 5.4.3.

As we have seen in section 4.1.7, some general methods are known for hashing into finite cyclic groups and since elliptic curves over finite fields are finite and cyclic groups, those methods can be utilized in this case, too. However, in what follows we want to describe some methods specific to elliptic curves that are frequently used in real-world applications.

### 5.5.1 Try-and-increment hash functions

One of the most straight-forward ways of hashing onto an elliptic curve point in a secure way is to use a cryptographic hash function together with one of the hashing into modular arithmetics methods as described in section 4.2.1.

Both constructions can be combined in such a way that the image provides an element of the base field of the elliptic curve together with a single auxiliary bit. The base field element can then be interpreted as the  $x$ -coordinate of a potential curve point, and the auxiliary bit can be used to determine one of the two possible  $y$  coordinates of that curve point as explained in 5.1.1.2.

Such an approach would be deterministic and easy to implement, and it would conserve the cryptographic properties of the original hash function. However, not all  $x$  coordinates generated in such a way will result in quadratic residues when inserted into the defining equation. It follows that not all field elements give rise to actual curve points.

In fact, on a prime field, only half of the field elements are quadratic residues. Hence, assuming an even distribution of the hash values in the field, this method would fail to generate a curve point in about half of the attempts.

One way to account for this problem is the following so-called **try-and-increment** method. Instead of simply hashing a binary string  $s$  to the field, this method uses a try-and-increment hash to the base field as described in 4.2.1.1 in combination with a single auxiliary bit derived from the underlying cryptographic hash function.

If any try of hashing to the field does not result in a field element or a valid curve point, the counter is incremented, and the hashing is repeated. This is done until a valid curve point is found (see the algorithm below).

The try-and-increment method is relatively easy to implement, and it maintains the cryptographic properties of the original hash function. It should be noted that if the curve is not of prime order, the image of the try-and-increment hash will be a general curve point that might not be an element from the large prime-order subgroup. To map onto the large prime order subgroup it is therefore necessary to apply the technique of cofactor clearing as explained in 4.7.

*Example 100.* Consider the Tiny-jubjub curve from example 71. We want to construct a try-and-increment hash function that maps a binary string  $s$  of arbitrary length onto the large prime-order subgroup of size 5 from example 5.18.

Since the curve  $TJJ_{13}$  is defined over the field  $\mathbb{F}_{13}$ , and the binary representation of 13 is  $Bits(13) = \langle 1, 1, 0, 1 \rangle$ , one way to implement a try-and-increment function is to apply SHA256 from Sage's hashlib library on the concatenation  $s||c$  for some binary counter string  $c$ , and use the first 4 bits of the image to try to hash into  $\mathbb{F}_{13}$ . In case we are able to hash to a value  $x$  such that  $x^3 + 8 \cdot x + 8$  is a quadratic residue in  $\mathbb{F}_{13}$ , we use the fifth bit to decide which of the two possible roots of  $x^3 + 8 \cdot x + 8$  we will choose as the  $y$  coordinate. The result is a curve point different from the point at infinity. To project it onto the large prime order subgroup  $TJJ_{13}[5]$ ,

**Algorithm 9** Hash-to- $E(\mathbb{F}_p)$ **Require:**  $p \in \mathbb{Z}$  with  $|p| = k$  and  $s \in \{0, 1\}^*$ **Require:** Curve equation  $y^2 = x^3 + ax + b$  over  $\mathbb{F}_p$ **procedure** TRY-AND-INCREMENT( $r, k, s$ ) $c \leftarrow 0$ 

▷ Try-and-Increment counter

**repeat** $s' \leftarrow s || \text{Bits}(c)$  $x \leftarrow H(s')_0 \cdot 2^0 + H(s')_1 \cdot 2^1 + \dots + H(s')_k \cdot 2^k$ ▷ potential  $x$  $y^2 \leftarrow z^3 + a \cdot z + b$ ▷ potential  $y^2$  $c \leftarrow c + 1$ **until**  $x < p$  and  $(y^2)^{\frac{p-1}{2}} \bmod r = 1$ ▷ Check  $x$  in field and  $y^2$  has root**if**  $H(s')_{k+1} == 0$  **then**

▷ auxiliary bit decides root

 $y \leftarrow y' \in \sqrt{y^2}$  with  $0 \leq y' \leq (p-1)/2$ **else** $y \leftarrow y' \in \sqrt{y^2}$  with  $(p-1)/2 < y' < p$ **end if****return**  $(x, y)$ **end procedure****Ensure:**  $(x, y) \in E(\mathbb{F}_r)$ 

we multiply it with the cofactor 4. If the result is not the point at infinity, it is the result of the hash.

To make this concrete, let  $s = \langle 1, 1, 1, 0, 0, 1, 0, 0, 0, 0 \rangle$  be our binary string that we want to hash onto  $TJJ_13[5]$ . We use a binary counter string starting at zero, that is, we choose  $c = \langle 0 \rangle$ . Invoking Sage, we define the try-hash function as follows:

```

sage: import hashlib                                     483
sage: def try_hash(s, c):                               484
.....:     s_1 = s+c # string concatenation             485
.....:     hasher = hashlib.sha256(s_1.encode('utf-8')) # 486
.....:     compute SHA256
.....:     digest = hasher.hexdigest()                  487
.....:     z = ZZ(digest, 16) # cast into integer        488
.....:     z_bin = z.digits(base=2, padto=256) # cast to 256 489
.....:     bits
.....:     x = z_bin[0]*2^0 + z_bin[1]*2^1 + z_bin[2]*2^2+z_bin 490
.....:           [3]*2^3
.....:     return (x, z_bin[4])                          491
sage: try_hash('1110010000', '0')                     492
(15, 1)                                                493

```

As we can see, our first attempt to hash into  $\mathbb{F}_{13}$  was not successful, as 15 is not an element in  $\mathbb{F}_{13}$ , so we increment the binary counter by 1 and try again:

```

sage: try_hash('1110010000', '1')                     494
(3, 1)                                                 495

```

With this try, we found a hash into  $\mathbb{F}_{13}$ . However, this point is not guaranteed to define a curve point. To see that, we insert  $x = 3$  into the right side of the Short Weierstrass equation of

the Tiny-jubjub curve, and compute  $3^3 + 8 \cdot 3 + 8 = 7$ . However, 7 is not a quadratic residue in  $\mathbb{F}_{13}$ , since  $7^{\frac{13-1}{2}} = 7^6 = 12 = -1$ . This means that the field element 7 is not suitable as the  $x$ -coordinate of any curve point. We therefore have to increment the counter another time:

```
sage: try_hash('1110010000', '10') 496
(12, 1) 497
```

Since  $12^3 + 8 \cdot 12 + 8 = 12$ , and we have  $\sqrt{12} = \{5, 8\}$ , we finally found the valid  $x$ -coordinate  $x = 12$  for a curve point hash. Now, since the auxiliary bit of this hash is 1, we choose the larger root  $y = 8$  as the  $y$  coordinate and get the following hash which is a valid curve point on the Tiny-jubjub curve:

$$H_{TJJ_{13}}(\langle 1, 1, 1, 0, 0, 0, 0, 0 \rangle) = (12, 8)$$

In order to project this onto the “large” prime-order subgroup, we have to do cofactor clearing, that is, we have to multiply the point with the cofactor 4. Using sage we get

```
sage: P = TJJ_13(12, 8) 498
sage: (4*P).xy() 499
(8, 8) 500
```

This implies that hashing the binary string  $\langle 1, 1, 1, 0, 0, 0, 0, 0 \rangle$  onto the large prime order subgroup  $TJJ_{13}[5]$  gives the hash value  $(8, 8)$  as a result.

$$H_{TJJ_{13}[5]}(\langle 1, 1, 1, 0, 0, 0, 0, 0 \rangle) = (8, 8)$$

*Exercise 85.* Use our definition of the *try\_hash* algorithm to implement a hash function  $H_{TJJ_{13}[5]} : \{0, 1\}^* \rightarrow TJJ_{13}(\mathbb{F}_{13})[5]$  that maps binary strings of arbitrary length onto the 5-torsion group of  $TJJ_{13}(\mathbb{F}_{13})$ .

*Exercise 86.* Implement a cryptographic hash function  $H_{secp256k1} : \{0, 1\}^* \rightarrow secp256k1$  that maps binary strings of arbitrary length onto the elliptic curve *secp256k1*.

## 5.6 Constructing elliptic curves

Cryptographically secure elliptic curves like *secp256k1* [72] have been known for quite some time. Given the latest advancements in cryptography, however, it is often necessary to design and instantiate elliptic curves from scratch that satisfy certain very specific properties.

For example, in the context of SNARK development, it became necessary to design elliptic curves that can be efficiently implemented inside of a so-called algebraic circuit in order to enable primitives like elliptic curve signature schemes in a zero-knowledge proof. Such a curve is given by the Baby-jubjub curve as defined in Bellés-Muñoz et al. [2021], and we have paralleled its definition by introducing the Tiny-jubjub curve from example 71. As we have seen, those curves are instances of so-called Twisted Edwards curves, and as such have easy to implement addition laws that work without branching. However, we introduced the Tiny-jubjub curve out of thin air, as we just gave the curve parameters without explaining how we came up with them.

Another requirement in the context of many so-called **pairing-based zero-knowledge proofing systems** is the existence of a suitable, pairing-friendly curve with a specified security level and a low embedding degree as defined in 5.40. Famous examples are the BLS<sub>12</sub> and the NMT curves.

The major goal of this section is to explain the most important method of designing elliptic curves with predefined properties from scratch, called the **Complex Multiplication Method** (cf. chapter 6 of Silverman and Tate [1994]). We will apply this method in section 5.6.4 to synthesize a particular BLS6 curve, which is one of the most insecure curves, that is particular well suited to serve as the main curve to build our pen-and-paper SNARKs on. As we will see, this curve has a “large” prime factor subgroup of order 13, which implies that we can use our Tiny-jubjub curve to implement certain elliptic curve cryptographic primitives in circuits over that BLS6 curve.

Before we introduce the Complex Multiplication Method, we have to explain a few properties of elliptic curves that are of key importance in understanding that method.

### 5.6.1 The Trace of Frobenius

To understand the Complex Multiplication Method of elliptic curves, we have to define the so-called **trace** of an elliptic curve first.

We know that elliptic curves are cyclic groups of finite order. Therefore, an interesting question is whether it is possible to estimate the number of elements that this curve contains. Since an affine Short Weierstrass curve consists of pairs  $(x,y)$  of elements from a finite field  $\mathbb{F}_q$  plus the point at infinity, and the field  $\mathbb{F}_q$  contains  $q$  elements, the number of curve points cannot be arbitrarily large, since it can contain at most  $q^2 + 1$  many elements.

There is however, a more precise estimation, usually called the **Hasse bound**. To understand it, let  $E(\mathbb{F}_q)$  be an affine Short Weierstrass curve over a finite field  $\mathbb{F}_q$  of order  $q$ , and let  $|E(\mathbb{F}_q)|$  be the order of the curve. Then there is an integer  $t \in \mathbb{Z}$ , called the **trace of Frobenius** of the curve, such that  $|t| \leq 2\sqrt{q}$  and the following equation holds:

$$|E(\mathbb{F}_q)| = q + 1 - t \quad (5.50)$$

A positive trace, therefore, implies that the curve contains no more points than the underlying field, whereas a non-negative trace means that the curve contains more points. However, the estimation  $|t| \leq 2\sqrt{q}$  implies that the difference is not very large in either direction, and the number of elements in an elliptic curve is always approximately in the same order of magnitude as the size of the curve’s base field.

*Example 101.* Consider the elliptic curve  $E_{1,1}(\mathbb{F}_5)$  from example 70. We know that it contains 9 curve points. Since the order of  $\mathbb{F}_5$  is 5, we compute the trace of  $E_{1,1}(\mathbb{F}_5)$  to be  $t = -3$ , since the Hasse bound is given by the following equation:

$$9 = 5 + 1 - (-3)$$

Indeed, we have  $|t| \leq 2\sqrt{q}$ , since  $\sqrt{5} > 2$  and  $|-3| = 3 \leq 4 = 2 \cdot 2 < 2 \cdot \sqrt{5}$ .

*Example 102.* To compute the trace of the Tiny-jubjub curve, recall from example 71 that the order of  $TJJ_{13}$  is 20. Since the order of  $\mathbb{F}_{13}$  is 13, we can therefore use the Hasse bound and compute the trace as  $t = -6$ :

$$20 = 13 + 1 - (-6) \quad (5.51)$$

Again, we have  $|t| \leq 2\sqrt{q}$ , since  $\sqrt{13} > 3$  and  $|-6| = 6 = 2 \cdot 3 < 2 \cdot \sqrt{13}$ .

*Example 103.* To compute the trace of `secp256k1`, recall from example 72 that this curve is defined over a prime field with  $p$  elements, and that the order of that group is given by  $r$ :

$$\begin{aligned} p &= 115792089237316195423570985008687907853269984665640564039457584007908834671663 \\ r &= 115792089237316195423570985008687907852837564279074904382605163141518161494337 \end{aligned}$$

Using the Hasse bound  $r = p + 1 - t$ , we therefore compute  $t = p + 1 - r$ , which gives the trace of curve `secp256k1` as follows:

$$t = 432420386565659656852420866390673177327$$

As we can see, `secp256k1` contains less elements than its underlying field. However, the difference is tiny, since the order of `secp256k1` is in the same order of magnitude as the order of the underlying field. Compared to  $p$  and  $r$ , the integer  $t$  is tiny.

```
sage: p = 1157920892373161954235709850086879078532699846656405 501
      64039457584007908834671663
sage: r = 1157920892373161954235709850086879078528375642790749 502
      04382605163141518161494337
sage: t = p + 1 - r 503
sage: t.nbits() 504
129 505
sage: abs(RR(t)) <= 2*sqrt(RR(p)) 506
True 507
```

*Exercise 87.* Consider the curve `alt_bn128` from example 73. Write a Sage program that computes the trace of Frobenius for `alt_bn128`. Does the curve contain more or less elements than its base field  $\mathbb{F}_p$ ?

## 5.6.2 The $j$ -invariant

As we have seen in 5.1.1.1, two elliptic curves  $E_1(\mathbb{F})$  defined by  $y^2 = x^3 + ax + b$  and  $E_2(\mathbb{F})$  defined by  $y^2 + a'x + b'$  are strictly isomorphic if and only if there is a quadratic residue  $d \in \mathbb{F}$  such that  $a' = ad^2$  and  $b' = bd^3$ .

There is, however, a more general way to classify elliptic curves over finite fields  $\mathbb{F}_q$ , based on the so-called  **$j$ -invariant** of an elliptic curve with  $j(E(\mathbb{F}_q)) \in \mathbb{F}_q$ , as defined below:

$$j(E(\mathbb{F}_q)) = 1728 \cdot \frac{4 \cdot a^3}{4 \cdot a^3 + 27 \cdot b^2} \pmod{q} \quad (5.52)$$

A detailed description of the  $j$ -invariant is beyond the scope of this book. For our present purposes, it is sufficient to note that the  $j$ -invariant is an important tool to classify elliptic curves and it is needed in the Complex Multiplication Method to decide on an actual curve instantiation that implements abstractly chosen properties.

*Example 104.* Consider the elliptic curve  $E_{1,1}(\mathbb{F}_5)$  from example 70. We compute its  $j$ -invariant as follows:

$$\begin{aligned} j(E_{1,1}(\mathbb{F}_5)) &= 1728 \cdot \frac{4 \cdot 1^3}{4 \cdot 1^3 + 27 \cdot 1^2} \pmod{5} \\ &= 3 \frac{4}{4+2} \\ &= 3 \cdot 4 \\ &= 2 \end{aligned}$$



*Example 105.* Consider the elliptic curve  $TJJ\_13$  from example 71. We compute its  $j$ -invariant as follows:

$$\begin{aligned}
 j(TJJ\_13) &= 1728 \cdot \frac{4 \cdot 8^3}{4 \cdot 8^3 + 27 \cdot 8^2} \pmod{13} \\
 &= 12 \cdot \frac{4 \cdot 5}{4 \cdot 5 + 1 \cdot 12} \\
 &= 12 \cdot \frac{7}{7 + 12} \\
 &= 12 \cdot 7 \cdot 6^{-1} \\
 &= 2 \cdot 7 \\
 &= 1
 \end{aligned}$$

*Example 106.* Consider `secp256k1` from example 72. We compute its  $j$ -invariant using Sage:

```

sage: p = 1157920892373161954235709850086879078532699846656405 508
      64039457584007908834671663
sage: F = GF(p) 509
sage: j = F(1728) * ( (F(4) * F(0) ^3) / (F(4) * F(0) ^3 + F(27) * F(7) ^2) ) 510
sage: j == F(0) 511
True 512

```

*Exercise 88.* Consider the curve `alt_bn128` from example 73. Write a Sage program that computes the  $j$ -invariant for `alt_bn128`.

### 5.6.3 The Complex Multiplication Method

As we have seen in the previous sections, elliptic curves have various defining properties, like their order, their prime factors, the embedding degree, or the order of the base field. The **Complex Multiplication Method** (CM) provides a practical way of constructing elliptic curves with pre-defined restrictions on the order of the curve and the base field.<sup>6</sup>

The Complex Multiplication Method starts by choosing a base field  $\mathbb{F}_q$  of the curve  $E(\mathbb{F}_q)$  we want to construct such that  $q = p^m$  for some prime number  $p$ , and  $m \in \mathbb{N}$ . We assume  $p > 3$  to simplify things in what follows.

Next, the trace of Frobenius  $t \in \mathbb{Z}$  of the curve is chosen such that  $q$  and  $t$  are coprime, that is,  $\gcd(q, t) = 1$  holds true and  $|t| \leq 2\sqrt{q}$ . The choice of  $t$  also defines the curve's order  $r$ , since  $r = p + 1 - t$  by the Hasse bound (5.50), so choosing  $t$  will determine the large order subgroup as well as all small cofactors. The resulting  $r$  must be such that the curve meets the application's security requirements.

Note that the choice of  $p$  and  $t$  also determines the embedding degree  $k$  of any prime-order subgroup of the curve, since  $k$  is defined as the smallest number such that the prime order  $n$  divides the number  $p^k - 1$ .

In order for the Complex Multiplication Method to work, neither  $q$  nor  $t$  can be arbitrary, but must be chosen in such a way that two additional integers  $D \in \mathbb{Z}$  and  $v \in \mathbb{Z}$  exist and the following conditions hold:

<sup>6</sup>A detailed explanation of the complex multiplication method and its derivation can be found, for example, in Grechnikov [2012].

$$\begin{aligned}
D &< 0 \\
(D = 0 \text{ or } D = 1) &\pmod{4} \\
4q &= t^2 + |D|v^2
\end{aligned} \tag{5.53}$$

If such numbers exist, we call  $D$  the **CM-discriminant**, and we know that we can construct a curve  $E(\mathbb{F}_q)$  over a finite field  $\mathbb{F}_q$  such that the order of the curve is  $|E(\mathbb{F}_q)| = q + 1 - t$ . In this case, it is the goal of the Complex Multiplication Method to actually construct such a curve, that is finding the parameters  $a$  and  $b$  from  $\mathbb{F}_q$  in the defining Weierstrass equation such that the curve has the desired order  $r$ .

Equation 5.53 has an infinite number of solutions and much research has been done to compute solution sets which result in elliptic curves with desired properties. A common approach is to fix the CM-discriminant and to define  $q, t$  and  $v$  as functions of a parameter  $x$ , such that the values  $q(x), t(x)$  and  $v(x)$  give a solution to 5.53 for every parameter  $x$ . In fact many of those families are known under names like BLS Barreto et al. [2002] or NMT Miyaji et al. [2001] curves, indicating that the base field order  $q$  as well as the trace of Frobenius  $t$  of each member in such a family of curves are computed in similar ways. This is an approach taken for example in Freeman et al. [2006] to compute pairing friendly elliptic curves.

*Example 107 (BLS6 curves).* To give a better understanding of how parameterized solution sets of equation 5.53 give rise to families of elliptic curves, we will look at a parametrization that was found by the authors Barreto, Lynn and Scott in 2002 Barreto et al. [2002]. Their approach gives rise to pairing friendly elliptic curves of various embedding degrees and in particular to curves of embedding degree 6 with CM-discriminant  $D = -3$ . Members of those families are usually called BLS6 curves for short.

To be more precise, let the polynomials  $t, q \in \mathbb{Q}[x]$  be defined as  $t(x) = x + 1$  and  $q(x) = \frac{1}{3}(x-1)^2(x^2 - x + 1) + x$ . Then the following set defines a solution set to equation 5.53 for  $D = -3$  and  $v = \sqrt{(4q - t^2)/3}$ :

$$PARAM(BLS6) = \{t(x), q(x) \mid x \in \mathbb{N}_0 \text{ and } q(x) \in \mathbb{N}_0\} \tag{5.54}$$

Assuming that proper parameters  $q, t, D$  and  $v$  are found, we have to compute the so-called **Hilbert class polynomial**  $H_D \in \mathbb{Z}[x]$  of the CM-discriminant  $D$ , which is a polynomial with integer coefficients. To do so, we first have to compute the following set:

$$\begin{aligned}
S(D) = \{(A, B, C) \mid A, B, C \in \mathbb{Z}, D = B^2 - 4AC, \gcd(A, B, C) = 1, \\
|B| \leq A \leq \sqrt{\frac{|D|}{3}}, A \leq C, \text{ if } B < 0 \text{ then } |B| < A < C\}
\end{aligned} \tag{5.55}$$

One way to compute this set is to first compute the integer  $A_{max} = \text{Floor}(\sqrt{\frac{|D|}{3}})$ , then loop through all the integers  $0 \leq A \leq A_{max}$ , as well as through all the integers  $-A \leq B \leq A$  and check if there is an integer  $C$  that satisfies the equation  $D = B^2 - 4AC$  and the rest of the requirements from 5.55.

To compute the Hilbert class polynomial, the so-called  **$j$ -function** is needed, which is a complex function defined on the upper half  $\mathbb{H}$  of the complex plane  $\mathbb{C}$ , usually written as follows:

$$j: \mathbb{H} \rightarrow \mathbb{C} \tag{5.56}$$



we compute the  $q$ -modulus of each coefficient  $\tilde{a}_j = a_j \bmod p$ , which yields the **projected Hilbert class polynomial** as follows:

$$H_{D,p}(x) = \tilde{a}_m x^m + \tilde{a}_{m-1} x^{m-1} + \dots + \tilde{a}_1 x + \tilde{a}_0$$

We then search for roots of  $H_{D,p}$ , since every root  $j_0$  of  $H_{D,p}$  defines a family of elliptic curves over  $\mathbb{F}_q$ , which all have a  $j$ -invariant 5.56 equal to  $j_0$ . We can pick any root, since all of them define an elliptic curve. However, some of the curves with the correct  $j$ -invariant might have an order different from the one we initially decided on. Therefore, we need a way to decide on a curve with the correct order.

To compute a curve with the correct order, we have to distinguish a few different cases based on our choice of the root  $j_0 \in \mathbb{F}_q$  and of the CM-discriminant  $D \in \mathbb{Z}$ . If  $j_0 \neq 0$  or  $j_0 \neq 1728 \bmod q$ , we compute  $c_1 = \frac{j_0}{(1728 \bmod q) - j_0} \in \mathbb{F}_q$ , then we chose some arbitrary quadratic non-residue  $c_2 \in \mathbb{F}_q$ , and some arbitrary cubic non-residue  $c_3 \in \mathbb{F}_q$ .

The following list is guaranteed to define a curve with the correct order  $r = q + 1 - t$  for the fields order  $q$  and the trace of Frobenius  $t$  we initially decided on:

- Case  $j_0 \neq 0$  and  $j_0 \neq 1728 \bmod q$ . A curve with the correct order is defined by one of the following equations:

$$y^2 = x^3 + 3c_1 x + 2c_1 \quad \text{or} \quad y^2 = x^3 + 3c_1 c_2^2 x + 2c_1 c_2^3 \quad (5.58)$$

- Case  $j_0 = 0$  and  $D \neq -3$ . A curve with the correct order is defined by one of the following equations:

$$y^2 = x^3 + 1 \quad \text{or} \quad y^2 = x^3 + c_2^3 \quad (5.59)$$

- Case  $j_0 = 0$  and  $D = -3$ . A curve with the correct order is defined by one of the following equations:

$$\begin{aligned} y^2 = x^3 + 1 \quad \text{or} \quad y^2 = x^3 + c_2^3 \quad \text{or} \\ y^2 = x^3 + c_3^2 \quad \text{or} \quad y^2 = c_3^2 c_2^3 \quad \text{or} \\ y^2 = x^3 + c_3^{-2} \quad \text{or} \quad y^2 = x^3 + c_3^{-2} c_2^3 \end{aligned}$$

- Case  $j_0 = 1728 \bmod q$  and  $D \neq -4$ . A curve with the correct order is defined by one of the following equations:

$$y^2 = x^3 + x \quad \text{or} \quad y^2 = x^3 + c_2^2 x \quad (5.60)$$

- Case  $j_0 = 1728 \bmod q$  and  $D = -4$ . A curve with the correct order is defined by one of the following equations:

$$\begin{aligned} y^2 = x^3 + x \quad \text{or} \quad y^2 = x^3 + c_2 x \quad \text{or} \\ y^2 = x^3 + c_2^2 x \quad \text{or} \quad y^2 = x^3 + c_2^3 x \end{aligned}$$

To decide the proper defining Short Weierstrass equation, we therefore have to compute the order of any of the potential curves above, and then choose the one that fits our initial requirements.

To summarize, using the Complex Multiplication Method, it is possible to synthesize elliptic curves with predefined order over predefined base fields from scratch. However, the curves that

are constructed this way are just some representatives of a larger class of curves, all of which have the same order. Therefore, in real-world applications, it is sometimes more advantageous to choose a different representative from that class. To do so recall from 5.1.1.1 that any curve defined by the Short Weierstrass equation  $y^2 = x^3 + ax + b$  is isomorphic to a curve of the form  $y^2 = x^3 + ad^4x + bd^6$  for some invertible field element  $d \in \mathbb{F}_q^*$ .

In order to find a suitable representative (e.g. with small parameters  $a$  and  $b$ ), the curve designer might choose an invertible field element  $d$  such that the transformed curve has small parameters.

*Example 108.* Consider curve  $E_{1,1}(\mathbb{F}_5)$  from example 70. We want to use the Complex Multiplication Method to derive that curve from scratch. Since  $E_{1,1}(\mathbb{F}_5)$  is a curve of order  $r = 9$  over the prime field of order  $q = 5$ , we know from example 101 that its trace of Frobenius is  $t = -3$ , which also shows that  $q$  and  $t$  are coprime.

We then have to find parameters  $D, v \in \mathbb{Z}$  such that the criteria in 5.53 hold. We get the following:

$$\begin{aligned} 4q &= t^2 + |D|v^2 && \Rightarrow \\ 20 &= (-3)^2 + |D|v^2 && \Leftrightarrow \\ 11 &= |D|v^2 \end{aligned}$$

Now, since 11 is a prime number, the only solution is  $|D| = 11$  and  $v = 1$  here. With  $D = -11$  and the Euclidean division of  $-11$  by 4 being  $-11 = -3 \cdot 4 + 1$ , we have  $-11 \bmod 4 = 1$ , which shows that  $D = -11$  is a proper choice.

In the next step, we have to compute the Hilbert class polynomial  $H_{-11}$ . To do so, we first have to find the set  $S(D)$ . To compute that set, observe that, since  $\sqrt{\frac{|D|}{3}} \approx 1.915 < 2$ , we know from  $A \leq \sqrt{\frac{|D|}{3}}$  and  $A \in \mathbb{Z}$  as well as  $0 \leq |B| \leq A$  that  $A$  must be either 0 or 1.

For  $A = 0$ , we know  $B = 0$  from the constraint  $|B| \leq A$ . However, in this case, there could be no  $C$  satisfying  $-11 = B^2 - 4AC$ . So we try  $A = 1$  and deduce  $B \in \{-1, 0, 1\}$  from the constraint  $|B| \leq A$ . The case  $B = -1$  can be excluded, since then  $B < 0$  has to imply  $|B| < A$ . The case  $B = 0$  can also be excluded, as there cannot be an integer  $C$  with  $-11 = -4C$ , since 11 is a prime number.

This leaves the case  $B = 1$ , and we compute  $C = 3$  from the equation  $-11 = 1^2 - 4C$ , which gives the solution  $(A, B, C) = (1, 1, 3)$ . Hence:

$$S(D) = \{(1, 1, 3)\}$$

With the set  $S(D)$  at hand, we can compute the Hilbert class polynomial of  $D = -11$ . To do so, we have to insert the term  $\frac{-1 + \sqrt{-11}}{2 \cdot 1}$  into the  $j$ -function. To do so, first observe that  $\sqrt{-11} = i\sqrt{11}$ , where  $i$  is the imaginary unit, defined by  $i^2 = -1$ . Using this, we use Sage to compute the  $j$ -invariant and get the following:

$$H_{-11}(x) = x - j\left(\frac{-1 + i\sqrt{11}}{2}\right) = x + 32768$$

As we can see, in this particular case, the Hilbert class polynomial is a linear function with a single integer coefficient. In the next step, we have to project it onto a polynomial from  $\mathbb{F}_5[x]$  by reducing the coefficients 1 and 32768 modulo 5. We get  $32768 \bmod 5 = 3$ , so the projected Hilbert class polynomial is

$$H_{-11,5}(x) = x + 3$$

As we can see, the only root of this polynomial is  $j = 2$ , since  $H_{-11,5}(2) = 2 + 3 = 0$ . We therefore have a situation with  $j \neq 0$  and  $j \neq 3 = 1728 \pmod{5}$ , which tells us that we have to consider the first case in 5.6.3 and compute the parameter  $c_1$ , where in our case division is done in modular 5 arithmetic:

$$c_1 = \frac{2}{1728 \pmod{5} - 2} = \frac{2}{3 - 2} = 2 \quad (5.61)$$

In order to decide the correct equation from the first case in 5.6.3, we have to check if the curve  $E(\mathbb{F}_5)$  defined by the Short Weierstrass equation  $y^2 = x^3 + 3 \cdot c_1 x + 2 \cdot c_1 = x^3 + x + 4$  has the correct order. We use Sage, and find that the order is indeed 9, so it is a curve with the required parameters. Thus, we have successfully constructed the curve with the desired properties.

Comparing our constructed curve  $y^2 = x^3 + x + 4$  to the definition of  $E_{1,1}(\mathbb{F}_5)$  from example 70, we see that the defining equations are different. However, since both curves are of the same order, we know from 5.1.1.1 that they are isomorphic. In fact we can use 5.1.1.1 and the quadratic residue  $4 \in \mathbb{F}_5$ , to transform the curve defined by  $y^2 = x^3 + x + 4$  into the curve  $y^2 = x^3 + 4^2 + 4 \cdot 4^3$  which gives the defining equation of  $E_{1,1}(\mathbb{F}_5)$ :

$$y^2 = x^3 + x + 1$$

Thus, using the Complex Multiplication Method, we were able to derive a curve with specific properties from scratch.

*Example 109.* Consider the Tiny-jubjub curve  $TJJ_{13}$  from example 71. We want to use the Complex Multiplication Method to derive that curve from scratch. We know from example 71 that  $TJJ_{13}$  is a curve of order  $r = 20$  over the prime field of order  $q = 13$  and we know from example 102 that its trace of Frobenius is  $t = -6$ . This shows that  $q$  and  $t$  are coprime.

In order to apply the Complex Multiplication Method we have to find parameters  $D, v \in \mathbb{Z}$  such that 5.53 holds. We get the following:

$$\begin{aligned} 4q &= t^2 + |D|v^2 && \Rightarrow \\ 4 \cdot 13 &= (-6)^2 + |D|v^2 && \Rightarrow \\ 52 &= 36 + |D|v^2 && \Leftrightarrow \\ 16 &= |D|v^2 \end{aligned}$$

This equation has four solutions for  $(D, v)$ , namely  $(-4, \pm 2)$  and  $(-16, \pm 1)$ . Looking at the first two solution, we show in exercise 89 that  $D = -4$  implies  $j = 1728$ , and from 5.6.3 we know that in this case the constructed curve is defined by a Short Weierstrass equation 5.1 that has a vanishing parameter  $b = 0$ . We can therefore conclude that  $D = -4$  will not help us reconstructing  $TJJ_{13}$ , since  $D = -4$  will produce curves of order 20, but all of those curves have  $b = 0$ .

We therefore consider the third and fourth solution for  $D = -16$ . In the next step, we have to compute the Hilbert class polynomial  $H_{-16}$ . To do so, we first have to find the set  $S(D)$ . To compute that set, observe that since  $\sqrt{\frac{|-16|}{3}} \approx 2.31 < 3$ , we know from  $A \leq \sqrt{\frac{|-16|}{3}}$  and  $A \in \mathbb{Z}$  with  $0 \leq |B| \leq A$ , that  $A$  must be in the range  $0..2$ . So we loop through all possible values of  $A$  and through all possible values of  $B$  under the constraints  $|B| \leq A$ , and if  $B < 0$  then  $|B| < A$ . Then we compute potential  $C$ 's from the equation  $-16 = B^2 - 4AC$ . We get the following two solutions for  $S(D)$ :

$$S(D) = \{(1, 0, 4), (2, 0, 2)\}$$

With the set  $S(D)$  at hand, we can compute the Hilbert class polynomial of  $D = -16$ . We can use Sage to compute the  $j$ -invariant and get the following:

$$\begin{aligned} H_{-16}(x) &= \left( x - j \left( \frac{i\sqrt{16}}{2} \right) \right) \left( x - j \left( \frac{i\sqrt{16}}{4} \right) \right) \\ &= (x - 287496)(x - 1728) \end{aligned}$$

As we can see, in this particular case, the Hilbert class polynomial is a quadratic function with two integer coefficients. In the next step, we have to project it onto a polynomial over  $\mathbb{F}_{13}$  by computing the modular 13 remainder of the coefficients 287496 and 1728. We get  $287496 \bmod 13 = 1$  and  $1728 \bmod 13 = 12$ , which means that the projected Hilbert class polynomial is as follows:

$$H_{-11,5}(x) = (x - 1)(x - 12) = (x + 12)(x + 1)$$

This is considered a polynomial from  $\mathbb{F}_{13}[x]$ . Thus, we have two roots, namely  $j = 1$  and  $j = 12$ . We already know that  $j = 12$  is the wrong root to construct the Tiny-jubjub curve, since  $1728 \bmod 13 = 12$ , and that case is not compatible with a curve with  $b \neq 0$ . So we choose  $j = 1$ .

Another way to decide the proper root is to compute the  $j$ -invariant of the Tiny-jubjub curve. We get the following:

$$\begin{aligned} j(TJJ_{13}) &= 12 \frac{4 \cdot 8^3}{4 \cdot 8^3 + 1 \cdot 8^2} \\ &= 12 \frac{4 \cdot 5}{4 \cdot 5 + 12} \\ &= 12 \frac{7}{7 + 12} \\ &= 12 \frac{7}{7 - 1} \\ &= 1 \end{aligned}$$

This is equal to the root  $j = 1$  of the Hilbert class polynomial  $H_{-16,13}$  as expected. We therefore have a situation with  $j \neq 0$  and  $j \neq 1728$ , which tells us that we have to consider the first case in 5.6.3 and compute the parameter  $c_1$ , where in our case division is done in modular 13 arithmetic:

$$c_1 = \frac{1}{12 - 1} = \frac{1}{11} = 6$$

In order to decide the correct equation from the first case in 5.6.3, we have to check if the curve  $E(\mathbb{F}_{13})$  defined by the Short Weierstrass equation  $y^2 = x^3 + 3 \cdot 6x + 2 \cdot 6 = x^3 + 5x + 12$  has the correct order. We use Sage and find that the order is 8 not 20 as expected, which implies that the trace of this curve is 6, not  $-6$ . So we have to consider the second equation from the first case in 5.6.3, and choose some quadratic non-residue  $c_2 \in \mathbb{F}_{13}$ . We choose  $c_2 = 5$  and compute the Short Weierstrass equation  $y^2 = x^3 + 5c_2^2x + 12c_2^3$  as follows:

$$y^2 = x^3 + 8x + 5$$

We use Sage and find that the order is 20, which is indeed the correct one. Comparing our constructed curve  $y^2 = x^3 + 8x + 5$  to the definition of  $TJJ_{13}$  from example 71, we see that the defining equations are different. However, since both curves are of the same order, we know from 5.1.1.1 that they are isomorphic.

In fact we can use 5.1.1.1 and the quadratic residue  $12 \in \mathbb{F}_{13}$ , to transform the curve defined by  $y^2 = x^3 + 8x + 5$  into the curve  $y^2 = x^3 + 12^2 \cdot 8 + 5 \cdot 12^3$  which gives the following:

$$y^2 = x^3 + 8x + 8$$

This is the Tiny-jubjub curve that we used extensively throughout this book. So using the Complex Multiplication Method, we were able to derive a curve with specific properties from scratch.

*Example 110.* To consider a real-world example, we want to use the Complex Multiplication Method in combination with Sage to compute secp256k1 from scratch. So based on example 72, we decide to compute an elliptic curve over a prime field  $\mathbb{F}_p$  of order  $r$  for the following security parameters:

```
p = 115792089237316195423570985008687907853269984665640564039457584007908834671663
r = 115792089237316195423570985008687907852837564279074904382605163141518161494337
```

According to example 103, this gives the following trace of Frobenius for any curve isomorphic to secp256k1:

```
t = 432420386565659656852420866390673177327
```

We also decide that we want a curve of the form  $y^2 = x^3 + b$ , that is, we want the parameter  $a$  to be zero. Table 5.6.3 then implies that the  $j$ -invariant of our curve must be zero.

In a first step, we have to find a CM-discriminant  $D$  and some integer  $v$  such that the equation  $4p = t^2 + |D|v^2$  is satisfied. Since we aim for a vanishing  $j$ -invariant, the first thing to try is  $D = -3$ . In this case, we can compute  $v^2 = (4p - t^2)/|D|$ , and if  $v^2$  happens to be an integer that has a square root  $v$ , we are done. Invoking Sage we compute as follows:

```
sage: D = -3 532
sage: p = 1157920892373161954235709850086879078532699846656405 533
      64039457584007908834671663
sage: r = 1157920892373161954235709850086879078528375642790749 534
      04382605163141518161494337
sage: t = p+1-r 535
sage: v_sqr = (4*p - t^2)/abs(D) 536
sage: v_sqr.is_integer() 537
True 538
sage: v = sqrt(v_sqr) 539
sage: v.is_integer() 540
True 541
sage: 4*p == t^2 + abs(D)*v^2 542
True 543
sage: v 544
303414439467246543595250775667605759171 545
```

The pair  $(D, v) = (-3, 303414439467246543595250775667605759171)$  does indeed solve the equation, which tells us that there is a curve of order  $r$  over a prime field of order  $p$ , defined by a Short Weierstrass equation  $y^2 = x^3 + b$  for some  $b \in \mathbb{F}_p$ . Now we need to compute  $b$ .

For  $D = -3$ , we show in exercise 89 that the associated Hilbert class polynomial is given by  $H_{-3}(x) = x$ , which gives the projected Hilbert class polynomial as  $H_{-3,p} = x$  and the  $j$ -invariant of our curve is guaranteed to be  $j = 0$ . Now, looking at 5.6.3, we see that there are 6 possible



cases to construct a curve with the correct order  $r$ . In order to construct the curves in question, we have to choose some arbitrary quadratic and cubic non-residue. So we loop through  $\mathbb{F}_p$  to find them, invoking Sage:

```

sage: F = GF(p) 546
sage: for c2 in F: 547
.....:     try: # quadratic residue 548
.....:         _ = c2.nth_root(2) 549
.....:     except ValueError: # quadratic non-residue 550
.....:         break 551
sage: c2 552
3 553
sage: for c3 in F: 554
.....:     try: 555
.....:         _ = c3.nth_root(3) 556
.....:     except ValueError: 557
.....:         break 558
sage: c3 559
2 560

```

We found the quadratic non-residue  $c_2 = 3$  and the cubic non-residue  $c_3 = 2$ . Using those numbers, we check the six cases against the the expected order  $r$  of the curve we want to synthesize:

```

sage: C1 = EllipticCurve(F, [0, 1]) 561
sage: C1.order() == r 562
False 563
sage: C2 = EllipticCurve(F, [0, c2^3]) 564
sage: C2.order() == r 565
False 566
sage: C3 = EllipticCurve(F, [0, c3^2]) 567
sage: C3.order() == r 568
False 569
sage: C4 = EllipticCurve(F, [0, c3^2*c2^3]) 570
sage: C4.order() == r 571
False 572
sage: C5 = EllipticCurve(F, [0, c3^(-2)]) 573
sage: C5.order() == r 574
False 575
sage: C6 = EllipticCurve(F, [0, c3^(-2)*c2^3]) 576
sage: C6.order() == r 577
True 578

```

As expected, we found an elliptic curve of the correct order  $r$  over a prime field of size  $p$ . In principle, we are done, as we have found a curve with the same basic properties as `secp256k1`. However, the curve is defined by the following equation, which uses a very large parameter  $b_1$ , and so it might perform too slowly in certain algorithms and is not very convenient for humans to handle.

$$y^2 = x^3 + 86844066927987146567678238756515930889952488499230423029593188005931626003754$$

It might therefore be advantageous to find an isomorphic curve with the smallest possible parameter  $b_2$ . In order to find such a  $b_2$ , we can use 5.1.1.1 and choose an invertible, quadratic residue  $d$  such that  $b_2 = b_1 \cdot d^3$  is as small as possible. To do so, we rewrite the last equation into the following form:

$$d = \sqrt[3]{\frac{b_2}{b_1}}$$

Then we use Sage to loop through values  $b_2 \in \mathbb{F}_p$  until it finds some number such that the quotient  $\frac{b_2}{b_1}$  has a cube root  $d$  and this cube root itself is a quadratic residue.

```

sage: b1=F(868440669279871465676782387565159308899524884992304 579
      23029593188005931626003754)
sage: for b2 in F: 580
.....:     if b2 == 0: continue 581
.....:     try: 582
.....:         d = (b2/b1).nth_root(3) 583
.....:         _ = d.nth_root(2) # test 584
.....:     except ValueError: continue 585
.....:     break # found it 586
sage: b2 587
7 588

```

Indeed, the smallest possible value is  $b_2 = 7$  and the defining Short Weierstrass equation of a curve over  $\mathbb{F}_p$  with prime order  $r$  is  $y^2 = x^3 + 7$ , which we might call `secp256k1`. As we have just seen, the Complex Multiplication Method is powerful enough to derive cryptographically secure curves like `secp256k1` from scratch.

*Exercise 89.* Show that the Hilbert class polynomials for the CM-discriminants  $D = -3$  and  $D = -4$  are given by  $H_{-3,q}(x) = x$  and  $H_{-4,q}(x) = x - (1728 \bmod q)$ .

*Exercise 90.* Use the complex multiplication method to construct an elliptic curve of order 7 over the prime field  $\mathbb{F}_{13}$ .

*Exercise 91.* Use the complex multiplication method to compute all isomorphism classes of all elliptic curves of order 7 over the prime field  $\mathbb{F}_{13}$ .

*Exercise 92.* Consider the prime modulus  $p$  of curve `alt_bn128` from example 73 and its trace  $t$  from exercise 92. Use the complex multiplication method to synthesize an elliptic curve over  $F_p$  that is isomorphic to `alt_bn128` and compute an explicit isomorphism between these two curves.

### 5.6.4 The `BLS6_6` pen-and-paper curve

In this paragraph, we summarize our understanding of elliptic curves to compute the main pen-and-paper example for the rest of the book. To do so, we want to use the Complex Multiplication Method to derive a pairing-friendly elliptic curve that has similar properties to curves that are used in actual cryptographic protocols. However, we design the curve specifically to be useful in pen-and-paper examples, which mostly means that the curve should contain only a few points so that we are able to derive exhaustive addition and pairing tables. Specifically, we use construction 6.6 in Freeman et al. [2010].

A well-understood family of pairing-friendly curves is given by the set of BLS curves. As explained in example 107, in Barreto et al. [2002] the authors Barreto, Lynn and Scott found a

parameterized solution set to equation 5.53, which gives rise to pairing friendly elliptic curves of various embedding degrees with CM-discriminant  $D = -3$ .

Most real world BLS curves have an embedding degree of 12, however this degree is too large for a convenient pen-and-paper curve. Fortunately BLS curves of embedding degrees  $k$  that satisfies  $k \equiv 0 \pmod{6}$ , are computed in a similar fashion and since the smallest embedding degree  $k$  that satisfies this congruency is  $k = 6$ , we aim for a BLS curve of embedding degree 6 as our main pen-and-paper example. We call such a curve a *BLS6* curve, since it is a convention to note the embedding degree right after a descriptor that gives a hint of how the curve was constructed.

### 5.6.4.1 The Construction

To apply the Complex Multiplication Method 5.6.3, recall that it starts with a choice of a base field  $\mathbb{F}_{p^m}$ , as well as a trace of Frobenius  $t$  and a CM-discriminant  $D$  of the curve. In the case of *BLS* curves, the parameter  $m$  is chosen to be 1, which means that the curves are defined over prime fields. In addition the CM-discriminant is chosen to be  $D = -3$ , which implies that the curve is defined by the equation  $y^2 = x^3 + b$  for some  $b \in \mathbb{F}_p$ .

As shown in example 107, for *BLS6* curves, the relevant parameters  $p$  and  $t$  are themselves parameterized by the following functions:

$$\begin{aligned} t(x) &= x + 1 \\ p(x) &= \frac{1}{3}(x-1)^2(x^2 - x + 1) + x \end{aligned} \tag{5.62}$$

Here  $x \in \mathbb{N}_0$  is a parameter that the designer has to choose in such a way that the evaluation of  $p$  and  $t$  at the point  $x$  gives integers that have the proper size to meet the security requirements of the curve to be synthesized. It is guaranteed that there is an integer  $v \in \mathbb{Z}$ , such that equation 5.53 hold for the CM-discriminant  $D = -3$ , which implies that the Complex Multiplication Method can be used to compute a field element  $b \in \mathbb{F}_p$  such that the elliptic curve  $y^2 = x^3 + b$  has order  $r = p + 1 - t$ , CM-discriminant  $D = -3$  and embedding degree  $k = 6$ .

In order to design the smallest *BLS6* curve, we therefore have to find a parameter  $x$  such that  $t(x)$  and  $p(x)$  are the smallest natural numbers that satisfy  $p(x) > 3$ .<sup>7</sup>

We therefore initiate the design process of our *BLS6* curve by inserting small values for  $x$  into the defining polynomials  $t$  and  $q$ . We get the following results:

$$\begin{aligned} x = 1 & \quad (t(x), p(x)) & \quad (2, 1) \\ x = 2 & \quad (t(x), p(x)) & \quad (3, 3) \\ x = 3 & \quad (t(x), p(x)) & \quad (4, \frac{37}{3}) \\ x = 4 & \quad (t(x), p(x)) & \quad (5, 43) \end{aligned}$$

Since  $p(1) = 1$  is not a prime number, the first  $x$  that gives a proper curve is  $x = 2$ . However, such a curve would be defined over a base field of characteristic 3, and we would rather like to avoid that, since we only defined elliptic curves over fields of characteristics larger than 3 in this book. We therefore find  $x = 4$ , which defines a curve over the prime field of characteristic 43 that has a trace of Frobenius  $t = 5$ .

Since the prime field  $\mathbb{F}_{43}$  has 43 elements and 43's binary representation is  $43_2 = 101011$ , which consists of 6 digits, the name of our pen-and-paper curve should be *BLS6\_6*, since its is

<sup>7</sup>The smallest BLS curve will also be the most insecure BLS curve. However, since our goal with this curve is ease of pen-and-paper computation rather than security, it fits the purposes of this book.

common to name a BLS curve by its embedding degree and the bit-length of the modulus in the base field. We call  $BLS6_6$  the **moon-math-curve**.

Based on 5.50, we know that the Hasse bound implies that  $BLS6_6$  will contain exactly 39 elements. Since the prime factorization of 39 is  $39 = 3 \cdot 13$ , we have a “large” prime factor group of size 13, and a small cofactor of 3. Fortunately, a subgroup of order 13 is well suited for our purposes, as 13 elements can be easily handled in the associated addition, scalar multiplication and pairing tables in a pen-and-paper style.

We can check that the embedding degree is indeed 6 as expected, since  $k = 6$  is the smallest number  $k$  such that  $r = 13$  divides  $43^k - 1$ .

```
sage: k= 0 589
sage: for k in range(1,42): # Fermat's little theorem 590
.....:     if (43^k-1)%13 == 0: 591
.....:         break 592
sage: k 593
6 594
```

To see that equation 5.53 indeed has a solution for the parameters  $D = -3$ ,  $p = 43$  and  $t = 5$  as expected, we compute as follows:

$$\begin{aligned} 4p &= t^2 + |D|v^2 && \Rightarrow \\ 4 \cdot 43 &= 5^2 + 3 \cdot v^2 && \Leftrightarrow \\ 172 &= 25 + 3v^2 && \Leftrightarrow \\ 49 &= v^2 && \Leftarrow \\ v &= \pm 7 \end{aligned}$$

This implies that we can use the Complex Multiplication Method as described in 5.6.3 in order to compute the defining equation  $y^2 = x^3 + ax + b$  of  $BLS6_6$ .

Since  $D = -3$  we know from exercise 89 that the associated Hilbert class polynomial is given by  $H_{-3,43}(x) = x$ , which implies that the  $j$ -invariant of  $BLS6_6$  is given by  $j(BLS6_6) = 0$ . We therefore have to look at the third case in table 5.6.3 to deduce  $a = 0$  and derive parameter  $b$ . To apply 5.6.3 and decide the proper equation for  $j_0 = 0$  and  $D = -3$ , we have to choose some arbitrary quadratic non-residue  $c_2$  and cubic non-residue  $c_3$  in  $\mathbb{F}_{43}$ . We choose  $c_2 = 5$  and  $c_3 = 36$ . We check these with Sage:

```
sage: F43 = GF(43) 595
sage: c2 = F43(5) 596
.....: try: # quadratic residue 597
.....:     c2.nth_root(2) 598
.....: except ValueError: # quadratic non-residue 599
.....:     print("OK") 600
sage: c3 =F43(36) 601
.....: try: 602
.....:     c3.nth_root(3) 603
.....: except ValueError: 604
.....:     print("OK") 605
```

Using those numbers we check the six possible cases from 5.6.3 against the expected order 39 of the curve we want to synthesize:

```

sage: BLS61 = EllipticCurve(F43, [0, 1])           606
sage: BLS61.order() == 39                         607
False                                             608
sage: BLS62 = EllipticCurve(F43, [0, c2^3])      609
sage: BLS62.order() == 39                         610
False                                             611
sage: BLS63 = EllipticCurve(F43, [0, c3^2])      612
sage: BLS63.order() == 39                         613
True                                              614
sage: BLS64 = EllipticCurve(F43, [0, c3^2*c2^3]) 615
sage: BLS64.order() == 39                         616
False                                             617
sage: BLS65 = EllipticCurve(F43, [0, c3^(-2)])   618
sage: BLS65.order() == 39                         619
False                                             620
sage: BLS66 = EllipticCurve(F43, [0, c3^(-2)*c2^3]) 621
sage: BLS66.order() == 39                         622
False                                             623
sage: BLS6 = BLS63 # our BLS6 curve in the book 624

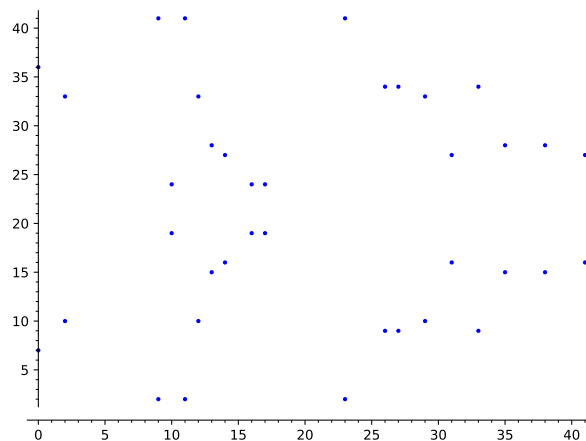
```

As expected, we found an elliptic curve of the correct order 39 over a prime field of size 43. Since  $c_3^2 = 36^2 = 6$  in  $\mathbb{F}_{43}$  the curve  $BLS6\_6$  is defined by the following equation:

$$BLS6\_6 := \{(x, y) \mid y^2 = x^3 + 6 \text{ for all } x, y \in \mathbb{F}_{43}\} \quad (5.63)$$

Since there are other choices for  $c_3$  there are other choices for  $b$ , such as  $b = 10$  or  $b = 23$  too. However due to 5.1.1.1 all these curves are isomorphic, and hence represent the same curve in different ways. We decided on  $b = 6$  for no particular reason.

Since  $BLS6\_6$  contains 39 points only, it is possible to use Sage in order to give a visual impression of the curve:



As we can see, our curve has some desirable properties: it does not contain self-inverse points, that is, points with  $y = 0$ . It follows that the addition law can be optimized, since the branch for those cases can be eliminated.

### 5.6.4.2 The large prime order subgroup

Summarizing the previous procedure, we have used the method of Barreto, Lynn and Scott to construct a pairing-friendly elliptic curve of embedding degree 6. However, in order to do elliptic curve cryptography on this curve, note that, since the order of  $BLS6\_6$  is 39, its group is not of prime order. We therefore have to find a suitable subgroup as our main target. Since  $39 = 13 \cdot 3$ , we know that the curve must contain a “large” prime-order group of size 13 called  $BLS6\_6(\mathbb{F}_{43})[13]$  according to definition 5.42 and a small cofactor group of order 3. We use the following notation for the large prime order group

$$\mathbb{G}_1[13] := BLS6\_6(\mathbb{F}_{43})[13] \quad (5.64)$$

One way to compute this group is to find a generator. We can achieve this by choosing an arbitrary element of  $BLS6\_6$  that is not the point at infinity, and then multiply that point with the cofactor 3 of 13. If the result is not the point at infinity, it will be a generator of  $\mathbb{G}_1[13]$ . If it is the point at infinity we have to choose a different element.

In order to construct such an element from  $BLS6\_6$  in a pen-and-paper style, we can choose some  $x \in \mathbb{F}_{43}$  and see if there is some  $y \in \mathbb{F}_{43}$  that satisfies the defining Short Weierstrass equation  $y^2 = x^3 + 6$ . We choose  $x = 9$ , and check that  $y = 2$  satisfies the curve equation for  $x$ :

$$\begin{aligned} y^2 &= x^3 + 6 && \Rightarrow \\ 2^2 &= 9^3 + 6 && \Leftrightarrow \\ 4 &= 4 && \end{aligned}$$

This implies that  $P = (9, 2)$  is a point on  $BLS6\_6$ . To see if we can project this point onto a generator of the large prime order group  $\mathbb{G}_1[13]$ , we have to multiply  $P$  by the cofactor 3, that is, we have to compute  $[3](9, 2)$ . We get  $[3](9, 2) = (13, 15)$  (See exercise 93). Since this is not the point at infinity, we know that  $(13, 15)$  is a generator of  $\mathbb{G}_1[13]$ , which we will use throughout this book:

$$g_1 = (13, 15) \quad (5.65)$$

Since  $g_1$  is a generator, recall from 4.1 that there is an exponential map from the field  $\mathbb{F}_{13}$  to  $\mathbb{G}_1[13]$  with respect to this generator, which generates the group in logarithmic order:

$$[\cdot]_{(13,15)} : \mathbb{F}_{13} \rightarrow \mathbb{G}_1[13] ; x \mapsto [x](13, 15)$$

We can use this function to construct the subgroup  $\mathbb{G}_1[13]$  by repeatedly adding the generator to itself. Using Sage, we get the following:

```
sage: P1 = BLS6(9, 2) 625
sage: g1 = 3*P1 # generator 626
sage: g1.xy() 627
(13, 15) 628
sage: G1_13 = [ x*g1 for x in range(0, 13) ] 629
```

Repeatedly adding a generator to itself generates small groups in logarithmic order with respect to the generator as explained in 5.1.2.2. This gives the following representation:

$$\mathbb{G}_1[13] = \{(13, 15) \rightarrow (33, 34) \rightarrow (38, 15) \rightarrow (35, 28) \rightarrow (26, 34) \rightarrow (27, 34) \rightarrow (27, 9) \rightarrow (26, 9) \rightarrow (35, 15) \rightarrow (38, 28) \rightarrow (33, 9) \rightarrow (13, 28) \rightarrow \mathcal{O}\} \quad (5.66)$$

Having a logarithmic order of this group is helpful in pen-and-paper computations. To see that consider the following example:

$$\begin{aligned} (27,34) \oplus (33,9) &= [6](13,15) \oplus [11](13,15) \\ &= [6+11](13,15) \\ &= [4](13,15) \\ &= (35,28) \end{aligned}$$

As this computation shows 5.66 is really all we need to do computations in  $\mathbb{G}_1[13]$  efficiently.  $\mathbb{G}_1[13]$  is therefore suitable as a pen-and-paper cryptographic group. However, out of convenience, the following picture lists the entire addition table of the group  $BLS6\_6$ , as it might be useful in some pen-and-paper computations, that are not restricted to the subgroup  $\mathbb{G}_1$ :

$\oplus$	$\mathcal{O}$	(13,15)	(33,34)	(38,15)	(35,28)	(26,34)	(27,34)	(27,9)	(26,9)	(35,15)	(38,28)	(33,9)	(13,28)
$\mathcal{O}$	$\mathcal{O}$	(13,15)	(33,34)	(38,15)	(35,28)	(26,34)	(27,34)	(27,9)	(26,9)	(35,15)	(38,28)	(33,9)	(13,28)
(13,15)	(13,15)	(33,34)	(38,15)	(35,28)	(26,34)	(27,34)	(27,9)	(26,9)	(35,15)	(38,28)	(33,9)	(13,28)	$\mathcal{O}$
(33,34)	(33,34)	(38,15)	(35,28)	(26,34)	(27,34)	(27,9)	(26,9)	(35,15)	(38,28)	(33,9)	(13,28)	$\mathcal{O}$	(13,15)
(38,15)	(38,15)	(35,28)	(26,34)	(27,34)	(27,9)	(26,9)	(35,15)	(38,28)	(33,9)	(13,28)	$\mathcal{O}$	(13,15)	(33,34)
(35,28)	(35,28)	(26,34)	(27,34)	(27,9)	(26,9)	(35,15)	(38,28)	(33,9)	(13,28)	$\mathcal{O}$	(13,15)	(33,34)	(38,15)
(26,34)	(26,34)	(27,34)	(27,9)	(26,9)	(35,15)	(38,28)	(33,9)	(13,28)	$\mathcal{O}$	(13,15)	(33,34)	(38,15)	(35,28)
(27,34)	(27,34)	(27,9)	(26,9)	(35,15)	(38,28)	(33,9)	(13,28)	$\mathcal{O}$	(13,15)	(33,34)	(38,15)	(35,28)	(26,34)
(27,9)	(27,9)	(26,9)	(35,15)	(38,28)	(33,9)	(13,28)	$\mathcal{O}$	(13,15)	(33,34)	(38,15)	(35,28)	(26,34)	(27,34)
(26,9)	(26,9)	(35,15)	(38,28)	(33,9)	(13,28)	$\mathcal{O}$	(13,15)	(33,34)	(38,15)	(35,28)	(26,34)	(27,34)	(27,9)
(35,15)	(35,15)	(38,28)	(33,9)	(13,28)	$\mathcal{O}$	(13,15)	(33,34)	(38,15)	(35,28)	(26,34)	(27,34)	(27,9)	(26,9)
(38,28)	(38,28)	(33,9)	(13,28)	$\mathcal{O}$	(13,15)	(33,34)	(38,15)	(35,28)	(26,34)	(27,34)	(27,9)	(26,9)	(35,15)
(33,9)	(33,9)	(13,28)	$\mathcal{O}$	(13,15)	(33,34)	(38,15)	(35,28)	(26,34)	(27,34)	(27,9)	(26,9)	(35,15)	(38,28)
(13,28)	(13,28)	$\mathcal{O}$	(13,15)	(33,34)	(38,15)	(35,28)	(26,34)	(27,34)	(27,9)	(26,9)	(35,15)	(38,28)	(33,9)

*Exercise 93.* Consider the point  $P = (9,2)$ . Show that  $P$  is a point on the  $BLS6\_6$  curve and compute the scalar product  $[3]P$ .

*Exercise 94.* Compute the following expressions:  $-(26,34)$ ,  $(26,9) \oplus (13,28)$ ,  $(35,15) \oplus \mathcal{O}$  and  $(27,9) \ominus (33,9)$ .

### 5.6.4.3 Pairing groups

We know that  $BLS6\_6$  is a pairing-friendly curve by design, since it has a small embedding degree  $k = 6$ . It is therefore possible to compute Weil pairings efficiently. However, in order to do so, we have to decide the pairing groups  $\mathbb{G}_1$  and  $\mathbb{G}_2$  as defined in section 5.4.3.

Since  $BLS6\_6$  has two non-trivial subgroups, it would be possible to use any of them as the  $n$ -torsion group. However, in cryptography, the only secure choice is to use the large prime-order subgroup, which in our case is  $\mathbb{G}_1[13]$  as presented in 5.66. We therefore decide to consider the 13-torsion for the Weil pairing and therefore use  $\mathbb{G}_1[13]$  as its left argument.

In order to construct the domain for the right argument, we need to construct  $\mathbb{G}_2[13]$ , which, according to the general theory 5.4.3, should be defined by those elements  $P$  of the full 13-torsion group  $BLS6\_6[13]$  that are mapped to  $43 \cdot P$  under the Frobenius endomorphism 5.45.

To compute  $\mathbb{G}_2[13]$ , we therefore have to find the full 13-torsion group first. To do so, we use the technique from 5.4.2, which tells us that the full 13-torsion can be found in the curve extension  $BLS6\_6(\mathbb{F}_{436})$  5.4.1.1 of  $BLS6\_6$  over the extension field  $\mathbb{F}_{436}$  4.3.3, since the embedding degree of  $BLS6\_6$  is 6. We therefore have to consider the following elliptic curve:

$$BLS6\_6(\mathbb{F}_{43^6}) := \{(x, y) \mid y^2 = x^3 + 6 \text{ for all } x, y \in \mathbb{F}_{43^6}\} \quad (5.67)$$

In order to compute this curve, we have to construct  $\mathbb{F}_{43^6}$ , a field that contains more than 6 billion elements. We use the general construction of prime field extensions from 4.3.3 and start by choosing a non-reducible polynomial of degree 6 from the ring of polynomials  $\mathbb{F}_{43}[t]$ . We choose  $p(t) = t^6 + 6$ . In order to visually distinguish polynomials with coefficients in  $\mathbb{F}_{43}$  from elements in  $\mathbb{F}_{43^6}$ , we use the symbol  $v$  exclusively to represent the indeterminate in  $\mathbb{F}_{43^6}$ . Using Sage, we get the following:

```
sage: F43 = GF(43) 630
sage: F43t.<t> = F43[] 631
sage: p = F43t(t^6+6) 632
sage: p.is_irreducible() 633
True 634
sage: F43_6.<v> = GF(43^6, name='v', modulus=p) 635
sage: F43_6.order() 636
6321363049 637
```

Recall from 4.47 that elements  $x \in \mathbb{F}_{43^6}$  can be seen as polynomials  $a_0 + a_1v + a_2v^2 + \dots + a_5v^5$  with the usual addition of polynomials and multiplication modulo  $v^6 + 6$ .

In order to compute  $\mathbb{G}_2[13]$ , we first have to extend  $BLS6\_6$  to  $\mathbb{F}_{43^6}$ , that is, we keep the defining equation, but expand the domain from  $\mathbb{F}_{43}$  to  $\mathbb{F}_{43^6}$ . After that, we have to find at least one element  $P$  from that curve that is not the point at infinity, is in the full 13-torsion and satisfies the identity  $\pi(P) = [43]P$ , where  $\pi$  is the Frobenius endomorphism 5.45. We can then use this element as our generator of  $\mathbb{G}_2[13]$  and construct all other elements by repeatedly adding the generator to itself.

Since  $BLS6(\mathbb{F}_{43^6})$  contains approximately as many elements as  $\mathbb{F}_{43^6}$  by the Hasse bound 5.50, it's not a good strategy to simply loop through all elements. Fortunately, Sage has a way to loop through elements from the torsion group directly:

```
sage: ExtBLS6 = EllipticCurve(F43_6, [0, 6]) # curve extension 638
sage: INF = ExtBLS6(0) # point at infinity 639
sage: for P in INF.division_points(13): # full 13-torsion 640
.....:     # pI(P) == [q]P 641
.....:     if P.order() == 13: # exclude point at infinity 642
.....:         piP = ExtBLS6([a.frobenius() for a in P]) 643
.....:         qP = 43*P 644
.....:         if piP == qP: 645
.....:             break 646
sage: P.xy() 647
(7*v^2, 16*v^3) 648
```

We found an element  $P$  from the full 13-torsion with the property  $\pi(P) = [43]P$ , which implies that it is an element of  $\mathbb{G}_2[13]$ . As  $\mathbb{G}_2[13]$  is cyclic and of prime order, this element must be a generator:

$$g_2 = (7v^2, 16v^3) \quad (5.68)$$

We can use this generator to compute  $\mathbb{G}_2[13]$  in logarithmic order with respect to  $g_2$ . Using Sage we get the following:

```
sage: g2 = ExtBLS6(7*v^2, 16*v^3) 649
```



```
sage: G2_13 = [ x*g2 for x in range(0,13) ]
```

Repeatedly adding a generator to itself generates small groups in logarithmic order with respect to the generator as explained in 5.1.2.2. We therefore get the following presentation:

$$\begin{aligned} \mathbb{G}_2 = \{ & (7v^2, 16v^3) \rightarrow (10v^2, 28v^3) \rightarrow (42v^2, 16v^3) \rightarrow (37v^2, 27v^3) \rightarrow \\ & (16v^2, 28v^3) \rightarrow (17v^2, 28v^3) \rightarrow (17v^2, 15v^3) \rightarrow (16v^2, 15v^3) \rightarrow \\ & (37v^2, 16v^3) \rightarrow (42v^2, 27v^3) \rightarrow (10v^2, 15v^3) \rightarrow (7v^2, 27v^3) \rightarrow \mathcal{O} \} \end{aligned} \quad (5.69)$$

Again, having a logarithmic description of  $\mathbb{G}_2[13]$  is helpful in pen-and-paper computations, as it reduces complicated computation in the extended curve to modular 13 arithmetic, as in the following example:

$$\begin{aligned} (17v^2, 28v^3) \oplus (10v^2, 15v^2) &= [6](7v^2, 16v^3) \oplus [11](7v^2, 16v^3) \\ &= [6 + 11](7v^2, 16v^3) \\ &= [4](7v^2, 16v^3) \\ &= (37v^2, 27v^3) \end{aligned}$$

As this computation shows 5.69 is really all we need to do computations in  $\mathbb{G}_2[13]$  efficiently. The groups  $\mathbb{G}_1[13]$  and  $\mathbb{G}_2[13]$  are therefore suitable as pen-and-paper cryptographic pairing groups.

#### 5.6.4.4 The Weil pairing

In 5.6.4.3 we computed two different groups,  $\mathbb{G}_1[13]$  and  $\mathbb{G}_2[13]$ , which are subgroups of the full 13-torsion group of the extended moon-math-curve  $BLS6\_6(\mathbb{F}_{436})$ . As explained in 5.4.4, this implies that there is a Weil pairing

$$e(\cdot, \cdot) : \mathbb{G}_1[13] \times \mathbb{G}_2[13] \rightarrow \mathbb{F}_{436} \quad (5.70)$$

Since we know a logarithmic order 5.66 for  $\mathbb{G}_1[13]$  and a logarithmic order 5.69 for  $\mathbb{G}_2[13]$ , this Weil pairing is efficiently computable in pen-and-paper calculations, using the following identity as derived in exercise 42:

$$e([m]g_1, [n]g_2) = e(g_1, g_2)^{m \cdot n \bmod 13} \quad (5.71)$$

In many pairing based zero knowledge proving systems like 8.2, it is only necessary to show equality of various pairings and in pen-and-paper computations the exact value of  $e(g_1, g_2)$  is therefore not important. To see how this simplifies the calculation, assume that we want to prove the identity  $e((27, 34), (16v^2, 28v^3)) = e((26, 9), (17v^2, 15v^3))$ . In this case we can compute

$$\begin{aligned} e((27, 34), (16v^2, 28v^3)) &= e([6](13, 15), [5](7v^2, 16v^3)) \\ &= e((13, 15), (7v^2, 16v^3))^{6 \cdot 5} \\ &= e((13, 15), (7v^2, 16v^3))^4 \\ &= e((13, 15), (7v^2, 16v^3))^{8 \cdot 7} \\ &= e([8](13, 15), [7](7v^2, 16v^3)) \\ &= e((26, 9), (17v^2, 15v^3)) \end{aligned}$$

If the actual value of  $e(g_1, g_2)$  is needed, the Weil pairing can either be computed using equation 5.49 and execute Miller's algorithm 8 (Exercise 95), or Sage can be invoked:

```
sage: g1 = ExtBLS6([13, 15]) 651
sage: g2 = ExtBLS6([7*v^2, 16*v^3]) 652
sage: g1.weil_pairing(g2, 13) 653
5*v^5 + 16*v^4 + 16*v^3 + 15*v^2 + 3*v + 41 654
```

*Exercise 95.* Consider the extended  $BLS6\_6$  curve as defined in 5.67 and the two curve points  $g_1 = (13, 15)$  and  $g_2 = (7v^2, 16v^3)$ . Compute the Weil pairing  $e(g_1, g_2)$  using definition 5.49 and Miller's algorithm 8.

# Chapter 6

## Statements

As we have seen in the informal introduction, a SNARK is a succinct non-interactive argument of knowledge, where the knowledge-proof attests to the correctness of statements like “The prover knows the prime factorization of a given number” or “The prover knows the preimage to a given SHA2 digest value” and similar things. However, human-readable statements like these are imprecise and not very useful from a formal perspective.

In this chapter, we therefore look more closely at ways to formalize statements in mathematically rigorous ways, useful for SNARK development. We start by introducing formal languages as a way to define statements properly (section 6.1). For a detailed introduction of formal languages, see Moll et al. [2012], for example. We then look at algebraic circuits and Rank-1 Constraint Systems [R1CS] as two particularly useful ways to define statements in certain formal languages (section 6.2). Rank-1 Constraint Systems and algebraic circuits are introduced for example in appendix E of Ben-Sasson et al. [2013].

Proper statement design should be of high priority in the development of SNARKs, since unintended true statements can lead to potentially severe and almost undetectable security vulnerabilities in the applications of SNARKs.

### 6.1 Formal Languages

Formal languages provide the theoretical background in which statements can be formulated in a logically rigorous way, and where proving the correctness of any given statement can be realized by computing words in that language.

One might argue that the understanding of formal languages is not very important in SNARK development and associated statement design, but terms from that field of research are standard jargon in many papers on zero-knowledge proofs. We therefore believe that at least some introduction to formal languages and how they fit into the picture of SNARK development is beneficial, mostly to give developers a better intuition about where all this is located in the bigger picture of the logic landscape. In addition, formal languages give a better understanding of what a formal proof for a statement actually is.

Roughly speaking, a formal language (or just language for short) is a set of words. Words, in turn, are strings of letters taken from some alphabet, and formed according to some defining rules of the language.

To be more precise, let  $\Sigma$  be any set and  $\Sigma^*$  the set of all **strings** of finite length  $\langle x_1, \dots, x_n \rangle$  of elements  $x_j$  from  $\Sigma$  including the empty string  $\langle \rangle \in \Sigma^*$ . Then, a **language**  $L$ , in its most general definition, is a subset of the set of all finite strings  $\Sigma^*$ . In this context, the set  $\Sigma$  is called the **alphabet** of the language  $L$ , elements from  $\Sigma$  are called **letters**, and elements from  $L$  are

called **words**. If there are rules that specify which strings from  $\Sigma^*$  belong to the language and which don't, those rules are called the **grammar** of the language. If  $L_1$  and  $L_2$  are two formal languages over the same alphabet, we call  $L_1$  and  $L_2$  **equivalent** if they consist of the same set of words.<sup>1</sup>

*Example 111* (Alternating Binary strings). To consider a very basic formal language with an almost trivial grammar, consider the set of two letters, 0 and 1, as our alphabet  $\Sigma$ :

$$\Sigma = \{0, 1\}$$

In addition, we use a grammar stating that a proper word must consist of alternating binary letters of arbitrary length, including the empty string. The associated language  $L_{alt}$  is the set of all finite binary strings where a 1 must follow a 0 and vice versa. So, for example,  $\langle 1, 0, 1, 0, 1, 0, 1, 0, 1 \rangle \in L_{alt}$  is a word in this language, as is  $\langle 0 \rangle \in L_{alt}$  or the empty word  $\langle \rangle \in L_{alt}$ . However, the binary string  $\langle 1, 0, 1, 0, 1, 0, 1, 1, 1 \rangle \in \{0, 1\}^*$  is not a proper word, as it violates the grammar of  $L_{alt}$ , since the last 3 letters are all 1. Furthermore, the string  $\langle 0, A, 0, A, 0, A, 0 \rangle$  is not a proper word, as not all its letters are from the alphabet  $\Sigma$ .

### 6.1.1 Decision Functions

Our previous definition of formal languages is very general, and does not cover many subclasses of languages known in the literature. However, in the context of SNARK development, languages are commonly defined as **decision problems** where a so-called **deciding relation**  $R \subset \Sigma^*$  decides whether a given string  $x \in \Sigma^*$  is a word in the language or not. If  $x \in R$  then  $x$  is a word in the associated language  $L_R$ , and if  $x \notin R$  then it is not. The relation  $R$  therefore summarizes the grammar of language  $L_R$ .

Unfortunately, in some literature on proof systems,  $x \in R$  is often written as  $R(x)$ , which is misleading since, in general,  $R$  is not a function, but a relation in  $\Sigma^*$ . For the sake of clarity, we therefore adopt a different point of view and work with what we might call a **decision function** instead:

$$R : \Sigma^* \rightarrow \{true, false\} \quad (6.1)$$

Decision functions decide if a string  $x \in \Sigma^*$  is an element of a language or not. In case a decision function is given, the associated language itself can be written as the set of all strings that are decided by  $R$ :

$$L_R := \{x \in \Sigma^* \mid R(x) = true\} \quad (6.2)$$

In the context of formal languages and decision problems, a **statement**  $S$  is the claim that language  $L$  contains a word  $x$ , that is, a statement claims that there exists some  $x \in L$ . A constructive **proof** for statement  $S$  is given by some string  $P \in \Sigma^*$  and such a proof is **verified** by checking if  $R(P) = true$ . In this case,  $P$  is called an **instance** of the statement  $S$ .

*Example 112* (Alternating Binary strings). To consider a very basic formal language with a decision function, consider the language  $L_{alt}$  from example 111. Attempting to write the grammar of this language in a more formal way, we can define the following decision function:

$$R : \{0, 1\}^* \rightarrow \{true, false\}; \langle x_0, x_1, \dots, x_n \rangle \mapsto \begin{cases} true & x_{j-1} \neq x_j \text{ for all } 1 \leq j \leq n \\ false & \text{else} \end{cases}$$

<sup>1</sup>A more detailed explanation of this definition can be found for example in section 1.2 of Moll et al. [2012].

We can use this function to decide if a given binary string is a word in  $L_{alt}$  or not. Some examples are given below:

$$\begin{aligned} R(\langle 1, 0, 1 \rangle) &= true \\ R(\langle 0 \rangle) &= true \\ R(\langle \rangle) &= true \\ R(\langle 1, 1 \rangle) &= false \end{aligned}$$

Given language  $L_{alt}$ , it makes sense to claim the following statement: “There exists an alternating string.” One way to prove this statement constructively is by providing an actual instance, that is, providing an example of an alternating string like  $x = \langle 1, 0, 1 \rangle$ . Constructing the string  $\langle 1, 0, 1 \rangle$  therefore proves the statement “There exists an alternating string.”, because one can verify that  $R(\langle 1, 0, 1 \rangle) = true$ .

*Example 113 (Programming Language).* Programming languages are a very important class of formal languages. For these languages, the alphabet is usually (a subset) of the ASCII table, and the grammar is defined by the rules of the programming language’s compiler. Words, then, are properly written computer programs that the compiler accepts. The compiler can therefore be interpreted as the decision function.

To give an unusual example strange enough to highlight the point, consider the programming language Malbolge. This language was specifically designed to be almost impossible to use, and writing programs in this language is a difficult task. An interesting claim is therefore the statement: “There exists a computer program in Malbolge”. As it turned out, proving this statement constructively, that is, providing an example instance of such a program, is not an easy task: it took two years after the introduction of Malbolge to write a program that its compiler accepts. So, for two years, no one was able to prove the statement constructively.

To look at the high-level description of Malbolge more formally, we write  $L_{Malbolge}$  for the language that uses the ASCII table as its alphabet, and its words are strings of ASCII letters that the Malbolge compiler accepts. Proving the statement “There exists a computer program in Malbolge” is equivalent to the task of finding some word  $x \in L_{Malbolge}$ . The string in (6.3) below is an example of such a proof, as it is accepted by the Malbolge compiler, which compiles it to an executable binary that displays “Hello, World.”. In this example, the Malbolge compiler therefore serves as the verification process.

$$\begin{aligned} (= <'9876Z4321UT.-Q+*)M' \&\%\$H"! \} |Bzy? = | \{z\} KwZY44Eq0 / \{mlk** \\ hKs_dG5[m\_BA\{?-Y;;Vb'rR5431M\} /.zHGwEDCBA@98 \setminus 6543W10 /.R,+O < \end{aligned} \quad (6.3)$$

*Example 114 (The Empty Language).* To see that not every language has even a single word, consider the alphabet  $\Sigma = \mathbb{Z}_6$ , where  $\mathbb{Z}_6$  is the ring of modular 6 arithmetic as derived in example 11. Distinguishing the set  $\mathbb{Z}_6^*$  of all elements in modular 6 arithmetic that have multiplicative inverses from the set  $(\mathbb{Z}_6)^*$  of all finite strings over the alphabet  $\mathbb{Z}_6$ , we define the following decision function:

$$R_\emptyset : (\mathbb{Z}_6)^* \rightarrow \{true, false\}; \langle x_1, \dots, x_n \rangle \mapsto \begin{cases} true & n = 1 \text{ and } x \cdot x = 2 \\ false & \text{else} \end{cases} \quad (6.4)$$

We write  $L_\emptyset$  for the associated language. As we can see from the multiplication table of  $\mathbb{Z}_6$  in example 11, the ring  $\mathbb{Z}_6$  does not contain any element  $x$  such that  $x \cdot x = 2$ , which implies  $R_\emptyset(\langle x_1, \dots, x_n \rangle) = false$  for all strings  $\langle x_1, \dots, x_n \rangle \in \Sigma^*$ . The language therefore does not contain any words. Proving the statement “There exists a word in  $L_\emptyset$ ” constructively by providing an instance is therefore impossible: the verification will never check any string.

*Example 115 (3-Factorization).* We will use the following simple example repeatedly throughout this book. The task is to develop a SNARK that proves knowledge of three factors of an element from the finite field  $\mathbb{F}_{13}$ . There is nothing particularly useful about this example from an application point of view, however, it is the most simple example that gives rise to a non-trivial SNARK in some of the most common zero-knowledge proof systems.

Formalizing the high-level description, we use  $\Sigma := \mathbb{F}_{13}$  as the underlying alphabet of this problem and define the language  $L_{3.fac}$  to consist of those strings of field elements from  $\mathbb{F}_{13}$  that contain exactly 4 letters  $x_1, x_2, x_3, x_4$  which satisfy the equation  $x_1 \cdot x_2 \cdot x_3 = x_4$ .

So, for example, the string  $\langle 2, 12, 4, 5 \rangle$  is a word in  $L_{3.fac}$ , while neither  $\langle 2, 12, 11 \rangle$ , nor  $\langle 2, 12, 4, 7 \rangle$  nor  $\langle 2, 12, 7, UPS \rangle$  are words in  $L_{3.fac}$  as they don't satisfy the grammar or are not defined over the alphabet  $\mathbb{F}_{13}$ .

Distinguishing the set  $\mathbb{F}_{13}^*$  of all elements in the multiplicative group of  $\mathbb{F}_{13}$  from the set  $(\mathbb{F}_{13})^*$  of all finite strings over the alphabet  $\mathbb{F}_{13}$ , we can describe the language  $L_{3.fac}$  more formally by introducing a decision function:

$$R_{3.fac} : (\mathbb{F}_{13})^* \rightarrow \{true, false\}; \langle x_1, \dots, x_n \rangle \mapsto \begin{cases} true & n = 4 \text{ and } x_1 \cdot x_2 \cdot x_3 = x_4 \\ false & \text{else} \end{cases} \quad (6.5)$$

Having defined the language  $L_{3.fac}$ , it then makes sense to claim the statement “There is a word in  $L_{3.fac}$ ”. The way  $L_{3.fac}$  is designed, this statement is equivalent to the statement “There are four elements  $x_1, x_2, x_3, x_4$  from the finite field  $\mathbb{F}_{13}$  such that the equation  $x_1 \cdot x_2 \cdot x_3 = x_4$  holds.”

Proving the correctness of this statement constructively means to actually find some concrete field elements that satisfy the decision function  $R_{3.fac}$ , like  $x_1 = 2$ ,  $x_2 = 12$ ,  $x_3 = 4$  and  $x_4 = 5$ . The string  $\langle 2, 12, 4, 5 \rangle$  is therefore a constructive proof for the statement that  $L_{3.fac}$  contains words, and the computation  $R_{3.fac}(\langle 2, 12, 4, 5 \rangle) = true$  is a verification of that proof. In contrast, the string  $\langle 2, 12, 4, 7 \rangle$  is not a proof of the statement, since the check  $R_{3.fac}(\langle 2, 12, 4, 7 \rangle) = false$  does not verify the proof.

*Example 116 (Tiny-jubjub Membership).* In one of our main examples, we derive a SNARK that proves a pair  $(x, y)$  of field elements from  $\mathbb{F}_{13}$  to be a point on the tiny-jubjub curve in its twisted Edwards form as derived in example 5.36.

In the first step, we define a language such that points on the Tiny-jubjub curve are in 1:1 correspondence with words in that language.

Since the Tiny-jubjub curve is an elliptic curve over the field  $\mathbb{F}_{13}$ , we choose the alphabet  $\Sigma = \mathbb{F}_{13}$ . In this case, the set  $(\mathbb{F}_{13})^*$  consists of all finite strings of field elements from  $\mathbb{F}_{13}$ . To define the grammar, recall from (5.36) that a point on the Tiny-jubjub curve is a pair  $(x, y)$  of field elements such that  $3 \cdot x^2 + y^2 = 1 + 8 \cdot x^2 \cdot y^2$ . We can use this equation to derive the following decision function:

$$R_{tiny.jj} : (\mathbb{F}_{13})^* \rightarrow \{true, false\}; \langle x_1, \dots, x_n \rangle \mapsto \begin{cases} true & n = 2 \text{ and } 3 \cdot x_1^2 + x_2^2 = 1 + 8 \cdot x_1^2 \cdot x_2^2 \\ false & \text{else} \end{cases}$$

The associated language  $L_{tiny.jj}$  is then given as the set of all strings from  $(\mathbb{F}_{13})^*$  that are mapped onto *true* by  $R_{tiny.jj}$ :

$$L_{tiny.jj} = \{ \langle x_1, \dots, x_n \rangle \in (\mathbb{F}_{13})^* \mid R_{tiny.jj}(\langle x_1, \dots, x_n \rangle) = true \}$$

We can claim the statement “There is a word in  $L_{tiny.jj}$ ”. Because  $L_{tiny.jj}$  is defined by  $R_{tiny.jj}$ , this statement is equivalent to the statement “The Tiny-jubjub curve in its twisted Edwards form has a curve point.”

A constructive proof for this statement is a string  $\langle x, y \rangle$  of field elements from  $\mathbb{F}_{13}$  that satisfies the twisted Edwards equation. Example (5.36), therefore, implies that the string  $\langle 11, 6 \rangle$  is a constructive proof, and the computation  $R_{\text{tiny.jj}}(\langle 11, 6 \rangle) = \text{true}$  verifies the proof. In contrast, the string  $\langle 1, 1 \rangle$  is not a proof of the statement, since the computation  $R_{\text{tiny.jj}}(\langle 1, 1 \rangle) = \text{false}$  does not verify the proof.

*Exercise 96.* Define a decision function such that the associated language  $L_{\text{Exercise}_1}$  consists of all solutions to the equation  $5x + 4 = 28 + 2x$  over  $\mathbb{F}_{13}$ . Provide a constructive proof for the claim: “There exists a word in  $L_{\text{Exercise}_1}$ , and verify the proof.”

*Exercise 97.* Consider modular 6 arithmetic ( $\mathbb{Z}_6$ ) from example 11, the alphabet  $\Sigma = \mathbb{Z}_6$  and the following decision function:

$$R_{\text{example}_{11}} : \Sigma^* \rightarrow \{\text{true}, \text{false}\}; \langle x_1, \dots, x_n \rangle \mapsto \begin{cases} \text{true} & n = 1 \text{ and } 3 \cdot x_1 + 3 = 0 \\ \text{false} & \text{else} \end{cases}$$

Compute all words in the associated language  $L_{\text{example}_{11}}$ , provide a constructive proof for the statement “There exist a word in  $L_{\text{example}_{11}}$ ” and verify the proof.

### 6.1.2 Instance and Witness

As we have seen in the previous paragraph, statements provide membership claims in formal languages, and instances serve as constructive proofs for those claims. However, in the context of **zero-knowledge** proof systems, our notion of constructive proofs is refined in such a way that it is possible to hide parts of the proof instance and still be able to prove the statement. In this context, it is therefore necessary to split a proof into an unhidden, public part called the **instance** and a hidden, private part called a **witness**.

To account for this separation of a proof instance into an instance and a witness part, our previous definition of formal languages needs a refinement. Instead of a single alphabet, the refined definition considers two alphabets  $\Sigma_I$  and  $\Sigma_W$ , and a decision function defined as follows:

$$R : \Sigma_I^* \times \Sigma_W^* \rightarrow \{\text{true}, \text{false}\}; (i; w) \mapsto R(i; w) \quad (6.6)$$

Words are therefore strings  $(i; w) \in \Sigma_I^* \times \Sigma_W^*$  with  $R(i; w) = \text{true}$ . The refined definition differentiates between inputs  $i \in \Sigma_I$  and inputs  $w \in \Sigma_W$ . The input  $i$  is called an **instance** and the input  $w$  is called a **witness** of  $R$ .

If a decision function is given, the associated language is defined as the set of all strings from the underlying alphabets that are verified by the decision function:

$$L_R := \{(i; w) \in \Sigma_I^* \times \Sigma_W^* \mid R(i; w) = \text{true}\} \quad (6.7)$$

In this refined context, a **statement**  $S$  is a claim that, given an instance  $i \in \Sigma_I^*$ , there is a witness  $w \in \Sigma_W^*$  such that language  $L$  contains a word  $(i; w)$ . A constructive **proof** for statement  $S$  is given by some string  $P = (i; w) \in \Sigma_I^* \times \Sigma_W^*$ , and a proof is **verified** by  $R(P) = \text{true}$ .

At this point, it is important to note that, while constructive proofs in languages that distinguish between instance and witness (as in definition 6.7) don't look very different from constructive proofs in languages we have seen in section 6.1.1, given some instance, there are proof systems able to prove the statement (at least with high probability) without revealing anything about the witness, as we will see in chapter 8. In this sense, the witness is often called the **private input**, and the instance is called the **public input**.

It is worth understanding the difference between statements as defined in section 6.1.1 and the refined notion of statements from this section. While statements in the sense of the previous section can be seen as membership claims, statements in the refined definition can be seen as knowledge-claims, where a prover claims knowledge of a witness for a given instance.

*Example 117* (SHA256 – Knowledge of Preimage). One of the most common examples in the context of zero-knowledge proof systems is the **knowledge-of-a-preimage proof** for some cryptographic hash function like *SHA256*, where a publicly known *SHA256* digest value is given, and the task is to prove knowledge of a preimage for that digest under the *SHA256* function, without revealing that preimage.

To understand this problem in detail, we have to introduce a language able to describe the knowledge-of-preimage problem in such a way that the claim “Given digest  $i$ , there is a preimage  $w$  such that  $SHA256(w) = i$ ” becomes a statement in that language. Since *SHA256* is a function that maps binary strings of arbitrary length onto binary strings of length 256:

$$SHA256 : \{0, 1\}^* \rightarrow \{0, 1\}^{256}$$

Since we want to prove knowledge of preimages, we have to consider binary strings of size 256 as instances and binary strings of arbitrary length as witnesses.

An appropriate alphabet  $\Sigma_I$  for the set of all instances, and an appropriate alphabet  $\Sigma_W$  for the set of all witnesses is therefore given by the set  $\{0, 1\}$ . A proper decision function is given as follows:

$$R_{SHA256} : \{0, 1\}^* \times \{0, 1\}^* \rightarrow \{true, false\};$$

$$(i; w) \mapsto \begin{cases} true & |i| = 256, i = SHA256(w) \\ false & else \end{cases}$$

We write  $L_{SHA256}$  for the associated language, and note that it consists of words that are strings  $(i; w)$  such that the instance  $i$  is the *SHA256* image of the witness  $w$ .

Given some instance  $i \in \{0, 1\}^{256}$ , a statement in  $L_{SHA256}$  is the claim “Given digest  $i$ , there is a preimage  $w$  such that  $SHA256(w) = i$ ”, which is exactly what the knowledge-of-preimage problem is about. A constructive proof for this statement is therefore given by a preimage  $w$  to the digest  $i$  and proof verification is achieved by verifying that  $SHA256(w) = i$ .

*Example 118* (3-factorization). To give another intuition about the implication of refined languages, consider  $L_{3.fac}$  from example 115 again. As we have seen, a constructive proof in  $L_{3.fac}$  is given by 4 field elements  $x_1, x_2, x_3$  and  $x_4$  from  $\mathbb{F}_{13}$  such that the product of the first three elements is equal to the 4<sup>th</sup> element in modular 13 arithmetic.

Splitting words from  $L_{3.fac}$  into instance and witness parts, we can reformulate the problem and introduce different levels of knowledge-claims. For example, we could reformulate the membership statement of  $L_{3.fac}$  into a statement where all factors  $x_1, x_2, x_3$  are witnesses, and only the product  $x_4$  is the instance. A statement for this reformulation is then expressed by the claim: “Given an instance field element  $x_4$ , there are three witness factors of  $x_4$ ”. Assuming some instance  $x_4$ , a constructive proof for the associated knowledge claim is provided by any string  $(x_1, x_2, x_3)$  such that  $x_1 \cdot x_2 \cdot x_3 = x_4$ .

We can formalize this new language, which we might call  $L_{3.fac\_zk}$ , by defining the following decision function:

$$R_{3.fac\_zk} : (\mathbb{F}_{13})^* \times (\mathbb{F}_{13})^* \rightarrow \{true, false\};$$

$$(\langle i_1, \dots, i_n \rangle; \langle w_1, \dots, w_m \rangle) \mapsto \begin{cases} true & n = 1, m = 3, i_1 = w_1 \cdot w_2 \cdot w_3 \\ false & else \end{cases}$$



The associated language  $L_{3, fac\_zk}$  is defined by all strings from  $(\mathbb{F}_{13})^* \times (\mathbb{F}_{13})^*$  that are mapped onto *true* under the decision function  $R_{3, fac\_zk}$ .

Considering the distinction we made between the instance and the witness part in  $L_{3, fac\_zk}$ , one might ask why we chose the factors  $x_1, x_2$  and  $x_3$  to be the witness and the product  $x_4$  to be the instance rather than another combination? This was an arbitrary choice in the example. Every other combination of instance and witness would be equally valid. For example, it would be possible to declare all variables as witness or to declare all variables as instance. Actual choices are determined by the application only.

*Example 119 (The Tiny-jubjub Curve).* Consider the language  $L_{tiny, jj}$  from example 116. As we have seen, a constructive proof in  $L_{tiny, jj}$  is given by a pair  $(x_1, x_2)$  of field elements from  $\mathbb{F}_{13}$  such that the pair is a point of the Tiny-jubjub curve in its Edwards representation.

We look at a reasonable splitting of words from  $L_{tiny, jj}$  into instance and witness parts. The two obvious choices are to either choose both coordinates  $x_1$  as  $x_2$  as instance inputs, or to choose both coordinates  $x_1$  as  $x_2$  as witness inputs.

In case both coordinates are instances, we define the grammar of the associated language by introducing the following decision function:

$$R_{tiny, jj, 1} : (\mathbb{F}_{13})^* \times (\mathbb{F}_{13})^* \rightarrow \{true, false\};$$

$$(\langle I_1, \dots, I_n \rangle; \langle W_1, \dots, W_m \rangle) \mapsto \begin{cases} true & n = 2, m = 0 \text{ and } 3 \cdot I_1^2 + I_2^2 = 1 + 8 \cdot I_1^2 \cdot I_2^2 \\ false & \text{else} \end{cases}$$

The language  $L_{tiny, jj, 1}$  is defined as the set of all strings from  $(\mathbb{F}_{13})^* \times (\mathbb{F}_{13})^*$  that are mapped onto *true* by  $R_{tiny, jj, 1}$ .

In case both coordinates are witness inputs, we define the grammar of the associated refined language by introducing the following decision function:

$$R_{tiny, jj, zk} : (\mathbb{F}_{13})^* \times (\mathbb{F}_{13})^* \rightarrow \{true, false\};$$

$$(\langle I_1, \dots, I_n \rangle; \langle W_1, \dots, W_m \rangle) \mapsto \begin{cases} true & n = 0, m = m \text{ and } 3 \cdot W_1^2 + W_2^2 = 1 + 8 \cdot W_1^2 \cdot W_2^2 \\ false & \text{else} \end{cases}$$

The language  $L_{tiny, jj, zk}$  is defined as the set of all strings from  $(\mathbb{F}_{13})^* \times (\mathbb{F}_{13})^*$  that are mapped onto *true* by  $R_{tiny, jj, zk}$ .

*Exercise 98.* Consider the modular 6 arithmetic  $\mathbb{Z}_6$  from example 11 as the alphabets  $\Sigma_I$  and  $\Sigma_W$ , and the following decision function:

$$R_{linear} : \Sigma^* \times \Sigma^* \rightarrow \{true, false\};$$

$$(i; w) \mapsto \begin{cases} true & |i| = 3 \text{ and } |w| = 1 \text{ and } i_1 \cdot w_1 + i_2 = i_3 \\ false & \text{else} \end{cases}$$

Which of the following instances  $(i_1, i_2, i_3)$  has a proof of knowledge in  $L_{linear}$ ?

$$(3, 3, 0), \quad (2, 1, 0), \quad (4, 4, 2)$$

*Exercise 99 (Edwards Addition on Tiny-jubjub).* Consider the Tiny-jubjub curve together with its twisted Edwards addition law from example 71. Define an instance alphabet  $\Sigma_I$ , a witness alphabet  $\Sigma_W$ , and a decision function  $R_{add}$  with associated language  $L_{add}$  such that a string

$(i;w) \in \Sigma_I^* \times \Sigma_W^*$  is a word in  $L_{add}$  if and only if  $i$  is a pair of curve points on the Tiny-jubjub curve in Edwards form, and  $w$  is the sum of those curve points.

Choose some instance  $i \in \Sigma_I^*$ , provide a constructive proof for the statement “There is a witness  $w \in \Sigma_W^*$  such that  $(i;w)$  is a word in  $L_{add}$ ”, and verify that proof. Then find some instance  $i \in \Sigma_I^*$  such that  $i$  has no knowledge proof in  $L_{add}$ .

### 6.1.3 Modularity

From a developer’s perspective, it is often useful to construct complex statements and their representing languages from simple ones. In the context of zero-knowledge proof systems, those simple building blocks are often called **gadgets**, and gadget libraries usually contain representations of atomic types like booleans, integers, various hash functions, elliptic curve cryptography and much more (see chapter 7). In order to synthesize statements, developers then combine predefined gadgets into complex logic. We call the ability to combine statements into more complex statements **modularity**.

To understand the concept of modularity on the level of formal languages defined by decision functions, we need to look at the **intersection** of two languages, which exists whenever both languages are defined over the same alphabet. In this case, the intersection is a language that consists of strings which are words in both languages.

To be more precise, let  $L_1$  and  $L_2$  be two languages defined over the same instance and witness alphabets  $\Sigma_I$  and  $\Sigma_W$ . The intersection  $L_1 \cap L_2$  of  $L_1$  and  $L_2$  is defined as follows:

$$L_1 \cap L_2 := \{x \mid x \in L_1 \text{ and } x \in L_2\} \quad (6.8)$$

If both languages are defined by decision functions  $R_1$  and  $R_2$ , the following function is a decision function for the intersection language  $L_1 \cap L_2$ :

$$R_{L_1 \cap L_2} : \Sigma_I^* \times \Sigma_W^* \rightarrow \{true, false\}; (i, w) \mapsto R_1(i, w) \text{ and } R_2(i, w) \quad (6.9)$$

Thus, the intersection of two decision-function-based languages is also decision-function-based language. This is important from an implementation point of view: it allows us to construct complex decision functions, their languages and associated statements from simple building blocks. Given a publicly known instance  $I \in \Sigma_I^*$ , a statement in an intersection language claims knowledge of a witness that satisfies all relations simultaneously.

## 6.2 Statement Representations

As we have seen in the previous section, formal languages and their definitions by decision functions are a powerful tool to describe statements in a formally rigorous manner.

However, from the perspective of existing zero-knowledge proof systems, not all ways to actually represent decision functions are equally useful. Depending on the proof system, some are more suitable than others. In this section, we will describe two of the most common ways to represent decision functions and their statements.

### 6.2.1 Rank-1 Quadratic Constraint Systems

Although decision functions are expressible in various ways, many contemporary proving systems require the decision function to be expressed in terms of a system of quadratic equations over a finite field. This is true in particular for pairing-based proving systems like the ones

we describe in chapter 8, because in these cases it is possible to separate instance and witness and then check solutions to those equations “in the exponent” of pairing-friendly cryptographic groups.

In this section, we will have a closer look at a particular type of quadratic equations called **Rank-1 (quadratic) Constraint Systems (R1CS)**, which are a common standard in zero-knowledge proof systems (cf. appendix E of Ben-Sasson et al. [2013]). We will start with a general introduction to those constraint systems and then look at their relation to formal languages. Then we will look into a common way to compute solutions to those systems.

### 6.2.1.1 R1CS representation

To understand what **Rank-1 (quadratic) Constraint Systems (R1CS)** are in detail, let  $\mathbb{F}$  be a field,  $n, m$  and  $k \in \mathbb{N}$  three numbers and  $a_j^i, b_j^i$  and  $c_j^i \in \mathbb{F}$  constants from  $\mathbb{F}$  for every index  $0 \leq j \leq n+m$  and  $1 \leq i \leq k$ . Then a Rank-1 Constraint System is defined as the following set of  $k$  many equations:

*Definition 6.2.1.1 (Rank-1 (quadratic) Constraint System).*

$$\begin{aligned} (a_0^1 + \sum_{j=1}^n a_j^1 \cdot I_j + \sum_{j=1}^m a_{n+j}^1 \cdot W_j) \cdot (b_0^1 + \sum_{j=1}^n b_j^1 \cdot I_j + \sum_{j=1}^m b_{n+j}^1 \cdot W_j) &= c_0^1 + \sum_{j=1}^n c_j^1 \cdot I_j + \sum_{j=1}^m c_{n+j}^1 \cdot W_j \\ &\vdots \\ (a_0^k + \sum_{j=1}^n a_j^k \cdot I_j + \sum_{j=1}^m a_{n+j}^k \cdot W_j) \cdot (b_0^k + \sum_{j=1}^n b_j^k \cdot I_j + \sum_{j=1}^m b_{n+j}^k \cdot W_j) &= c_0^k + \sum_{j=1}^n c_j^k \cdot I_j + \sum_{j=1}^m c_{n+j}^k \cdot W_j \end{aligned} \quad (6.10)$$

In a Rank-1 Constraint System, the parameter  $k$  is called the **number of constraints**, and each equation is called a **constraint**. If a pair of strings of field elements ( $\langle I_1, \dots, I_n \rangle; \langle W_1, \dots, W_m \rangle$ ) satisfies these equations,  $\langle I_1, \dots, I_n \rangle$  is called an **instance** and  $\langle W_1, \dots, W_m \rangle$  is called a **witness** of the system.<sup>2</sup>

It can be shown that every bounded computation is expressible as a Rank-1 Constraint System. R1CS is therefore a universal model for bounded computations. We will derive some insights into common approaches of how to compile bounded computation into Rank-1 Constraint Systems in chapter 7.

Generally speaking, the idea of a Rank-1 Constraint System is to keep track of all the values that any variable can hold during a computation, and to bind the relationships among all those variables that are implied by the computation itself. Once relations between all steps of a computer program are constrained, program execution is then enforced to be computed in exactly in the expected way without any opportunity for deviations. In this sense, solutions to Rank-1 Constraint Systems are proofs of proper program execution.

*Example 120 (R1CS for 3-Factorization).* To provide a better intuition of Rank-1 Constraint Systems, consider the language  $L_{3, fac\_zk}$  from example 118 again. As we have seen,  $L_{3, fac\_zk}$  consists of words ( $\langle I_1 \rangle; \langle W_1, W_2, W_3 \rangle$ ) over the alphabet  $\mathbb{F}_{13}$  such that  $I_1 = W_1 \cdot W_2 \cdot W_3$ . We show how to rewrite the problem as a Rank-1 Constraint System.

<sup>2</sup>The presentation of Rank-1 Constraint Systems can be simplified using the notation of vectors and matrices, which abstracts over the indices. In fact, if  $x = (1, I, W) \in \mathbb{F}^{1+n+m}$  is a  $(n+m+1)$ -dimensional vector,  $A, B, C$  are  $(n+m+1) \times k$ -dimensional matrices and  $\odot$  is the Schur/Hadamard product, then a R1CS can be written as follows:

$$Ax \odot Bx = Cx$$

However, since we did not introduce vector spaces and matrix calculus in the book, we use 6.10 as the defining equation for Rank-1 Constraint Systems. We only highlighted the matrix notation because it is sometimes used in the literature.

Since RICS are systems of quadratic equations, expressions like  $W_1 \cdot W_2 \cdot W_3$ , which contain products of more than two factors (which are therefore not quadratic) have to be rewritten in a process often called **flattening**. To flatten the defining equation  $I_1 = W_1 \cdot W_2 \cdot W_3$  of  $L_{3, \text{fac\_zk}}$ , we introduce a new variable  $W_4$ , which captures two of the three multiplications in  $W_1 \cdot W_2 \cdot W_3$ . We get the following two constraints

$$W_1 \cdot W_2 = W_4 \quad \text{constraint 1}$$

$$W_4 \cdot W_3 = I_1 \quad \text{constraint 2}$$

Given some instance  $I_1$ , any solution  $(W_1, W_2, W_3, W_4)$  to this system of equations provides a solution to the original equation  $I_1 = W_1 \cdot W_2 \cdot W_3$  and vice versa. Both equations are therefore equivalent in the sense that solutions are in a 1:1 correspondence.

Looking at both equations from this constraint system, we see how each constraint enforces a step in the computation. Constraint 1 forces any computation to multiply the witnesses  $W_1$  and  $W_2$ ; otherwise, it would not be possible to compute the witness  $W_4$  first, which is needed to solve constraint 2. Witness  $W_4$  therefore expresses the constraining of an intermediate computational state.

At this point, one might ask why equation 1 constrains the system to compute  $W_1 \cdot W_2$  first. In order to compute  $W_1 \cdot W_2 \cdot W_3$ , calculating  $W_2 \cdot W_3$ , or  $W_1 \cdot W_3$  in the beginning and then multiplying the result with the remaining factor gives the exact same result. The reason is purely a matter of choice. For example, the following RICS would define the exact same language:

$$W_2 \cdot W_3 = W_4 \quad \text{constraint 1}$$

$$W_4 \cdot W_1 = I_1 \quad \text{constraint 2}$$

It follows that RICS are generally **not unique** descriptions of any given situation: many different RICS are able to describe the same problem.

To see that the two quadratic equations qualify as a Rank-1 Constraint System, choose the parameter  $n = 1$ ,  $m = 4$  and  $k = 2$  as well as the following values:

$$\begin{array}{cccccc} a_0^1 = 0 & a_1^1 = 0 & a_2^1 = 1 & a_3^1 = 0 & a_4^1 = 0 & a_5^1 = 0 \\ a_0^2 = 0 & a_1^2 = 0 & a_2^2 = 0 & a_3^2 = 0 & a_4^2 = 0 & a_5^2 = 1 \end{array}$$

$$\begin{array}{cccccc} b_0^1 = 0 & b_1^1 = 0 & b_2^1 = 0 & b_3^1 = 1 & b_4^1 = 0 & b_5^1 = 0 \\ b_0^2 = 0 & b_1^2 = 0 & b_2^2 = 0 & b_3^2 = 0 & b_4^2 = 1 & b_5^2 = 0 \end{array}$$

$$\begin{array}{cccccc} c_0^1 = 0 & c_1^1 = 0 & c_2^1 = 0 & c_3^1 = 0 & c_4^1 = 0 & c_5^1 = 1 \\ c_0^2 = 0 & c_1^2 = 1 & c_2^2 = 0 & c_3^2 = 0 & c_4^2 = 0 & c_5^2 = 0 \end{array}$$

With this choice, the Rank-1 Constraint System of our 3-factorization problem can be written in its most general form as follows:

$$\begin{aligned} (a_0^1 + a_1^1 I_1 + a_2^1 W_1 + a_3^1 W_2 + a_4^1 W_3 + a_5^1 W_4) \cdot (b_0^1 + b_1^1 I_1 + b_2^1 W_1 + b_3^1 W_2 + b_4^1 W_3 + b_5^1 W_4) &= (c_0^1 + c_1^1 I_1 + c_2^1 W_1 + c_3^1 W_2 + c_4^1 W_3 + c_5^1 W_4) \\ (a_0^2 + a_1^2 I_1 + a_2^2 W_1 + a_3^2 W_2 + a_4^2 W_3 + a_5^2 W_4) \cdot (b_0^2 + b_1^2 I_1 + b_2^2 W_1 + b_3^2 W_2 + b_4^2 W_3 + b_5^2 W_4) &= (c_0^2 + c_1^2 I_1 + c_2^2 W_1 + c_3^2 W_2 + c_4^2 W_3 + c_5^2 W_4) \end{aligned}$$

*Example 121* (RICS for the points of the Tiny-jubjub curve). Consider the languages  $L_{\text{tiny.jj.1}}$  from example 119, which consists of words  $\langle I_1, I_2 \rangle$  over the alphabet  $\mathbb{F}_{13}$  such that  $3 \cdot I_1^2 + I_2^2 = 1 + 8 \cdot I_1 \cdot I_2^2$ .

We derive a Rank-1 Constraint System such that its solutions are in a 1:1 correspondence with words in  $L_{\text{tiny},jj,1}$ . To achieve this, we first rewrite the defining equation:

$$\begin{aligned} 3 \cdot I_1^2 + I_2^2 &= 1 + 8 \cdot I_1^2 \cdot I_2^2 && \Leftrightarrow \\ 0 &= 1 + 8 \cdot I_1^2 \cdot I_2^2 - 3 \cdot I_1^2 - I_2^2 && \Leftrightarrow \\ 0 &= 1 + 8 \cdot I_1^2 \cdot I_2^2 + 10 \cdot I_1^2 + 12 \cdot I_2^2 \end{aligned}$$

Since RICSs are systems of quadratic equations, we have to reformulate this expression into a system of quadratic equations. To do so, we have to introduce new variables that constrain intermediate steps in the computation, and we have to decide if those variables should be instance or witness variables. We decide to declare all new variables as witness variables, and get the following constraints:

$$\begin{aligned} I_1 \cdot I_1 &= W_1 && \text{constraint 1} \\ I_2 \cdot I_2 &= W_2 && \text{constraint 2} \\ (8 \cdot W_1) \cdot W_2 &= W_3 && \text{constraint 3} \\ (12 \cdot W_2 + W_3 + 10 \cdot W_1 + 1) \cdot 1 &= 0 && \text{constraint 4} \end{aligned}$$

To see that these four quadratic equations qualify as a Rank-1 Constraint System according to definition 6.2.1.1, choose the parameter  $n = 2$ ,  $m = 3$ ,  $k = 4$ , and the following values:

$$\begin{aligned} a_0^1 &= 0 & a_1^1 &= 1 & a_2^1 &= 0 & a_3^1 &= 0 & a_4^1 &= 0 & a_5^1 &= 0 \\ a_0^2 &= 0 & a_1^2 &= 0 & a_2^2 &= 1 & a_3^2 &= 0 & a_4^2 &= 0 & a_5^2 &= 0 \\ a_0^3 &= 0 & a_1^3 &= 0 & a_2^3 &= 0 & a_3^3 &= 8 & a_4^3 &= 0 & a_5^3 &= 0 \\ a_0^4 &= 1 & a_1^4 &= 0 & a_2^4 &= 0 & a_3^4 &= 10 & a_4^4 &= 12 & a_5^4 &= 1 \\ \\ b_0^1 &= 0 & b_1^1 &= 1 & b_2^1 &= 0 & b_3^1 &= 0 & b_4^1 &= 0 & b_5^1 &= 0 \\ b_0^2 &= 0 & b_1^2 &= 0 & b_2^2 &= 1 & b_3^2 &= 0 & b_4^2 &= 0 & b_5^2 &= 0 \\ b_0^3 &= 0 & b_1^3 &= 0 & b_2^3 &= 0 & b_3^3 &= 0 & b_4^3 &= 1 & b_5^3 &= 0 \\ b_0^4 &= 1 & b_1^4 &= 0 & b_2^4 &= 0 & b_3^4 &= 0 & b_4^4 &= 0 & b_5^4 &= 0 \\ \\ c_0^1 &= 0 & c_1^1 &= 0 & c_2^1 &= 0 & c_3^1 &= 1 & c_4^1 &= 0 & c_5^1 &= 0 \\ c_0^2 &= 0 & c_1^2 &= 0 & c_2^2 &= 0 & c_3^2 &= 0 & c_4^2 &= 1 & c_5^2 &= 0 \\ c_0^3 &= 0 & c_1^3 &= 0 & c_2^3 &= 0 & c_3^3 &= 0 & c_4^3 &= 0 & c_5^3 &= 1 \\ c_0^4 &= 0 & c_1^4 &= 0 & c_2^4 &= 0 & c_3^4 &= 0 & c_4^4 &= 0 & c_5^4 &= 0 \end{aligned}$$

With this choice, the Rank-1 Constraint System of our Tiny-jubjub curve point problem can be written in its most general form as follows:

$$\begin{aligned} (a_0^1 + a_1^1 I_1 + a_2^1 I_2 + a_3^1 W_1 + a_4^1 W_2 + a_5^1 W_3) \cdot (b_0^1 + b_1^1 I_1 + b_2^1 I_2 + b_3^1 W_1 + b_4^1 W_2 + b_5^1 W_3) &= (c_0^1 + c_1^1 I_1 + c_2^1 I_2 + c_3^1 W_1 + c_4^1 W_2 + c_5^1 W_3) \\ (a_0^2 + a_1^2 I_1 + a_2^2 I_2 + a_3^2 W_1 + a_4^2 W_2 + a_5^2 W_3) \cdot (b_0^2 + b_1^2 I_1 + b_2^2 I_2 + b_3^2 W_1 + b_4^2 W_2 + b_5^2 W_3) &= (c_0^2 + c_1^2 I_1 + c_2^2 I_2 + c_3^2 W_1 + c_4^2 W_2 + c_5^2 W_3) \\ (a_0^3 + a_1^3 I_1 + a_2^3 I_2 + a_3^3 W_1 + a_4^3 W_2 + a_5^3 W_3) \cdot (b_0^3 + b_1^3 I_1 + b_2^3 I_2 + b_3^3 W_1 + b_4^3 W_2 + b_5^3 W_3) &= (c_0^3 + c_1^3 I_1 + c_2^3 I_2 + c_3^3 W_1 + c_4^3 W_2 + c_5^3 W_3) \\ (a_0^4 + a_1^4 I_1 + a_2^4 I_2 + a_3^4 W_1 + a_4^4 W_2 + a_5^4 W_3) \cdot (b_0^4 + b_1^4 I_1 + b_2^4 I_2 + b_3^4 W_1 + b_4^4 W_2 + b_5^4 W_3) &= (c_0^4 + c_1^4 I_1 + c_2^4 I_2 + c_3^4 W_1 + c_4^4 W_2 + c_5^4 W_3) \end{aligned}$$

Solutions to this constraint system are in 1:1 correspondence with words in  $L_{\text{tiny},jj,1}$ : if  $\langle I_1, I_2 \rangle; \langle W_1, W_2, W_3 \rangle$  is a solution, then  $\langle I_1, I_2 \rangle$  is a word in  $L_{\text{tiny},jj,1}$ , since the defining RICS implies that  $I_1$  and  $I_2$  satisfy the twisted Edwards equation of the Tiny-jubjub curve. On the other hand, if  $\langle I_1, I_2 \rangle$  is a word in  $L_{\text{tiny},jj,1}$ , then  $\langle I_1, I_2 \rangle; \langle I_1^2, I_2^2, 8 \cdot I_1^2 \cdot I_2^2 \rangle$  is a solution to our RICS.

*Exercise 100.* Consider the language  $L_{add}$  from exercise 99. Define an R1CS such that words in  $L_{add}$  are in 1:1 correspondence with solutions to this R1CS.

### 6.2.1.2 R1CS Satisfiability

To understand how Rank-1 Constraint Systems define formal languages, observe that every R1CS over a field  $\mathbb{F}$  defines a decision function over the alphabet  $\Sigma_I \times \Sigma_W = \mathbb{F} \times \mathbb{F}$  in the following way:

$$R_{R1CS} : (\mathbb{F})^* \times (\mathbb{F})^* \rightarrow \{true, false\}; (I;W) \mapsto \begin{cases} true & (I;W) \text{ satisfies R1CS} \\ false & \text{else} \end{cases} \quad (6.11)$$

Every R1CS therefore defines a formal language. The grammar of this language is encoded in the constraints, words are solutions to the equations, and a **statement** is a knowledge claim “Given instance  $I$ , there is a witness  $W$  such that  $(I;W)$  is a solution to the Rank-1 Constraint System”. A constructive proof to this claim is therefore equivalent to assigning a field element to every witness variable, which is verified whenever the set of all instance and witness variables solves the R1CS.

*Remark 4* (R1CS satisfiability). It should be noted that, in our definition, every R1CS defines its own language. However, in more theoretical approaches, another language usually called **R1CS satisfiability** is often considered, which is useful when it comes to more abstract problems like expressiveness or the computational complexity of the class of **all** R1CS. From our perspective, the R1CS satisfiability language is obtained by the union of all R1CS languages that are in our definition. To be more precise, let the alphabet  $\Sigma = \mathbb{F}$  be a field. Then the language  $L_{R1CS\_SAT}(\mathbb{F})$  is defined as follows:

$$L_{R1CS\_SAT}(\mathbb{F}) = \{(i;w) \in \Sigma^* \times \Sigma^* \mid \text{there is a R1CS } R \text{ such that } R(i;w) = true\}$$

*Example 122* (3-Factorization). Consider the language  $L_{3.fac\_zk}$  from example 118 and the R1CS defined in example 120. As we have seen in 120, solutions to the R1CS are in 1:1 correspondence with solutions to the decision function of  $L_{3.fac\_zk}$ . Both languages are therefore equivalent in the sense that there is a 1:1 correspondence between words in both languages.

To give an intuition of what constructive R1CS-based proofs in  $L_{3.fac\_zk}$  look like, consider the instance  $I_1 = 11$ . To prove the statement “There exists a witness  $W$  such that  $(I_1;W)$  is a word in  $L_{3.fac\_zk}$ ” constructively, a proof has to provide a solution to the R1CS from example 120, that is, an assignments to all witness variables  $W_1, W_2, W_3$  and  $W_4$ . Since the alphabet is  $\mathbb{F}_{13}$ , an example assignment is given by  $W = \langle 2, 3, 4, 6 \rangle$  since  $(I_1;W)$  satisfies the R1CS:

$$\begin{array}{ll} W_1 \cdot W_2 = W_4 & \# 2 \cdot 3 = 6 \\ W_4 \cdot W_3 = I_1 & \# 6 \cdot 4 = 11 \end{array}$$

A proper constructive proof is therefore given by  $\pi = \langle 2, 3, 4, 6 \rangle$ . Of course,  $\pi$  is not the only possible proof for this statement. Since factorization is not unique in a field in general, another constructive proof is given by  $\pi' = \langle 3, 5, 12, 2 \rangle$ .

$$\begin{array}{ll} W_1 \cdot W_2 = W_4 & \# 3 \cdot 5 = 15 \\ W_4 \cdot W_3 = I_1 & \# 12 \cdot 2 = 24 \end{array}$$

*Example 123* (The Tiny-jubjub curve). Consider the language  $L_{\text{tiny.jj.1}}$  from example 119, and its associated R1CS from example 121. To see how constructive proofs in  $L_{\text{tiny.jj.1}}$  using the R1CS from example 121 look like, consider the instance  $\langle I_1, I_2 \rangle = \langle 11, 6 \rangle$ . To prove the statement “There exists a witness  $W$  such that  $(\langle I_1, I_2 \rangle; W)$  is a word in  $L_{\text{tiny.jj.1}}$ ” constructively, a proof has to provide a solution to the R1CS 121 which is an assignment to all witness variables  $W_1$ ,  $W_2$  and  $W_3$ . Since the alphabet is  $\mathbb{F}_{13}$ , an example assignment is given by  $W = \langle 4, 10, 8 \rangle$  since  $(\langle I_1, I_2 \rangle; W)$  satisfies the R1CS:

$$\begin{array}{ll} I_1 \cdot I_1 = W_1 & 11 \cdot 11 = 4 \\ I_2 \cdot I_2 = W_2 & 6 \cdot 6 = 10 \\ (8 \cdot W_1) \cdot W_2 = W_3 & (8 \cdot 4) \cdot 10 = 8 \\ (12 \cdot W_2 + W_3 + 10 \cdot W_1 + 1) \cdot 1 = 0 & 12 \cdot 10 + 8 + 10 \cdot 4 + 1 = 0 \end{array}$$

A proper constructive proof is therefore given by  $\pi = \langle 4, 10, 8 \rangle$ , which shows that the instance  $\langle 11, 6 \rangle$  is a point on the Tiny-jubjub curve.

### 6.2.1.3 Modularity

As we discussed in 6.1.3, it is often useful to construct complex statements and their representing languages from simple ones. Rank-1 Constraint Systems are particularly useful for this, as the intersection of two R1CS over the same alphabet results in a new R1CS over that same alphabet.

To be more precise, let  $S_1$  and  $S_2$  be two R1CS over  $\mathbb{F}$ . A new R1CS  $S_3$  is obtained by the intersection of  $S_1$  and  $S_2$ , that is,  $S_3 = S_1 \cap S_2$ . In this context, intersection means that both the equations of  $S_1$  **and** the equations of  $S_2$  have to be satisfied in order to provide a solution for the system  $S_3$ .

As a consequence, developers are able to construct complex R1CS from simple ones. This modularity provides the theoretical foundation for many R1CS compilers, as we will see in chapter 7.

### 6.2.2 Algebraic Circuits

As we have seen in the previous paragraphs, Rank-1 Constraint Systems are quadratic equations such that solutions are knowledge proofs for the existence of words in associated languages. From the perspective of a prover, it is therefore important to solve those equations efficiently.

However, in contrast to systems of linear equations, no general methods are known that solve systems of quadratic equations efficiently. Rank-1 Constraint Systems are therefore impractical from a provers perspective and auxiliary information is needed that helps to compute solutions efficiently.

Methods which compute R1CS solutions are sometimes called **witness generator functions**. To provide a common example, we introduce another class of decision functions called **algebraic circuits**. As we will see, every algebraic circuit defines an associated R1CS and also provides an efficient way to compute solutions for that R1CS. This method is introduced, for example, in Ben-Sasson et al. [2013].

It can be shown that every space- and time-bounded computation is expressible as an algebraic circuit. Transforming high-level computer programs into those circuits is a process often called **flattening**. We will look at those transformations in chapter 7.

In this section we will introduce our model for algebraic circuits and look at the concept of circuit execution and valid assignments. After that, we will show how to derive Rank-1

Constraint Systems from circuits and how circuits are useful to compute solutions to associated R1CS efficiently.

### 6.2.2.1 Algebraic circuit representation

To see what algebraic circuits are, let  $\mathbb{F}$  be a field. An algebraic circuit is then a directed acyclic (multi)graph that computes a polynomial function over  $\mathbb{F}$ . Nodes with only outgoing edges (source nodes) represent the variables and constants of the function and nodes with only incoming edges (sink nodes) represent the outcome of the function. All other nodes have exactly two incoming edges and represent the field operations **addition** as well as **multiplication**. Graph edges are directed and represent the flow of the computation along the nodes.

To be more precise, in this book, we call a directed acyclic multi-graph  $C(\mathbb{F})$  an **algebraic circuit** over  $\mathbb{F}$  if the following conditions hold:

- The set of edges has a total order.
- Every source node has a label that represents either a variable or a constant from the field  $\mathbb{F}$ .
- Every sink node has exactly one incoming edge and a label that represents either a variable or a constant from the field  $\mathbb{F}$ .
- Every node that is neither a source nor a sink has exactly two incoming edges and a label from the set  $\{+, *\}$  that represents either addition or multiplication in  $\mathbb{F}$ .
- All outgoing edges from a node have the same label.
- Outgoing edges from a node with a label that represents a variable have a label.
- Outgoing edges from a node with a label that represents multiplication have a label, if there is at least one labeled edge in both input path.
- All incoming edges to sink nodes have a label.
- If an edge has two labels  $S_i$  and  $S_j$  it gets a new label  $S_i = S_j$ .
- No other edge has a label.
- Incoming edges to labeled sink nodes, where the label is a constant  $c \in \mathbb{F}$  are labeled with the same constant. Every other edge label is taken from the set  $\{W, I\}$  and indexed compatible with the order of the edge set.

It should be noted that the details in the definitions of algebraic circuits vary between different sources. We use this definition as it is conceptually straightforward and well-suited for pen-and-paper computations.

To get a better intuition of our definition, let  $C(\mathbb{F})$  be an algebraic circuit. Source nodes are the inputs to the circuit and either represent variables or constants. In a similar way, sink nodes represent termination points of the circuit and are either output variables or constants. Constant sink nodes enforce computational outputs to take on certain values.

Nodes that are neither source nodes nor sink nodes are called **arithmetic gates**. Arithmetic gates that are decorated with the “+”-label are called **addition-gates** and arithmetic gates that



are decorated with the “.”-label are called **multiplication-gates**. Every arithmetic gate has exactly two inputs, represented by the two incoming edges.

Since the set of edges is ordered, we can write it as a string  $\langle E_1, E_2, \dots, E_n \rangle$  for some  $n \in \mathbb{N}$  and we use those indices to index the edge labels, too. Edge labels are therefore either constants or symbols like  $I_j, W_j$ , where  $j$  is an index compatible with the edge order. Labels  $I_j$  represent instance variables, labels  $W_j$  witness variables. Labels on the outgoing edges of input variables constrain the associated variable to that edge.

*Notation and Symbols 16.* In synthesizing algebraic circuits, assigning instance  $I_j$  or witness  $W_j$  labels to appropriate edges is often the final step. It is therefore convenient to not distinguish these two types of edges in previous steps. To account for that, we often simply write  $S_j$  for an edge label, indicating that the instance/witness property of the label is unspecified and it might represent both an instance or a witness label.

*Example 124 (Generalized factorization SNARK).* To give a simple example of an algebraic circuit, consider our 3-factorization problem from example 118 again. To express the problem in the algebraic circuit model, consider the following function

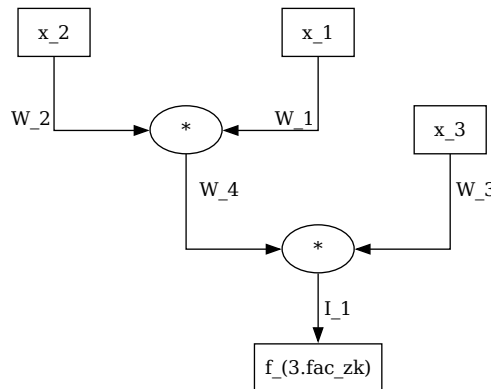
$$f_{3.fac} : \mathbb{F}_{13} \times \mathbb{F}_{13} \times \mathbb{F}_{13} \rightarrow \mathbb{F}_{13}; (x_1, x_2, x_3) \mapsto x_1 \cdot x_2 \cdot x_3$$

Using this function, we can describe the zero-knowledge 3-factorization problem from 118, in the following way: Given instance  $I_1 \in \mathbb{F}_{13}$ , a valid witness is a preimage of  $f_{3.fac}$  at the point  $I_1$ , i.e., a valid witness consists of three values  $W_1, W_2$  and  $W_3$  from  $\mathbb{F}_{13}$  such that  $f_{3.fac}(W_1, W_2, W_3) = I_1$ .

To see how this function can be transformed into an algebraic circuit over  $\mathbb{F}_{13}$ , it is a common first step to introduce brackets into the function’s definition and then write the operations as binary operators, in order to highlight how exactly every field operation acts on its two inputs. Due to the associativity laws in a field, we have several choices. We choose

$$\begin{aligned} f_{3.fac}(x_1, x_2, x_3) &= x_1 \cdot x_2 \cdot x_3 && \# \text{ bracket choice} \\ &= (x_1 \cdot x_2) \cdot x_3 && \# \text{ operator notation} \\ &= MUL(MUL(x_1, x_2), x_3) \end{aligned}$$

Using this expression, we can write an associated algebraic circuit by first constraining the variables to edge labels  $W_1 = x_1, W_2 = x_2$  and  $W_3 = x_3$  as well as  $I_1 = f_{3.fac}(x_1, x_2, x_3)$ , taking the distinction between witness and instance inputs into account. We then rewrite the operator representation of  $f_{3.fac}$  into circuit nodes and get the following:



In this case, the directed acyclic multi-graph is a binary tree with three leaves (the source nodes) labeled by  $x_1, x_2$  and  $x_3$ , one root (the single sink node) labeled by  $f_{3.fac}(x_1, x_2, x_3)$  and two internal nodes, which are labeled as multiplication gates.

The order we use to label the edges is chosen to make the edge labeling consistent with the choice of  $W_4$  as defined in definition 6.2.2.1. This order can be obtained by a depth-first right-to-left-first traversal algorithm.

*Example 125.* To give a more realistic example of an algebraic circuit, look at the defining equation of the Tiny-jubjub curve 71 again. A pair of field elements  $(x, y) \in \mathbb{F}_{13}^2$  is a curve point, precisely if the following equation holds:

$$3 \cdot x^2 + y^2 = 1 + 8 \cdot x^2 \cdot y^2$$

To understand how one might transform this identity into an algebraic circuit, we first rewrite this equation by shifting all terms to the right. We get the following:

$$\begin{aligned} 3 \cdot x^2 + y^2 &= 1 + 8 \cdot x^2 \cdot y^2 && \Leftrightarrow \\ 0 &= 1 + 8 \cdot x^2 \cdot y^2 - 3 \cdot x^2 - y^2 && \Leftrightarrow \\ 0 &= 1 + 8 \cdot x^2 \cdot y^2 + 10 \cdot x^2 + 12 \cdot y^2 \end{aligned}$$

Then we use this expression to define a function such that all points of the Tiny-jubjub curve are characterized as the function preimages at 0.

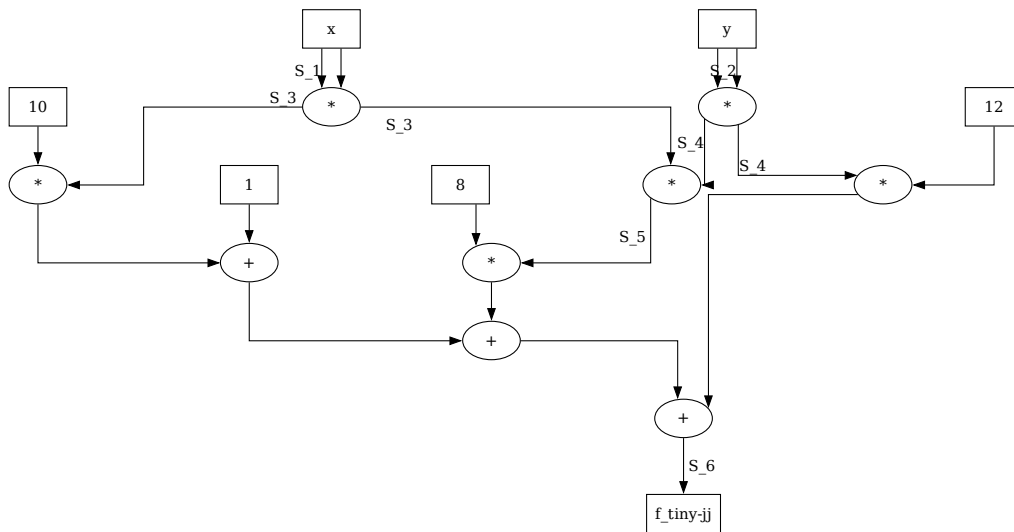
$$f_{tiny-jj} : \mathbb{F}_{13} \times \mathbb{F}_{13} \rightarrow \mathbb{F}_{13} ; (x, y) \mapsto 1 + 8 \cdot x^2 \cdot y^2 + 10 \cdot x^2 + 12 \cdot y^2$$

Every pair of field elements  $(x, y) \in \mathbb{F}_{13}^2$  with  $f_{tiny-jj}(x, y) = 0$  is a point on the Tiny-jubjub curve, and there are no other curve points. The preimage  $f_{tiny-jj}^{-1}(0)$  is therefore a complete description of the Tiny-jubjub curve.

We can transform this function into an algebraic circuit over  $\mathbb{F}_{13}$ . We first introduce brackets into potentially ambiguous expressions and then rewrite the function in terms of binary operators. We get the following:

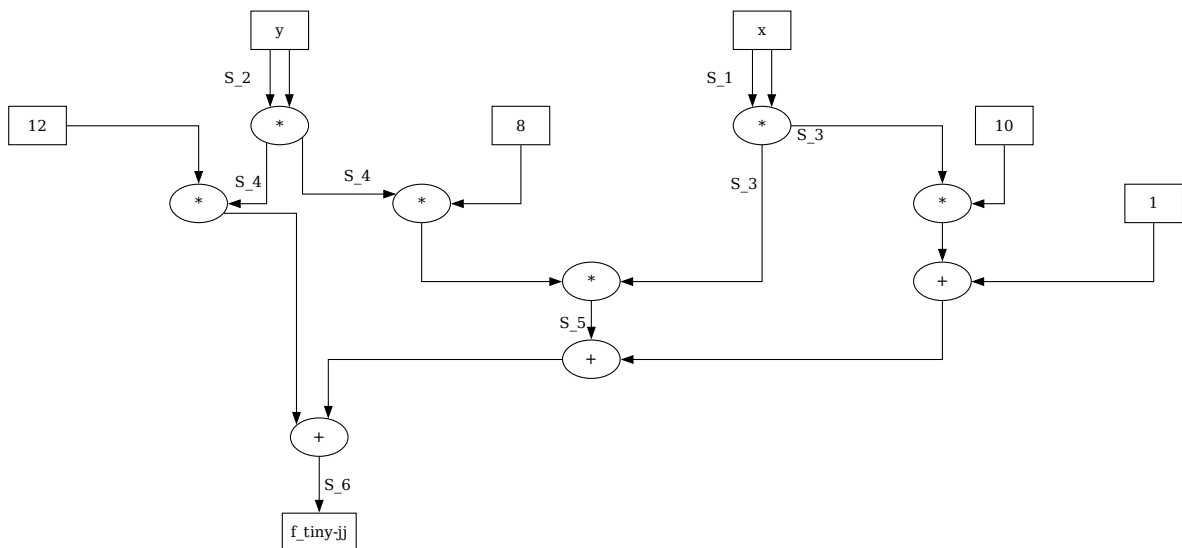
$$\begin{aligned} f_{tiny-jj}(x, y) &= 1 + 8 \cdot x^2 \cdot y^2 + 10 \cdot x^2 + 12y^2 && \Leftrightarrow \\ &= ((8 \cdot ((x \cdot x) \cdot (y \cdot y))) + (1 + 10 \cdot (x \cdot x))) + (12 \cdot (y \cdot y)) && \Leftrightarrow \\ &= ADD(ADD(MUL(8, MUL(MUL(x, x), MUL(y, y))), ADD(1, MUL(10, MUL(x, x))), MUL(12, MUL(y, y)))) \end{aligned}$$

Since we haven't decided which part of the computation should be instance and which part should be witness, we use the unspecified symbol  $S$  to represent edge labels. Constraining all variables to edge labels  $S_1 = x$ ,  $S_2 = y$  and  $S_6 = f_{tiny-jj}$ , we get the following circuit, representing the function  $f_{tiny-jj}$ , by inductively replacing binary operators with their associated arithmetic gates:



This circuit is not a graph, but a multigraph, since there is more than one edge between some of the nodes.

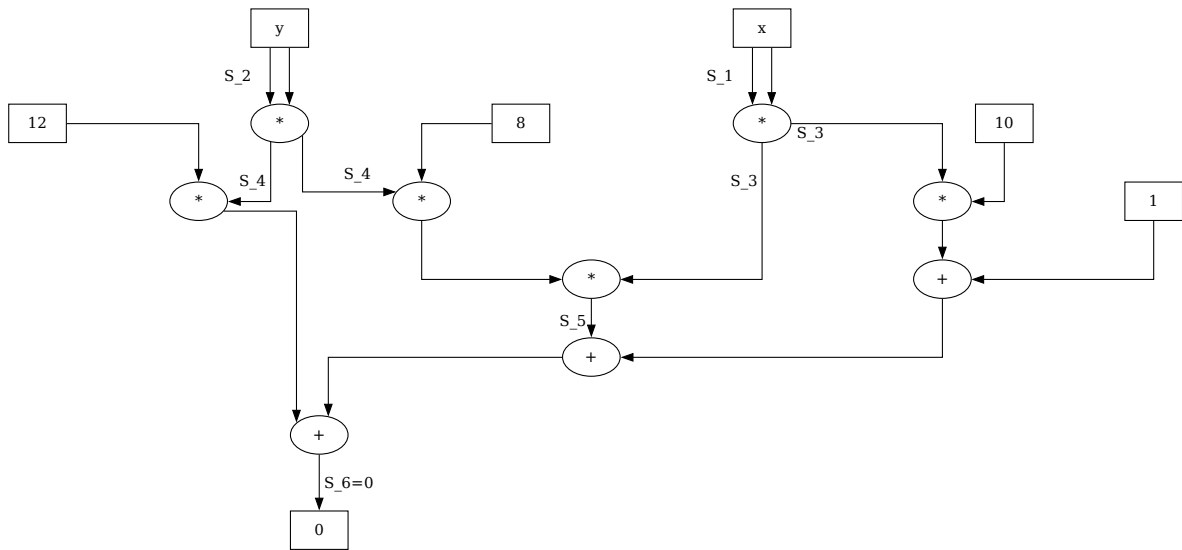
In the process of designing of circuits from functions, it should be noted that circuit representations are not unique in general. In case of the function  $f_{tiny-ij}$ , the circuit shape is dependent on our choice of bracketing above. An alternative design is for example, given by the following circuit, which occurs when the bracketed expression  $8 \cdot ((x \cdot x) \cdot (y \cdot y))$  is replaced by the expression  $(x \cdot x) \cdot (8 \cdot (y \cdot y))$ .



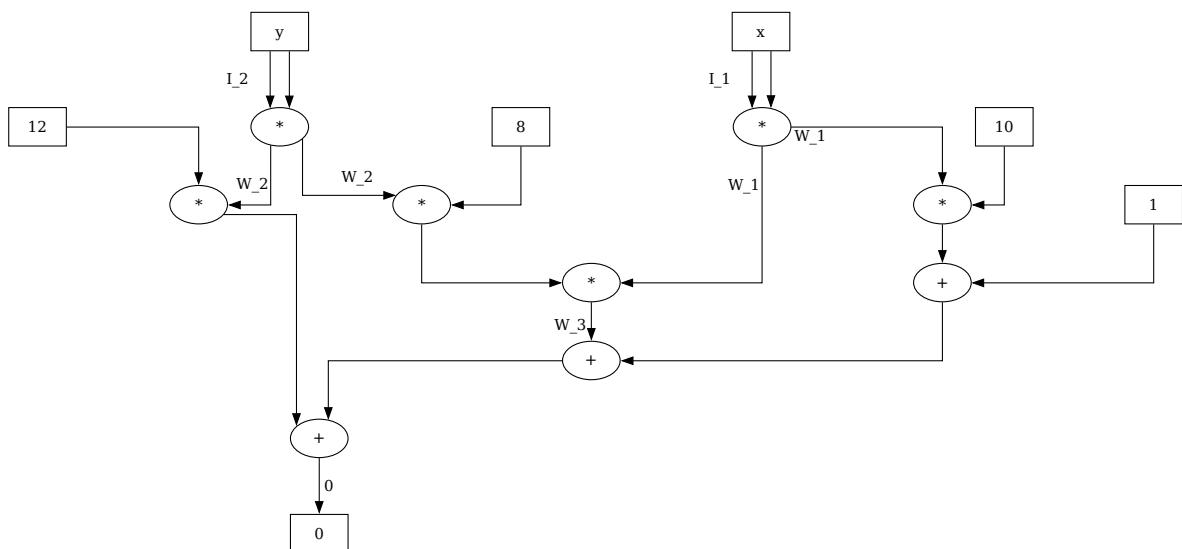
Of course, both circuits represent the same function, due to the associativity and commutativity laws that hold true in any field.

With a circuit that represents the function  $f_{tiny-ij}$ , we can now proceed to derive a circuit that constrains arbitrary pairs  $(x, y)$  of field elements to be points on the Tiny-jubjub curve. To do so, we have to constrain the output to be zero, that is, we have to constrain  $S_6 = 0$ . To indicate

this in the circuit, we replace the output variable by the constant 0 and constrain the related edge label accordingly. We get the following:



The previous circuit enforces input values assigned to the labels  $S_1$  and  $S_2$  to be points on the Tiny-jubjub curve. However, it does not specify which labels are considered instance and which are considered witness. The following circuit defines the inputs to be instances, while all other labels represent witnesses:



It can be shown that every space- and time-bounded computation can be transformed into an algebraic circuit. We call any process that transforms a bounded computation into a circuit **flattening**.

### 6.2.2.2 Circuit Execution

Algebraic circuits are directed, acyclic multi-graphs, where nodes represent variables, constants, or addition and multiplication gates. In particular, every algebraic circuit with  $n$  input nodes decorated with variable symbols and  $m$  output nodes decorated with variables can be seen as a function that transforms an input string  $(x_1, \dots, x_n)$  from  $\mathbb{F}^n$  into an output string  $(f_1, \dots, f_m)$  from  $\mathbb{F}^m$ . The transformation is done by sending values associated to nodes along their outgoing edges to other nodes. If those nodes are gates, then the values are transformed according to the gate label and the process is repeated along all edges until a sink node is reached. We call this computation **circuit execution**.

When executing a circuit, it is possible to not only compute the output values of the circuit but to derive field elements for all edges, and, in particular, for all edge labels in the circuit. The result is a string  $\langle S_1, S_2, \dots, S_n \rangle$  of field elements associated to all labeled edges, which we call a **valid assignment** to the circuit. In contrast, any assignment  $\langle S'_1, S'_2, \dots, S'_n \rangle$  of field elements to edge labels that can not arise from circuit execution is called an **invalid assignment**.

Valid assignments can be interpreted as **proofs for proper circuit execution** because they keep a record of the computational result as well as intermediate computational steps.

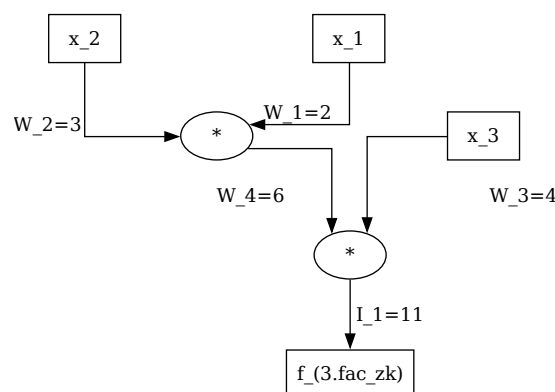
*Example 126 (3-factorization).* Consider the 3-factorization problem from example 118 and its representation as an algebraic circuit from example 124. We know that the string of edge labels is given by  $S := \langle I_1; W_1, W_2, W_3, W_4 \rangle$ .

To understand how this circuit is executed, consider the variables  $x_1 = 2$ ,  $x_2 = 3$  as well as  $x_3 = 4$ . Following all edges in the graph, we get the assignments  $W_1 = 2$ ,  $W_2 = 3$  and  $W_3 = 4$ . Then the assignments of  $W_1$  and  $W_2$  enter a multiplication gate and the output of the gate is  $2 \cdot 3 = 6$ , which we assign to  $W_4$ , i.e.  $W_4 = 6$ . The values  $W_4$  and  $W_3$  then enter the second multiplication gate and the output of the gate is  $6 \cdot 4 = 11$ , which we assign to  $I_1$ , i.e.  $I_1 = 11$ .

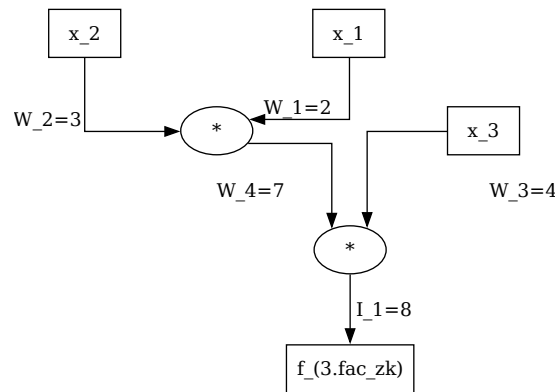
A valid assignment to the 3-factorization circuit  $C_{3, \text{fac}}(\mathbb{F}_{13})$  is therefore given by the following string of field elements from  $\mathbb{F}_{13}$ :

$$S_{\text{valid}} := \langle 11; 2, 3, 4, 6 \rangle \quad (6.12)$$

We can visualise this assignment by assigning every computed value to its associated label in the circuit as follows:



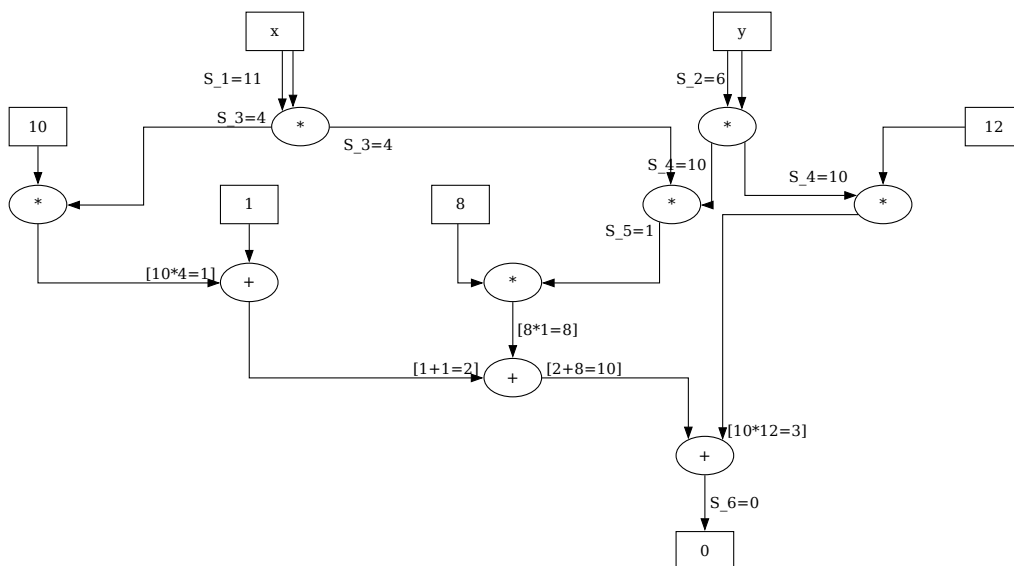
To see what an invalid assignment looks like, consider the assignment  $S_{\text{err}} := \langle 8; 2, 3, 4, 7 \rangle$ . In this assignment, the input values are the same as in the previous case. The associated circuit is:



This assignment is invalid, as the assignments of  $I_1$  and  $W_4$  cannot be obtained by executing the circuit.

*Example 127.* To compute a more realistic algebraic circuit execution, consider the defining circuit  $C_{\text{tiny-jj}}(\mathbb{F}_{13})$  from example 125 again. We already know from the way this circuit is constructed that any valid assignment with  $S_1 = x$ ,  $S_2 = y$  and  $S_6 = 0$  will ensure that the pair  $(x, y)$  is a point on the Tiny-jubjub curve in its Edwards representation (equation 5.36).

From example 5.36, we know that the pair  $(11, 6)$  is a proper point on the Tiny-jubjub curve and we use this point as input to a circuit execution. We get the following:



Executing the circuit, we indeed compute  $S_6 = 0$  as expected, which proves that  $(11, 6)$  is a point on the Tiny-jubjub curve in its Edwards representation. A valid assignment of  $C_{\text{tiny-jj}}(\mathbb{F}_{13})$  is therefore given by the following string:

$$S_{\text{tiny-jj}} = \langle S_1, S_2, S_3, S_4, S_5, S_6 \rangle = \langle 11, 6, 4, 10, 1, 0 \rangle$$

### 6.2.2.3 Circuit Satisfiability

To understand how algebraic circuits give rise to formal languages, observe that every algebraic circuit  $C(\mathbb{F})$  over a fields  $\mathbb{F}$  defines a decision function over the alphabet  $\Sigma_I \times \Sigma_W = \mathbb{F} \times \mathbb{F}$  in the

following way:

$$R_{C(\mathbb{F})} : \mathbb{F}^* \times \mathbb{F}^* \rightarrow \{true, false\}; (I; W) \mapsto \begin{cases} true & (I; W) \text{ is valid assignment to } C(\mathbb{F}) \\ false & \text{else} \end{cases} \quad (6.13)$$

Every algebraic circuit therefore defines a formal language. The grammar of this language is encoded in the shape of the circuit, words are assignments to edge labels that are derived from circuit execution, and **statements** are knowledge claims “Given instance  $I$ , there is a witness  $W$  such that  $(I; W)$  is a valid assignment to the circuit”. A constructive proof to this claim is therefore an assignment of a field element to every witness variable, which is verified by executing the circuit to see if the assignment of the execution meets the assignment of the proof.

In the context of zero-knowledge proof systems, executing circuits is also often called **witness generation**, since in applications the instance part is usually public, while its the task of a prover to compute the witness part.

*Remark 5* (Circuit satisfiability). Similar to 4, it should be noted that, in our definition, every circuit defines its own language. However, in more theoretical approaches another language usually called **circuit satisfiability** is often considered, which is useful when it comes to more abstract problems like expressiveness, or computational complexity of the class of **all** algebraic circuits over a given field. From our perspective, the circuit satisfiability language is obtained by union of all circuit languages that are in our definition. To be more precise, let the alphabet  $\Sigma = \mathbb{F}$  be a field. Then

$$L_{CIRCUIT\_SAT(\mathbb{F})} = \{(i; w) \in \Sigma^* \times \Sigma^* \mid \text{there is a circuit } C(\mathbb{F}) \text{ such that } (i; w) \text{ is valid assignment}\}$$

*Example 128* (3-Factorization). Consider the circuit  $C_{3, fac}$  from example 124 again. We call the associated language  $L_{3, fac\_circ}$ .

To understand how a constructive proof of a statement in  $L_{3, fac\_circ}$  looks like, consider the instance  $I_1 = 11$ . To provide a proof for the statement “There exists a witness  $W$  such that  $(I_1; W)$  is a word in  $L_{3, fac\_circ}$ ” a proof therefore has to consists of proper values for the variables  $W_1, W_2, W_3$  and  $W_4$ . Any prover therefore has to find input values for  $W_1, W_2$  and  $W_3$  and then execute the circuit to compute  $W_4$  under the assumption  $I_1 = 11$ .

Example 126 implies that  $\langle 2, 3, 4, 6 \rangle$  is a proper constructive proof and in order to verify the proof a verifier needs to execute the circuit with instance  $I_1 = 11$  and inputs  $W_1 = 2, W_2 = 3$  and  $W_3 = 4$  to decide whether the proof is a valid assignment or not.

*Exercise 101.* Consider the circuit  $C_{tiny-jj}(\mathbb{F}_{13})$  from example 125, with its associated language  $L_{tiny-jj}$ . Construct a proof  $\pi$  for the instance  $\langle 11, 6 \rangle$  and verify the proof.

#### 6.2.2.4 Associated Constraint Systems

As we have seen in 6.2.1, Rank-1 Constraint Systems define a way to represent statements in terms of a system of quadratic equations over finite fields, suitable for pairing-based zero-knowledge proof systems. However, those equations provide no practical way for a prover to actually compute a solution. On the other hand, algebraic circuits can be executed in order to derive valid assignments efficiently.

In this paragraph, we show how to transform any algebraic circuit into a Rank-1 Constraint System such that valid circuit assignments are in 1:1 correspondence with solutions to the associated RICS.

To see this, let  $C(\mathbb{F})$  be an algebraic circuit over a finite field  $\mathbb{F}$ , with a string of edge labels  $\langle S_1, S_2, \dots, S_n \rangle$ . Then we start with an empty RICS and one of the following steps is executed for every edge label  $S_j$  from that set:

- If the edge label  $S_j$  is an outgoing edge of a multiplication gate, the RICS gets a new quadratic constraint

$$(\text{left input}) \cdot (\text{right input}) = S_j \quad (6.14)$$

In this expression (left input) is the output from the symbolic execution of the subgraph that consists of the left input edge of this gate and all edges and nodes that have this edge in their path, starting with constant inputs or labeled outgoing edges of other nodes.

In the same way (right input) is the output from the symbolic execution of the subgraph that consists of the right input edge of this gate and all edges and nodes that have this edge in their path, starting with constant inputs or labeled outgoing edges of other nodes.

- If the edge label  $S_j$  is an outgoing edge of an addition gate, the RICS gets a new quadratic constraint

$$(\text{left input} + \text{right input}) \cdot 1 = S_j \quad (6.15)$$

In this expression (left input) is the output from the symbolic execution of the subgraph that consists of the left input edge of this gate and all edges and nodes that have this edge in their path, starting with constant inputs or labeled outgoing edges of other nodes.

In the same way (right input) is the output from the symbolic execution of the subgraph that consists of the right input edge of this gate and all edges and nodes that have this edge in their path, starting with constant inputs or labeled outgoing edges of other nodes.

- No other edge label adds a constraint to the system.

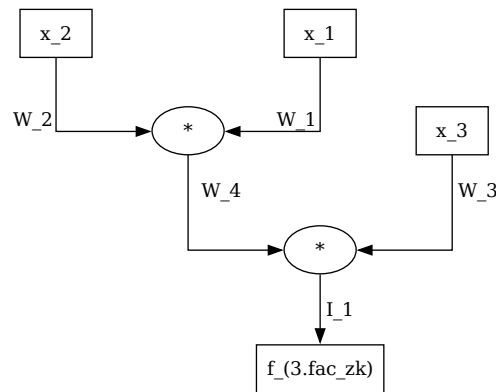
If an algebraic circuit  $C(\mathbb{F})$  is constructed according to the rules from 6.2.2.1, the result of this method is a Rank-1 Constraint System, and, in this sense, every algebraic circuit  $C(\mathbb{F})$  generates a RICS  $R$ , which we call the **associated RICS** of the circuit. It can be shown that a string of field elements  $\langle S_1, S_2, \dots, S_n \rangle$  is a valid assignment to a circuit if and only if the same string is a solution to the associated RICS. Circuit executions therefore compute solutions to Rank-1 Constraint Systems efficiently.

To understand the contribution of algebraic gates to the number of constraints, note that, according to construction 6.2.2.1, multiplication gates have labels on their outgoing edges if and only if there is at least one labeled edge in both input paths, or if the outgoing edge is an input to a sink node. This implies that multiplication with a constant is essentially free in the sense that it doesn't add a new constraint to the system, as long as that multiplication gate is not an input to an output node.

Moreover, addition gates have labels on their outgoing edges if and only if they are inputs to sink nodes. This implies that addition is essentially free in the sense that it doesn't add a new constraint to the system, as long as that addition gate is not an input to an output node.

*Example 129 (3-factorization).* Consider our 3-factorization problem from example 118 and the associated circuit  $C_{3, fac}(\mathbb{F}_{13})$  from example 124. Our task is to transform this circuit into an equivalent Rank-1 Constraint System.





We start with an empty R1CS, and, in order to generate all constraints, we have to iterate over the set of edge labels  $\langle I_1; W_1, W_2, W_3, W_4 \rangle$ .

Starting with the edge label  $I_1$ , we see that it is an outgoing edge of a multiplication gate, and, since both input edges are labeled, we have to add the following constraint to the system:

$$\begin{aligned} (\text{left input}) \cdot (\text{right input}) &= I_1 && \Leftrightarrow \\ W_4 \cdot W_3 &= I_1 \end{aligned}$$

Next, we consider the edge label  $W_1$  and, since, it's not an outgoing edge of a multiplication or addition gate, we don't add a constraint to the system. The same holds true for the labels  $W_2$  and  $W_3$ .

For edge label  $W_4$ , we see that it is an outgoing edge of a multiplication gate, and, since both input edges are labeled, we have to add the following constraint to the system:

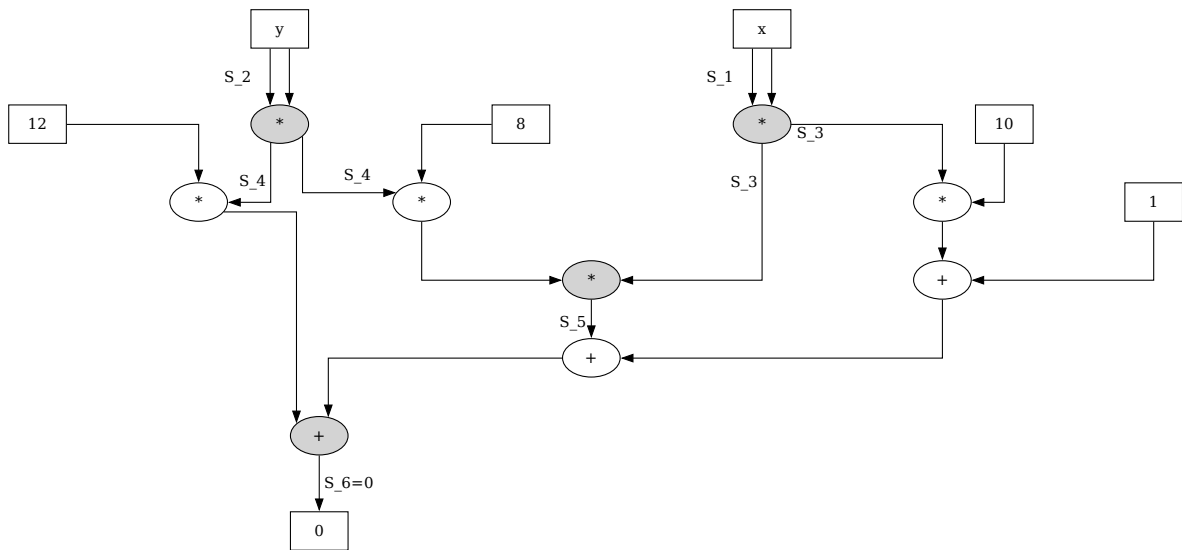
$$\begin{aligned} (\text{left input}) \cdot (\text{right input}) &= W_4 && \Leftrightarrow \\ W_2 \cdot W_1 &= W_4 \end{aligned}$$

Since there are no more labeled edges, all constraints are generated, and we have to combine them to get the associated R1CS of  $C_{3, \text{fac}}(\mathbb{F}_{13})$ :

$$\begin{aligned} W_4 \cdot W_3 &= I_1 \\ W_2 \cdot W_1 &= W_4 \end{aligned}$$

This system is equivalent to the R1CS we derived in example 120. The languages  $L_{3, \text{fac\_zk}}$  and  $L_{3, \text{fac\_circ}}$  are therefore equivalent and both the circuit as well as the R1CS are just two different ways of expressing the same language.

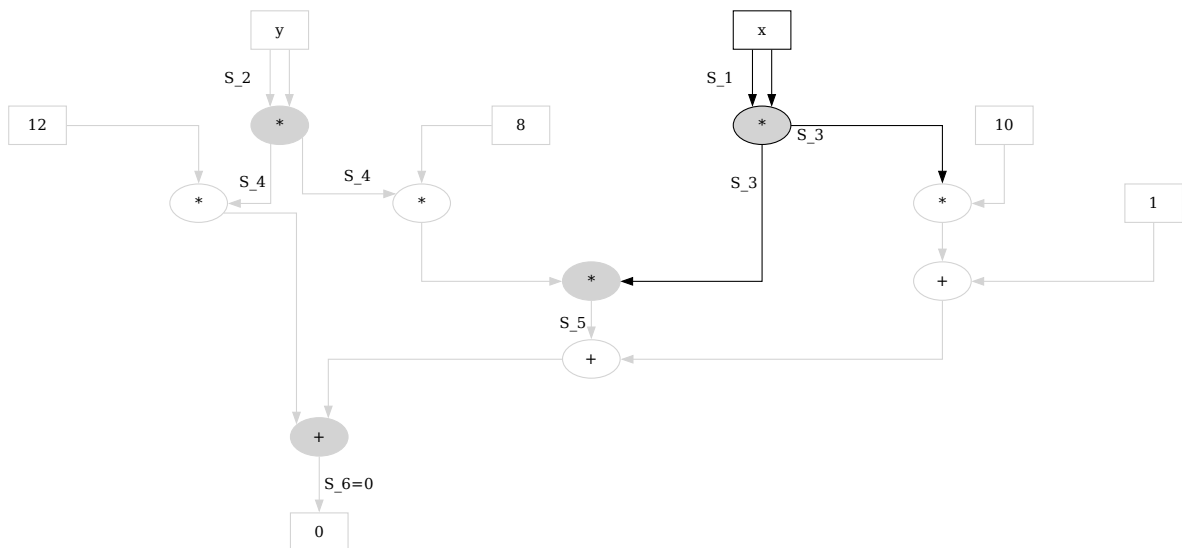
*Example 130.* To consider a more general transformation, we consider the Tiny-jubjub circuit from example 127 again. A proper circuit is given by the following graph, where we highlighted all nodes that contribute a constraint to the R1CS:



To compute the number of constraints, observe that we have 3 multiplication gates that have labels on their outgoing edges and 1 addition gate that has a label on its outgoing edge. We therefore have to compute 4 quadratic constraints.

In order to derive the associated R1CS, we have to start with an empty R1CS and then iterate over the set  $\langle S_1, S_2, S_3, S_4, S_5, S_6 = 0 \rangle$  of all edge labels, in order to generate the constraints.

Considering edge label  $S_1$ , we see that the associated edges are not outgoing edges of any algebraic gate, and we therefore have to add no new constraint to the system. The same holds true for edge label  $S_2$ . Looking at edge label  $S_3$ , we see that the associated subgraph is given by:

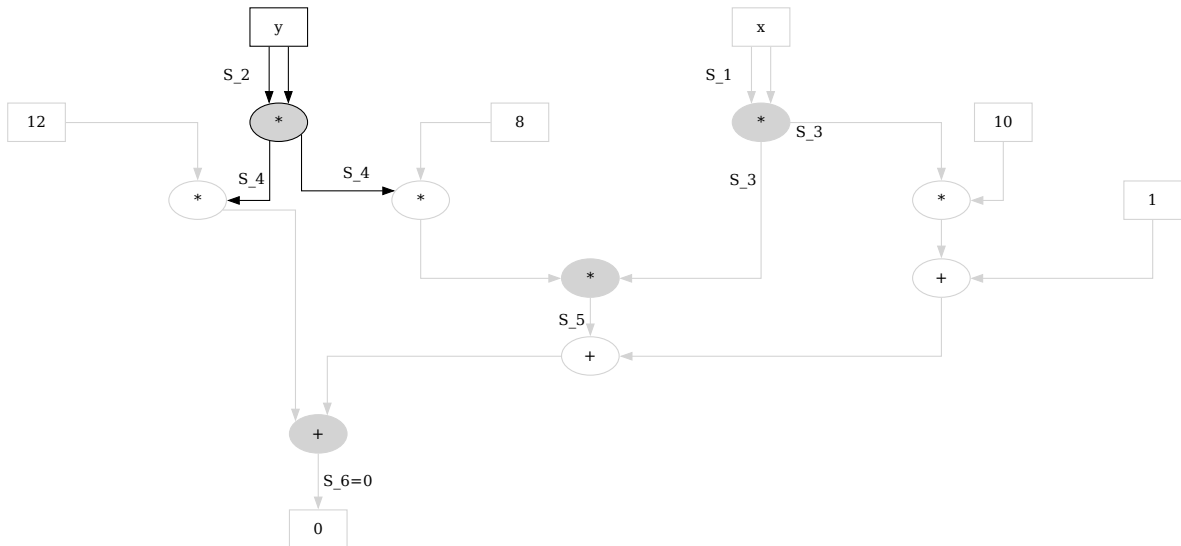


Both the left and the right input to this multiplication gate are labeled by  $S_1$ . We therefore have

to add the following constraint to the system:

$$S_1 \cdot S_1 = S_3$$

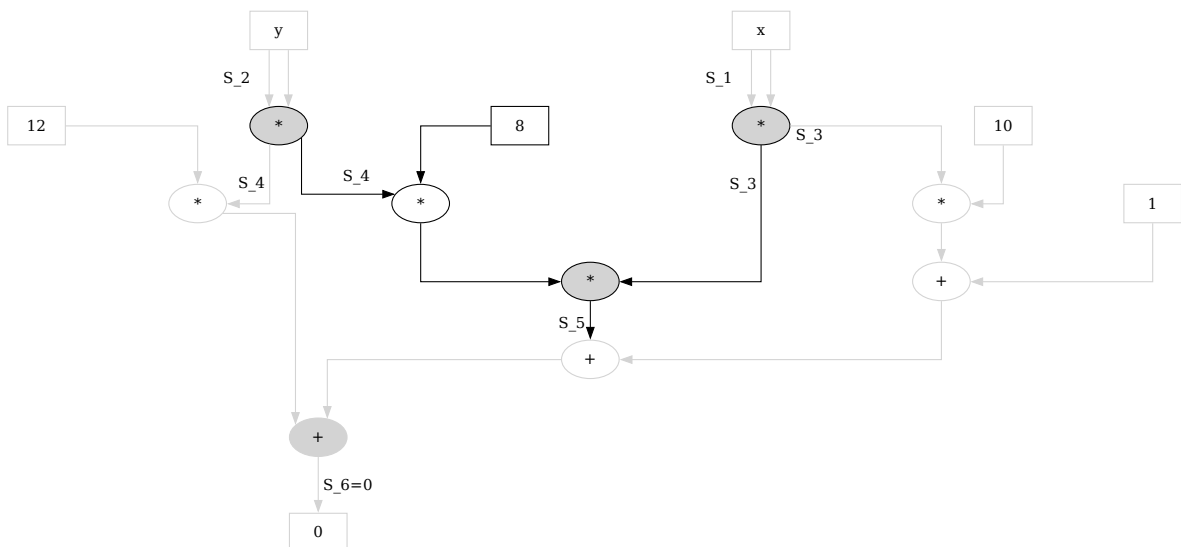
Looking at edge label  $S_4$ , we see that the associated edges are outgoing edges of a multiplication gate and that the associated subgraph is given by:



Both the left and the right input to this multiplication gate are labeled by  $S_2$  and we therefore have to add the following constraint to the system:

$$S_2 \cdot S_2 = S_4$$

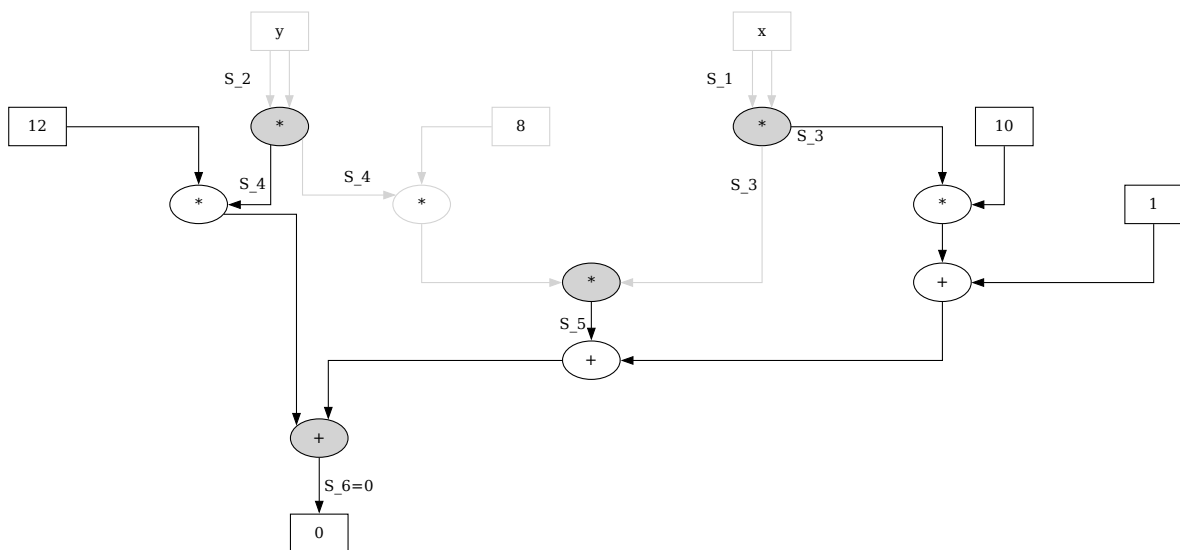
Edge label  $S_5$  is more interesting. To see how it implies a constraint, we have to construct the associated subgraph first, which consists of all edges, nodes, and paths, starting either at a constant input or a labeled edge. We get



The right input to the associated multiplication gate is given by the labeled edge  $S_3$ . However, the left input is not a labeled edge, but has a labeled edge in one of its path. To compute the left factor of that constraint, we have to compute the output of the subgraph associated to the left edge, which is  $S_4 \cdot 8$ . This gives the constraint

$$(S_4 \cdot 8) \cdot S_3 = S_5$$

The last edge label is the constant  $S_6 = 0$ . To see how it implies a constraint, we have to construct the associated subgraph, which consists of all edges, nodes, and paths, starting either at a constant input or a labeled edge. We get



Both the left and the right input are unlabeled, but have a labeled edges in their path. Since the gate is an addition gate, the right factor in the quadratic constraint is always 1 and the left factor is computed by symbolically executing all inputs to all gates in the sub-circuit. We get

$$(12 \cdot S_4 + S_5 + 10 \cdot S_3 + 1) \cdot 1 = 0$$

Since there are no more labeled outgoing edges, we are done deriving the constraints. Combining all constraints together, we get the following R1CS:

$$\begin{aligned} S_1 \cdot S_1 &= S_3 \\ S_2 \cdot S_2 &= S_4 \\ (S_4 \cdot 8) \cdot S_3 &= S_5 \\ (12 \cdot S_4 + S_5 + 10 \cdot S_3 + 1) \cdot 1 &= 0 \end{aligned}$$

which is equivalent to the R1CS we derived in example 121 both the circuit as well as the R1CS are just two different ways to express the same language.

### 6.2.3 Quadratic Arithmetic Programs

We have introduced algebraic circuits and their associated Rank-1 Constraint Systems as two particular models able to represent bounded computation. Both models define formal languages, and associated membership as well as knowledge claims can be proved in a constructive way by executing the circuit in order to compute solutions to its associated RICS.

One reason why those systems are useful in the context of succinct zero-knowledge proof systems is because any RICS can be transformed into another computational model called a **Quadratic Arithmetic Program** [QAP], which serves as the basis for some of the most efficient succinct non-interactive zero-knowledge proof generators that currently exist.

As we will see, proving statements for languages that have decision functions defined by Quadratic Arithmetic Programs can be achieved by providing certain polynomials, and those proofs can be verified by checking a particular divisibility property of those polynomials.

#### 6.2.3.1 QAP representation

To understand what Quadratic Arithmetic Programs are in detail, let  $\mathbb{F}$  be a field and  $R$  a Rank-1 Constraint System over  $\mathbb{F}$  such that the number of non-zero elements in  $\mathbb{F}$  is strictly larger than the number  $k$  of constraints in  $R$ . Moreover, let  $a_j^i, b_j^i$  and  $c_j^i \in \mathbb{F}$  for every index  $0 \leq j \leq n+m$  and  $1 \leq i \leq k$ , be the defining constants of the RICS and  $m_1, \dots, m_k$  be arbitrary, invertible and distinct elements from  $\mathbb{F}$ .

Then a **Quadratic Arithmetic Program** associated to the RICS  $R$  is the following set of polynomials over  $\mathbb{F}$ :

$$QAP(R) = \left\{ T \in \mathbb{F}[x], \{A_j, B_j, C_j \in \mathbb{F}[x]\}_{j=0}^{n+m} \right\} \quad (6.16)$$

Here  $T(x) := \prod_{i=1}^k (x - m_i)$  is a polynomial of degree  $k$ , called the **target polynomial** of the QAP and  $A_j, B_j$  as well as  $C_j$  are the unique degree  $k-1$  polynomials defined by the following equation:

$$A_j(m_i) = a_j^i, \quad B_j(m_i) = b_j^i, \quad C_j(m_i) = c_j^i \quad \text{for all } j = 1, \dots, n+m+1, i = 1, \dots, k \quad (6.17)$$

Given some Rank-1 Constraint System, an associated Quadratic Arithmetic Program is therefore a set of polynomials, computed from the constants in the RICS. To see that the polynomials  $A_j, B_j$  and  $C_j$  are uniquely defined by the equations 6.17, recall that a polynomial of degree  $k-1$  is completely determined by  $k$  evaluation points and it can be computed for example by Lagrange interpolation 4.

Computing a QAP from any given RICS can be achieved in the following three steps. If the RICS consists of  $k$  constraints, first choose  $k$  different, invertible element from the field  $\mathbb{F}$ . Every choice defines a different QAP for the same RICS. Then compute the target polynomial  $T$  according to its definition 6.16. After that use Lagrange's method 4 to compute the polynomials  $A_j$  for every  $1 \leq j \leq k$  from the set

$$S_{A_j} = \{(m_1, a_j^1), \dots, (m_k, a_j^k)\} \quad (6.18)$$

After that is done, execute the analog computation for the polynomials  $B_j$  and  $C_j$  for every  $1 \leq j \leq k$ .

*Example 131* (3-factorization). To provide a better intuition of Quadratic Arithmetic Programs and how they are computed from their associated Rank-1 Constraint Systems, consider the

language  $L_{3, fac\_zk}$  from example 118 and its associated RICS from example 120:

$$\begin{array}{ll} W_1 \cdot W_2 = W_4 & \text{constraint 1} \\ W_4 \cdot W_3 = I_1 & \text{constraint 2} \end{array}$$

In this example, we want to transform this RICS into an associated QAP. According to example 120 the defining constants  $a_j^i$ ,  $b_j^i$  and  $c_j^i$  of the RICS are given as follows:

$$\begin{array}{llllll} a_0^1 = 0 & a_1^1 = 0 & a_2^1 = 1 & a_3^1 = 0 & a_4^1 = 0 & a_5^1 = 0 \\ a_0^2 = 0 & a_1^2 = 0 & a_2^2 = 0 & a_3^2 = 0 & a_4^2 = 0 & a_5^2 = 1 \\ \\ b_0^1 = 0 & b_1^1 = 0 & b_2^1 = 0 & b_3^1 = 1 & b_4^1 = 0 & b_5^1 = 0 \\ b_0^2 = 0 & b_1^2 = 0 & b_2^2 = 0 & b_3^2 = 0 & b_4^2 = 1 & b_5^2 = 0 \\ \\ c_0^1 = 0 & c_1^1 = 0 & c_2^1 = 0 & c_3^1 = 0 & c_4^1 = 0 & c_5^1 = 1 \\ c_0^2 = 0 & c_1^2 = 1 & c_2^2 = 0 & c_3^2 = 0 & c_4^2 = 0 & c_5^2 = 0 \end{array}$$

Since the RICS is defined over the field  $\mathbb{F}_{13}$  and since it has two constraints, we need to choose two arbitrary but invertible and distinct elements  $m_1$  and  $m_2$  from  $\mathbb{F}_{13}$ . We choose  $m_1 = 5$ , and  $m_2 = 7$  and with this choice we get the target polynomial

$$\begin{array}{ll} T(x) = (x - m_1)(x - m_2) & \# \text{ Definition of T} \\ = (x - 5)(x - 7) & \# \text{ Insert our choice} \\ = (x + 8)(x + 6) & \# \text{ Negatives in } \mathbb{F}_{13} \\ = x^2 + x + 9 & \# \text{ expand} \end{array}$$

Then we have to compute the polynomials  $A_j$ ,  $B_j$  and  $C_j$  by their defining equation from the RICS coefficients. Since the RICS has two constraining equations, those polynomials are of degree 1 and they are defined by their evaluation at the point  $m_1 = 5$  and the point  $m_2 = 7$ .

At point  $m_1$ , each polynomial  $A_j$  is defined to be  $a_j^1$  and at point  $m_2$ , each polynomial  $A_j$  is defined to be  $a_j^2$ . The same holds true for the polynomials  $B_j$  as well as  $C_j$ . Writing all these equations down, we get:

$$\begin{array}{llllll} A_0(5) = 0, & A_1(5) = 0, & A_2(5) = 1, & A_3(5) = 0, & A_4(5) = 0, & A_5(5) = 0 \\ A_0(7) = 0, & A_1(7) = 0, & A_2(7) = 0, & A_3(7) = 0, & A_4(7) = 0, & A_5(7) = 1 \\ \\ B_0(5) = 0, & B_1(5) = 0, & B_2(5) = 0, & B_3(5) = 1, & B_4(5) = 0, & B_5(5) = 0 \\ B_0(7) = 0, & B_1(7) = 0, & B_2(7) = 0, & B_3(7) = 0, & B_4(7) = 1, & B_5(7) = 0 \\ \\ C_0(5) = 0, & C_1(5) = 0, & C_2(5) = 0, & C_3(5) = 0, & C_4(5) = 0, & C_5(5) = 1 \\ C_0(7) = 0, & C_1(7) = 1, & C_2(7) = 0, & C_3(7) = 0, & C_4(7) = 0, & C_5(7) = 0 \end{array}$$

Lagrange's interpolation implies that a polynomial of degree  $k$ , that is zero on  $k + 1$  points has to be the zero polynomial. Since our polynomials are of degree 1 and determined on 2 points, we therefore know that the only non-zero polynomials in our QAP are  $A_2$ ,  $A_5$ ,  $B_3$ ,  $B_4$ ,  $C_1$  and  $C_5$ , and that we can use Lagrange's interpolation to compute them.

To compute  $A_2$  we note that the set  $S_{A_2}$  in our version of Lagrange's interpolation is given

by  $S_{A_2} = \{(m_1, a_2^1), (m_2, a_2^2)\} = \{(5, 1), (7, 0)\}$ . Using this set we get:

$$\begin{aligned} A_2(x) &= a_2^1 \cdot \left(\frac{x-m_2}{m_1-m_2}\right) + a_2^2 \cdot \left(\frac{x-m_1}{m_2-m_1}\right) = 1 \cdot \left(\frac{x-7}{5-7}\right) + 0 \cdot \left(\frac{x-5}{7-5}\right) \\ &= \frac{x-7}{-2} = \frac{x-7}{11} && \# 11^{-1} = 6 \\ &= 6(x-7) = 6x+10 && \# -7 = 6 \text{ and } 6 \cdot 6 = 10 \end{aligned}$$

To compute  $A_5$ , we note that the set  $S_{A_5}$  in our version of Lagrange's method is given by  $S_{A_5} = \{(m_1, a_5^1), (m_2, a_5^2)\} = \{(5, 0), (7, 1)\}$ . Using this set we get:

$$\begin{aligned} A_5(x) &= a_5^1 \cdot \left(\frac{x-m_2}{m_1-m_2}\right) + a_5^2 \cdot \left(\frac{x-m_1}{m_2-m_1}\right) = 0 \cdot \left(\frac{x-7}{5-7}\right) + 1 \cdot \left(\frac{x-5}{7-5}\right) \\ &= \frac{x-5}{2} && \# 2^{-1} = 7 \\ &= 7(x-5) = 7x+4 && \# -5 = 8 \text{ and } 7 \cdot 8 = 4 \end{aligned}$$

Using Lagrange's interpolation, we can deduce that  $A_2 = B_3 = C_5$  as well as  $A_5 = B_4 = C_1$ , since they are polynomials of degree 1 that evaluate to the same values on 2 points. Using this, we get the following set of polynomials

$A_0(x) = 0$	$B_0(x) = 0$	$C_0(x) = 0$
$A_1(x) = 0$	$B_1(x) = 0$	$C_1(x) = 7x+4$
$A_2(x) = 6x+10$	$B_2(x) = 0$	$C_2(x) = 0$
$A_3(x) = 0$	$B_3(x) = 6x+10$	$C_3(x) = 0$
$A_4(x) = 0$	$B_4(x) = 7x+4$	$C_4(x) = 0$
$A_5(x) = 7x+4$	$B_5(x) = 0$	$C_5(x) = 6x+10$

We can use Sage to verify our computation. In Sage, every polynomial ring has a function `lagrange_polynomial` that takes the defining points as inputs and the associated Lagrange polynomial as output.

```

sage: F13 = GF(13)
sage: F13t.<t> = F13[]
sage: T = F13t((t-5)*(t-7))
sage: A2 = F13t.lagrange_polynomial([(5, 1), (7, 0)])
sage: A5 = F13t.lagrange_polynomial([(5, 0), (7, 1)])
sage: T == F13t(t^2 + t + 9)
True
sage: A2 == F13t(6*t + 10)
True
sage: A5 == F13t(7*t + 4)
True

```

Combining this computation with the target polynomial we derived earlier, a Quadratic Arithmetic Program associated to the Rank-1 Constraint System  $R_{3, fac\_zk}$  is given as follows:

$$\begin{aligned} QAP(R_{3, fac\_zk}) &= \{x^2 + x + 9, \\ &\quad \{0, 0, 6x+10, 0, 0, 7x+4\}, \{0, 0, 0, 6x+10, 7x+4, 0\}, \{0, 7x+4, 0, 0, 0, 6x+10\}\} \end{aligned}$$

*Exercise 102.* Consider the Rank-1 Constraint System for points on the Tiny-jubjub curve from example 121. Compute an associated QAP for this R1CS and double check your computation using sage.

### 6.2.3.2 QAP Satisfiability

One of the major points of Quadratic Arithmetic Programs in proving systems is that solutions of their associated Rank-1 Constraint Systems are in 1:1 correspondence with certain polynomials  $P$  divisible by the target polynomial  $T$  of the QAP. Verifying solutions to the R1CS and hence, checking proper circuit execution is then achievable by polynomial division of  $P$  by  $T$ .

To be more specific, let  $R$  be some Rank-1 Constraint System with associated variables  $(\langle I_1, \dots, I_n \rangle; \langle W_1, \dots, W_m \rangle)$  and let  $QAP(R)$  be a Quadratic Arithmetic Program of  $R$ . Then the string  $(\langle I_1, \dots, I_n \rangle; \langle W_1, \dots, W_m \rangle)$  is a solution to the R1CS if and only if the following polynomial is divisible by the target polynomial  $T$ :

$$P_{(I;W)} = (A_0 + \sum_j^n I_j \cdot A_j + \sum_j^m W_j \cdot A_{n+j}) \cdot (B_0 + \sum_j^n I_j \cdot B_j + \sum_j^m W_j \cdot B_{n+j}) - (C_0 + \sum_j^n I_j \cdot C_j + \sum_j^m W_j \cdot C_{n+j}) \quad (6.19)$$

To understand how Quadratic Arithmetic Programs define formal languages, observe that every QAP over a field  $\mathbb{F}$  defines a decision function over the alphabet  $\Sigma_I \times \Sigma_W = \mathbb{F} \times \mathbb{F}$  in the following way:

$$R_{QAP} : (\mathbb{F})^* \times (\mathbb{F})^* \rightarrow \{true, false\}; (I;W) \mapsto \begin{cases} true & P_{(I;W)} \text{ is divisible by } T \\ false & \text{else} \end{cases} \quad (6.20)$$

This means that every QAP defines a formal language  $L_{QAP}$ , and, if the QAP is associated to an R1CS, the language generated by the QAP and the language generated by the R1CS are equivalent. In the context of languages generated by Quadratic Arithmetic Programs, a **statement** is then a membership claim “There is a word  $(I;W)$  in  $L_{QAP}$ ”. A proof to this claim is therefore given by a polynomial  $P_{(I;W)}$ , which is verified by dividing  $P_{(I;W)}$  by  $T$ .

Note the structural similarities and differences in the definition of an R1CS and its associated language in 6.2.1.1, of circuits and their associated languages in 6.2.2 and of QAPs and their associated languages as explained in this part. For circuits and their associated Rank-1 Constraint Systems, a constructive proof consists of a valid assignment of field elements to the edges of the circuit, or the variables in the R1CS. However, in the case of QAPs, a valid proof consists of a polynomial  $P_{(I;W)}$ .

To compute a constructive proof for a statement in  $L_{QAP}$  given some instance  $I$ , a prover first needs to compute a constructive proof  $W$  of the associated R1CS, e.g. by executing the circuit of the R1CS. With  $(I;W)$  at hand, the prover can then compute the polynomial  $P_{(I;W)}$  and publish the polynomial as proof.

Verifying a constructive proof in the case of a circuit is achieved by executing the circuit and then by comparing the result against the given proof. Verifying the same proof in the R1CS picture means checking if the elements of the proof satisfy the R1CS equations. In contrast, verifying a proof in the QAP picture is done by polynomial division of the proof  $P$  by the target polynomial  $T$ . The proof is verified if and only if  $P$  is divisible by  $T$ .

*Example 132.* Consider the Quadratic Arithmetic Program  $QAP(R_{3.fac\_zk})$  from example 131 and its associated R1CS from equation 120. To give an intuition of how proofs in the language  $L_{QAP(R_{3.fac\_zk})}$  look like, let's consider the instance  $I_1 = 11$ . As we know from example 126,  $(W_1, W_2, W_3, W_5) = (2, 3, 4, 6)$  is a proper witness, since  $(\langle I_1 \rangle; \langle W_1, W_2, W_3, W_5 \rangle) = (\langle 11 \rangle; \langle 2, 3, 4, 6 \rangle)$  is a valid circuit assignment and hence, a solution to  $R_{3.fac\_zk}$  and a constructive proof for language  $L_{R_{3.fac\_zk}}$ .

In order to transform this constructive proof into a knowledge proof in language  $L_{QAP(R_{3.fac\_zk})}$ , a prover has to use the elements of the constructive proof, to compute the polynomial  $P_{(I;W)}$ .



In the case of  $(\langle I_1 \rangle; \langle W_1, W_2, W_3, W_5 \rangle) = (\langle 11 \rangle; \langle 2, 3, 4, 6 \rangle)$ , the associated proof is computed as follows:

$$\begin{aligned}
P_{(I;W)} &= (A_0 + \sum_j^n I_j \cdot A_j + \sum_j^m W_j \cdot A_{n+j}) \cdot (B_0 + \sum_j^n I_j \cdot B_j + \sum_j^m W_j \cdot B_{n+j}) - (C_0 + \sum_j^n I_j \cdot C_j + \sum_j^m W_j \cdot C_{n+j}) \\
&= (2(6x + 10) + 6(7x + 4)) \cdot (3(6x + 10) + 4(7x + 4)) - (11(7x + 4) + 6(6x + 10)) \\
&= ((12x + 7) + (3x + 11)) \cdot ((5x + 4) + (2x + 3)) - ((12x + 5) + (10x + 8)) \\
&= (2x + 5) \cdot (7x + 7) - (9x) \\
&= (x^2 + 2 \cdot 7x + 5 \cdot 7x + 5 \cdot 7) - (9x) \\
&= (x^2 + x + 9x + 9) - (9x) \\
&= x^2 + x + 9
\end{aligned}$$

Given instance  $I_1 = 11$  a prover therefore provides the polynomial  $x^2 + x + 9$  as proof. To verify this proof, any verifier can then look up the target polynomial  $T$  from the QAP and divide  $P_{(I;W)}$  by  $T$ . In this particular example,  $P_{(I;W)}$  is equal to the target polynomial  $T$ , and hence, it is divisible by  $T$  with  $P/T = 1$ . The verifier therefore verifies the proof.

```

sage: F13 = GF(13) 666
sage: F13t.<t> = F13[] 667
sage: T = F13t(t^2 + t + 9) 668
sage: P = F13t((2*(6*t+10)+6*(7*t+4))* (3*(6*t+10)+4*(7*t +4)) 669
- (11*(7*t+4)+6*(6*t+10)))
sage: P == T 670
True 671
sage: P % T # remainder 672
0 673

```

To give an example of a false proof, consider the string  $(\langle I_1 \rangle; \langle W_1, W_2, W_3, W_4 \rangle) = (\langle 11 \rangle; \langle 2, 3, 4, 8 \rangle)$ . Executing the circuit, we can see that this is not a valid assignment and not a solution to the R1CS, and hence, not a constructive knowledge proof in  $L_{3, fac\_zk}$ . However, a prover might use these values to construct a false proof  $P'_{(I;W)}$ :

$$\begin{aligned}
P'_{(I;W)} &= (A_0 + \sum_j^n I_j \cdot A_j + \sum_j^m W_j \cdot A_{n+j}) \cdot (B_0 + \sum_j^n I_j \cdot B_j + \sum_j^m W_j \cdot B_{n+j}) - (C_0 + \sum_j^n I_j \cdot C_j + \sum_j^m W_j \cdot C_{n+j}) \\
&= (2(6x + 10) + 8(7x + 4)) \cdot (3(6x + 10) + 4(7x + 4)) - (8(6x + 10) + 11(7x + 4)) \\
&= 8x^2 + 6
\end{aligned}$$

Given instance  $I_1 = 11$ , a prover therefore provides the polynomial  $8x^2 + 6$  as proof. To verify this proof, any verifier can look up the target polynomial  $T$  from the QAP and divide  $P'_{(I;W)}$  by  $T$ . However, polynomial division has the following remainder:

$$(8x^2 + 6)/(x^2 + x + 9) = 8 + \frac{5x + 12}{x^2 + x + 9}$$

This implies that  $P'_{(I;W)}$  is not divisible by  $T$ , and hence, the verifier does not verify the proof. Any verifier can therefore show that the proof is false.

```

sage: F13 = GF(13) 674
sage: F13t.<t> = F13[] 675
sage: T = F13t(t^2 + t + 9) 676

```

```
sage: P = F13t((2*(6*t+10)+8*(7*t+4))*(3*(6*t+10)+4*(7*t+4))- ( 677
      8*(6*t+10)+11*(7*t+4)))
sage: P == F13t(8*t^2 + 6) 678
True 679
sage: P % T # remainder 680
5*t + 12 681
```

# Chapter 7

## Circuit Compilers

As previously demonstrated in Chapter 6, statements in formal languages can be formalized as membership or knowledge claims, with algebraic circuits and Rank-1 Constraint Systems being two crucial means of defining these languages.

However, both algebraic circuits and Rank-1 Constraint Systems present substantial deviations from conventional programming paradigms and present difficulties for developers. The task of writing real-world applications as circuits and verifying them through Rank-1 Constraint Systems is as challenging as writing code in low-level languages such as assembly. To facilitate complex statement design, it is necessary to have a compiler framework that can translate high-level languages into arithmetic circuits and associated Rank-1 Constraint Systems.

These programming languages allow for more intuitive and efficient creation and testing of arithmetic circuits, freeing developers from the intricacies of R1CS representations. As a result, they can concentrate on the logic of the circuits they intend to build while the compiler handles the rest.

An additional benefit of R1CS compiling programming languages is that they can generate not only R1CS representations but also other programs that can efficiently compute the values of the circuit's assignment. This facilitates integration of the circuits into various platforms and environments, without the need to consider underlying implementation details.

As demonstrated in Chapter 6 through sections 6.2.1 and 6.2.2, both arithmetic circuits and Rank-1 Constraint Systems exhibit a modular property 6.2.1.3, allowing for synthesis of complex circuits from simpler ones. Many circuit/R1CS compilers adopt a basic approach of providing a library of atomic and simple circuits, with a means of combining these building blocks into more complex systems.

This chapter provides an overview of basic concepts in the field of circuit compilers, presenting a toy language which can be manually "compiled" into graphical representations of algebraic circuits and their associated Rank-1 Constraint Systems. The chapter then examines real-world compilers and the higher-level languages they support.

The chapter begins with a general introduction to the toy programming language and to the real world languages, followed by a discussion of atomic types such as booleans and unsigned integers. Control flow primitives, including the if-then-else conditional and the bounded loop, are then defined. The chapter concludes with a review of basic functionality primitives, such as elliptic curve cryptography, commonly referred to as "gadgets" in literature.

## 7.1 A Pen-and-Paper Language

To explain basic concepts of circuit compilers and their associated high-level languages, we derive an informal toy language and associated “brain-compiler” which we name PAPER (**Pen-And-Paper Execution Rules**). PAPER allows programmers to define statements in Rust-like pseudo-code. The language is inspired by `zokrates` and `circom`.

### 7.1.1 The Grammar

In PAPER, any statement is defined as an ordered list of functions, where any function has to be declared in the list before it is called in another function of that list. The last entry in a statement has to be a special function, called `main`. Functions take a list of typed parameters as inputs and compute a tuple of typed variables as output, where `type_functions` are special functions that define how to transform one type into another type, ultimately transforming any type into elements of the base field where the circuit is defined over.

Any statement is parameterized over the field that the circuit will be defined on, and has additional optional parameters of unsigned type, needed to define the size of arrays or the counter of bounded loops. The following definition makes the grammar of a statement precise using a command line language like description:

```
statement <Name> {F:<Field> [ , <N_1: unsigned>, ... ] } {
  [fn <Name>([<pub><Arg>:<Type>, ...]) -> (<Type>, ...){
    [let [pub] <Var>:<Type> ;... ]
    [let const <Const>:<Type>=<Value> ;... ]
    Var<== (fn ([<Arg>|<Const>|<Var>, ...]) | (<Arg>|<Const>|<Var>)) ;
    return (<Var>, ... ) ;
  } ;... ]
  fn main([<pub><Arg>:<Type>, ...]) -> (<Type>, ...){
    [let [pub] <Var>:<Type> ;... ]
    [let const <Const>:<Type>=<Value> ;... ]
    Var<== (fn ([<Arg>|<Const>|<Var>, ...]) | (<Arg>|<Const>|<Var>)) ;
    return (<Var>, ... ) ;
  } ;
}
```

Function arguments and variables are witness variables by default, but can be declared as instance by the `pub` specifier. Declaring arguments and variables as instances always overwrites any previous or conflicting witness declarations. Every argument, constant or variable has a type, and every type is defined as a function that transforms that type into another type. In order for a PAPER program to compile successfully, all type transformations must be composed in such a way that the final type is the base field where the circuit is defined over:

```
type_function <TYPE>( t1 : <TYPE_1>) -> TYPE_2{
  let t2: TYPE_2 <== fn(TYPE_1)
  return t2
}
```

Many real-world circuit languages are based on a similar, but of course more sophisticated approach than PAPER. The purpose of PAPER is to show basic principles of circuit compilers and their associated high-level languages.

*Example 133.* To get a better understanding of the grammar of PAPER, the following constitutes proper high-level code that follows the grammar of the PAPER language, assuming that all types

in that code have been defined elsewhere.

```
statement MOCK_CODE {F: F_43, N_1 = 1024, N_2 = 8} {
  fn foo(in_1 : F, pub in_2 : TYPE_2) -> F {
    let const c_1 : F = 0 ;
    let const c_2 : TYPE_2 = SOME_VALUE ;
    let pub out_1 : F ;
    out_1<== c_1 ;
    return out_1 ;
  } ;

  fn bar(pub in_1 : F) -> F {
    let out_1 : F ;
    out_1<==foo(in_1);
    return out_1 ;
  } ;

  fn main(in_1 : TYPE_1)->(F, TYPE_2){
    let const c_1 : TYPE_1 = SOME_VALUE ;
    let const c_2 : F = 2;
    let const c_3 : TYPE_2 = SOME_VALUE ;
    let pub out_1 : F ;
    let out_2 : TYPE_2 ;
    c_1 <== in_1 ;
    out_1 <== foo(c_2) ;
    out_2 <== TYPE_2 ;
    return (out_1,out_2) ;
  } ;
}
```

## 7.1.2 The Execution Phases

In contrast to normal executable programs, programs for circuit compilers have two modes of execution. The first mode, usually called the **setup phase**, is executed in order to generate the circuit and its associated Rank-1 Constraint System, the latter of which is then usually used as input to some zero-knowledge proof system as explained in 8.

The second mode of execution is usually called the **prover phase**. In this phase, some assignment to all instance variables of the circuit is usually given as input and the task of a prover is to compute a valid assignment to all witness variables of the circuit. Depending on the use case, this valid assignment is then either directly used as constructive proof for proper circuit execution or is transferred as input to the proof generation algorithm of some zero-knowledge proof system, where the full-sized, non hiding constructive proof is processed into a succinct proof with various levels of zero knowledge.

Modern circuit languages and their associated compilers abstract over those two phases and provide a unified **interphase** to the developer, who then writes a single program that can be used in both phases.

To give the reader a clear, conceptual distinction between the two phases, PAPER keeps them separated. PAPER-code can be “brain-compiled” during the **setup-phase** in a pen-and-paper approach into a graphical circuit representation. Once a circuit is derived, it can be executed in a **prover phase** to generate a valid assignment. The valid assignment is then interpreted

as a constructive proof for a knowledge claim in the associated language.

**7.1.2.0.1 The Setup Phase** In PAPER, the task of the setup phase is to compile code in the PAPER language into a visual representation of an algebraic circuit. Deriving the circuit from the code in a pen-and-paper style is what we call **brain-compiling**.

Given some statement description that adheres to the correct grammar, we start the graphical circuit compilation process with an empty circuit, compile the main function first and then inductively compile all other functions as they are called during the process.

For every function that we currently compile, we draw a box-node for every input argument, every variable and every constant of that function. If the node represents a variable, we label it with that variable's name, and if it represents a constant, we label it with that constant's value. We group arguments into a subgraph labeled "inputs" and return values into a subgraph labeled "outputs". We then group everything into a subgraph and label that subgraph with the function's name.

After this is done, we have to do a consistency and type check for every occurrence of the assignment operator `<==`. We have to ensure that the expression on the right side of the operator is well defined and that the types of both side match.

Then we compile the right side of every occurrence of the assignment operator `<==`. If the right side is a constant or variable defined in this function, we draw a dotted line from the box-node that represents the left side of `<==` to the box node that represents the right side of the same operator. If the right side represents an argument of that function we draw a line from the box-node that represents the left side of `<==` to the box node that represents the right side of the same operator.

If the right side of the `<==` operator is a function, we look into our database, find its associated circuit and draw it. If no circuit is associated to that function yet, we repeat the compilation process for that function, drawing edges from the function's argument to its input nodes and from the functions output nodes to the nodes on the right side of `<==`.

During that process, edge labels are drawn according to the defining rules of algebraic circuits from 6.2.2.1. If the associated variable represents a witness variable, we use the *W* label to indicate a witness, and if it represents a instance variable, we use the *I* label to indicate an instance. Variables are witnesses by default and the *pub* specifier indicates that the variable is an instance.

Once this is done, we compile all occurring types of all variables in a function, by compiling the `type_function` of each type. We do this inductively until we reach the type of the base field. Circuits have no notion of types, only of field elements; hence, every type needs to be compiled to the field type in a sequence of compilation steps.

The compilation stops once we have inductively replaced all functions by their circuits. The result is a circuit that contains many unnecessary box nodes. In a final **optimization step**, all box nodes that are directly linked to each other are collapsed into a single node, and all box nodes that represent the same constants are collapsed into a single node.

Of course, PAPER's brain-compiler is not properly defined in any formal manner. Its purpose is to highlight important steps that real-world compilers undergo in their setup phases.

*Example 134 (A trivial Circuit).* To give an intuition of how to write and compile circuits in the PAPER language, consider the following statement description:

```
statement trivial_circuit {F:F_13} {
  fn main{F}{in1 : F, pub in2 : F} -> (F,F){
    let const outc1 : F = 0 ;
    let const incl : F = 7 ;
```

```

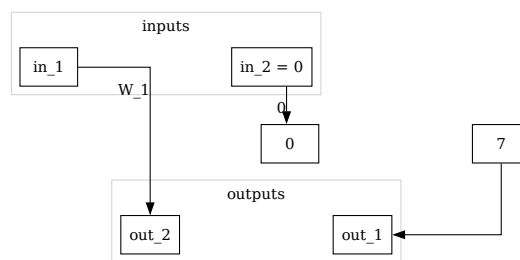
let out1 : F ;
let out2 : F ;
out1 <== incl;
out2 <== in1;
outc1 <== in2;
return (out1, out2) ;
}
}

```

To brain-compile this statement into an algebraic circuit with PAPER, we start with an empty circuit and evaluate function `main`, which is the only function in this statement.

We draw box-nodes for every argument, every constant and every variable of the function and label them with their names or values, respectively. Then we do a consistency and type check for every `<==` operator in the function. Since the circuit only wires inputs to outputs and all elements have the same type, the check is valid.

Then we evaluate the right side of the assignment operators. Since, in our case, the right side of each operator is not a function, we draw edges from the box-nodes on the right side to the associated box node on the left side. To label those edges, we use the general rules of algebraic circuits as defined in 6.2.2.1. According to those rules, every incoming edge of a sink node has a label and every outgoing edge of a source node has a label, if the node is labeled with a variable. Since nodes that represent constants are implicitly assumed to be private, and since the public specifier determines if an edge is labeled with  $W$  or  $I$ , we get the following circuit:



**7.1.2.0.2 The Prover Phase** In PAPER, a so-called **prover phase** can be executed once the setup phase has generated a graphic circuit representation from its associated high-level code. This is done by executing the circuit while assigning proper values to all input nodes of the circuit. However, in contrast to most real-world compilers, PAPER does not tell the prover how to find proper input values to a given circuit. Real-world programming languages usually provide this data by computations that are done outside of the circuit.

*Example 135.* Consider the circuit from example 127. Valid assignments to this circuit are constructive proofs that the pair of inputs  $\langle I_1, I_2 \rangle$  is a point on the tiny-jubjub curve. However, the circuit does not provide a way to actually compute proper values for  $I_1$  and  $I_2$ . Any real-world system therefore needs an auxiliary computation that provides those values.

## 7.2 Real World Circuit Languages

Programming languages that compile to rank-1 constraint systems are becoming increasingly popular in the fields of cryptography and blockchain. These languages provide a higher-level

abstraction for designing and implementing arithmetic circuits, which are fundamental building blocks in zero-knowledge proof systems. By using these programming languages, developers can focus on the logic of the circuits they want to build, while the compiler takes care of the low-level details of R1CS representations. Additionally, these languages can output not only the R1CS representation, but also other programs, that can efficiently compute all values of a valid circuit assignment.

### 7.2.1 Circom

Circom is a domain-specific programming language for designing arithmetic circuits. It is used to build circuits that can be compiled to rank-1 constraint systems and outputted as WebAssembly and C++ programs for efficient evaluation.

In this section, we will give examples of how to write basic circuits in Circom. We will use those examples then later to compute associated proof in snarkjs.

To understand circom, we first have to provide definitions for the terms **signals**, **templates**, and **components** to facilitate a better understanding of the examples discussed.

A **signal** refers to an element in the underlying finite field  $\mathbb{F}$  of a circuit. The arithmetic circuits created using Circom operate on signals, which are immutable and can be defined as inputs or outputs. Input signals are private, unless specified as public, and all output signals are publicly accessible. The remaining signals are private and cannot be made public. Public signals are part of the instance and private signals are part of the witness in any valid assignment of a circuit.

A **template** is an algorithm that creates generic circuits in Circom. The template is a new circuit object that can be utilized to construct other circuits.

**Components** define an arithmetic circuit by receiving input signals and producing output signals and intermediate signals, as well as a set of constraints. Components, like signals, are also immutable.

*Example 136.* As a demonstration of the generation of circuits in the Circom language, we revisit the trivial circuit from example 134 as previously defined in PAPER. The following code provides one representation of this circuit in the Circom language:

```
template trivial_circuit() {

    signal private input in1 ;
    signal private input in2 ;

    var outc1 = 0 ;
    var incl = 7 ;

    signal output out1 ;
    signal output out2 ;

    out2 <== in1 ;
    outc1 === in2 ;
}

component main = trivial_circuit() ;
```

It should be noted that the underlying field is not made explicit in Circom, thus the constants 0 and 7 have no immediate significance. To compile the Circom language into an R1CS repre-



sentation, the code must be saved as a text file. We refer to it as `trivial_circuit.circom`. This file can then be compiled using the following command:

```
circom trivial_circuit.circom --rlcs --wasm --sym
```

The Circom compiler generates three distinct files. The first file, `trivial_circuit.rlcs`, contains the R1CS constraint system of the circuit in a custom binary format. The second file, `trivial_circuit.wasm`, is a wasm code that computes a witness from a given instance, thereby yielding a solution to the R1CS. Finally, the third file, `trivial_circuit.sym`, is a symbols text file necessary for debugging or annotated printing of the constraint system.

*Example 137* (The 3-factorization problem in Circom). In this example we implement the 3-factorization problem 115 in Circom’s language and compile into an R1CS and statement generator. In order to show, how Circom handles modularity 6.1.3, we write the code as follows:

```
template Multiplier() {
    signal input a ;
    signal input b ;
    signal output c ;
    c <== a*b ;
}

template three_fac () {
    signal input x1 ;
    signal input x2 ;
    signal input x3 ;
    signal output x4 ;
    component mult1 = Multiplier() ;
    component mult2 = Multiplier() ;
    mult1.a <== x1 ;
    mult1.b <== x2 ;
    mult2.a <== mult1.c ;
    mult2.b <== x3 ;
    x4 <== mult2.c ;
}

component main = three_fac() ;
```

To compile this Circom implementation into an R1CS representation and statement generator, the code must be saved as a text file. We refer to it as `three_fac.circom`. This file can then be compiled using the following command:

```
circom three_fac.circom --rlcs --wasm --sym
```

Once the file is compiled, the `info` command can be used to print circuit stats, including the number of constraints:

```
snarkjs rlcs info circuit.rlcs
```

```
[INFO] snarkJS: Curve: bn-128
[INFO] snarkJS: # of Wires: 6
[INFO] snarkJS: # of Constraints: 2
[INFO] snarkJS: # of Private Inputs: 0
[INFO] snarkJS: # of Public Inputs: 3
```

```
[INFO] snarkJS: # of Labels: 11
[INFO] snarkJS: # of Outputs: 1
```

## 7.3 Common Programing concepts

In this section, we cover concepts that appear in almost every programming language, and see how they can be implemented in circuit compilers.

### 7.3.1 Primitive Types

Primitive data types like booleans, (unsigned) integers, or strings are the most basic building blocks one can expect to find in every general high-level programming language. In order to write statements as computer programs that compile into circuits, it is therefore necessary to implement primitive types as constraint systems, and define their associated operations as circuits.

In this section, we look at some common ways to achieve this. After a recapitulation of the atomic type for the base field where the circuit is defined on, we start with an implementation of the boolean type and its associated boolean algebra as circuits. After that, we define unsigned integers based on the boolean type, and leave the implementation of signed integers as an exercise to the reader.

#### 7.3.1.1 The base-field type

Since both algebraic circuits and their associated Rank-1 Constraint Systems are defined over a finite field, elements from that field are the atomic informational units in those models. In this sense, field elements  $x \in \mathbb{F}$  are for algebraic circuits what bits are for computers.

In PAPER, we write  $F$  for this type and specify the actual instance of the field type in curly brackets after the name of a given statement. Two functions are associated to this type, which are induced by the **addition** and **multiplication** law in the field  $F$ . We write

$$\text{MUL} : F \times F \rightarrow F ; (x, y) \mapsto \text{MUL}(x, y) \quad (7.1)$$

$$\text{ADD} : F \times F \rightarrow F ; (x, y) \mapsto \text{ADD}(x, y) \quad (7.2)$$

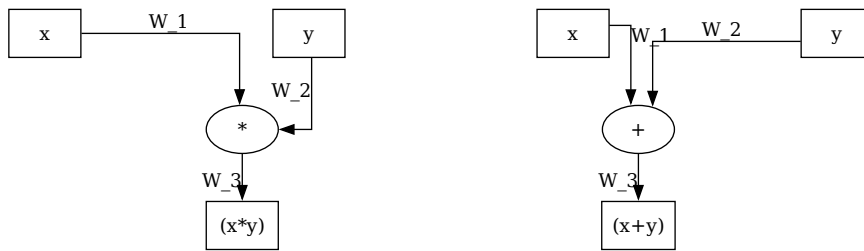
Circuit compilers have to compile these functions into arithmetic gates, as explained in 6.2.2.4. Every other function has to be expressed in terms of these two atomic functions.

To represent addition and multiplication in the PAPER language, we define the following two functions:

```
fn MUL(x : F, y : F) -> F{}
```

```
fn ADD(x : F, y : F) -> F{}
```

The compiler then compiles every occurrence of the MUL or the ADD function into the following graphical circuit representations:



*Example 138* (Basic gates). To give an intuition of how a real-world compiler might transform addition and multiplication in algebraic expressions into a circuit, consider the following PAPER statement:

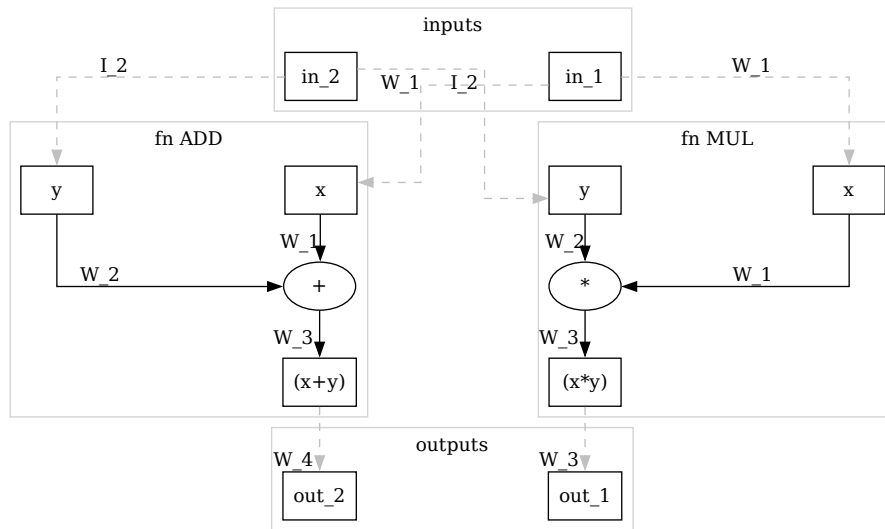
```
statement basic_ops {F:F_13} {
  fn main(in_1 : F, pub in_2 : F) -> (F, F){
    let out_1 : F ;
    let out_2 : F ;
    out_1 <== MUL(in_1, in_2) ;
    out_2 <== ADD(in_1, in_2) ;
    return (out_1, out_2) ;
  }
}
```

To compile this into an algebraic circuit, we start with an empty circuit and evaluate the function `main`, which is the only function in this statement. We draw an inputs subgraph containing box-nodes for every argument of the function, and an outputs subgraph containing box-nodes for every factor in the return value. Since all of these nodes represent variables of the `field` type, we don't have to add any type constraints to the circuit.

We check the validity of every expression on the right side of every `<==` operator including a type check. In our case, every variable is of the `field` type and hence the types match the types of the `MUL` as well as the `ADD` function and the type of the left sides of `<==` operators.

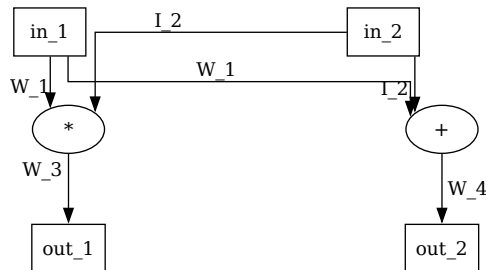
We evaluate the expressions on the right side of every `<==` operator inductively, replacing every occurrence of a function with a subgraph that represents its associated circuit.

According to PAPER, every occurrence of the instance specifier `pub` overwrites the associate witness default value. Using the appropriate edge labels we get:



Any real-world compiler might process its associated high-level language in a similar way, replacing functions, or gadgets by predefined associated circuits. This process is often followed by various optimization steps that try to reduce the number of constraints as much as possible.

In PAPER, we optimize this circuit by collapsing all box nodes that are directly connected to other box nodes, adhering to the rule that a variable's `pub` specifier overwrites any witness specifier. Reindexing edge labels, we get the following circuit as our pen and paper compiler output:



*Example 139* (3-factorization). Consider our 3-factorization problem from example 115 and the associated circuit  $C_{3, \text{fac\_zk}}(\mathbb{F}_{13})$  we provided in example 125. To understand the process of replacing high-level functions by their associated circuits inductively, we want define a PAPER statement that we brain-compile into an algebraic circuit equivalent to  $C_{3, \text{fac\_zk}}(\mathbb{F}_{13})$ :

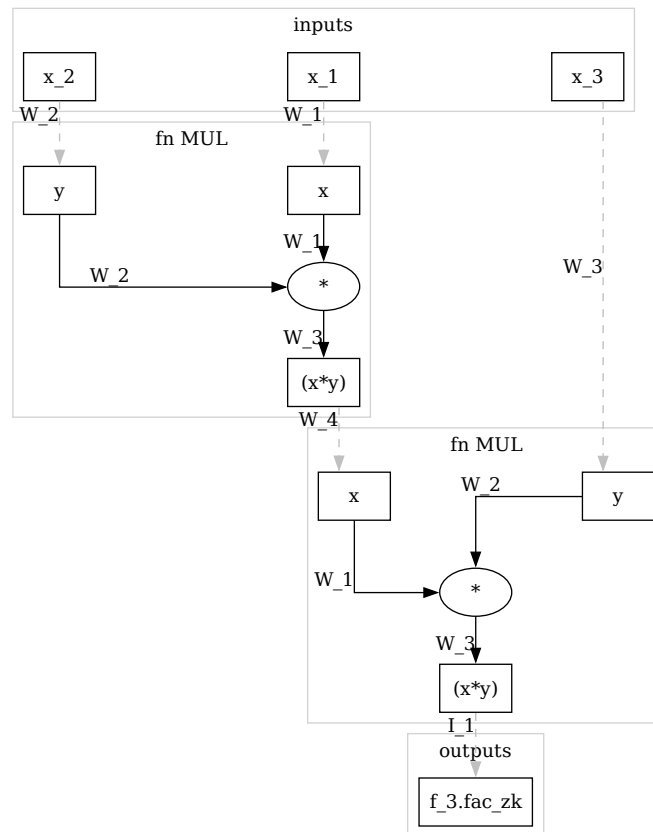
```
statement 3_fac_zk {F:F_13} {
  fn main(x_1 : F, x_2 : F, x_3 : F) -> F{
    let pub 3_fac_zk : F ;
    f_3.fac_zk <== MUL( MUL( x_1 , x_2 ) , x_3 ) ;
    return 3_fac_zk ;
  }
}
```

Using PAPER, we start with an empty circuit and then add 3 input nodes to the input subgraph as well as 1 output node to the output subgraph. All these nodes are decorated with the associated

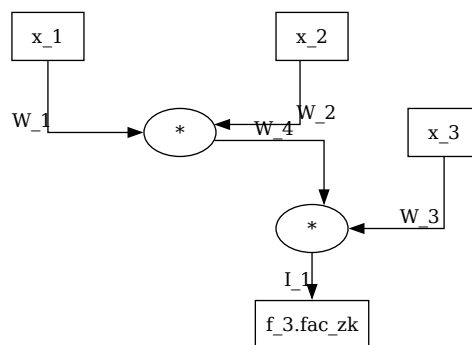
variable names. Since all of these nodes represent variables of the `field` type, we don't have to add any type constraints to the circuit.

We check the validity of every expression on the right side of the single `<==` operator including a type check.

We evaluate the expressions on the right side of every `<==` operator inductively. We have two nested multiplication functions and we replace them by the associated multiplication circuits, starting with the most outer function. We get:

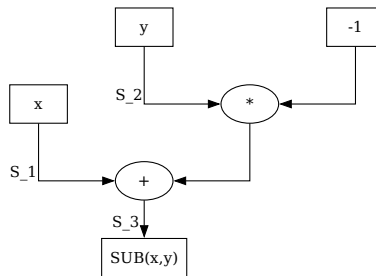


In a final optimization step, we collapse all box nodes directly connected to other box nodes, adhering to the rule that a variables `public` specifier overwrites any `private` specifier. Reindexing edge labels we get the following circuit:



**7.3.1.1.1 The Subtraction Constraint System** By definition, algebraic circuits only contain addition and multiplication gates, and it follows that there is no single gate for field subtraction, despite the fact that subtraction is a native operation in every field.

High-level languages and their associated circuit compilers, therefore, need another way to deal with subtraction. To see how this can be achieved, recall that subtraction is defined by addition with the additive inverse, and that the inverse can be computed efficiently by multiplication with  $-1$ . A circuit for field subtraction is therefore given by



Using the general method from 6.2.2.4, the circuits associated Rank-1 Constraint System is given by:

$$(S_1 + (-1) \cdot S_2) \cdot 1 = S_3 \quad (7.3)$$

Any valid assignment  $\langle S_1, S_2, S_3 \rangle$  to this circuit therefore enforces the value  $S_3$  to be the difference  $S_1 - S_2$ .

Real-world compilers usually provide a gadget or a function to abstract over this circuit such that programmers can use subtraction as if it were native to circuits. In PAPER, we define the following subtraction function that compiles to the previous circuit:

```
fn SUB(x : F, y : F) -> F{
  let rslt : F ;
  constant c : F = -1 ;
  rslt <== ADD(x , MUL( y , c) );
  return rslt ;
}
```

In the setup phase of a statement, we compile every occurrence of the SUB function into an instance of its associated subtraction circuit, and edge labels are generated according to the rules from 6.2.2.1.

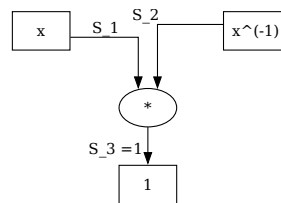
**7.3.1.1.2 The Inversion Constraint System** By definition, algebraic circuits only contain addition and multiplication gates, and it follows that there is no single gate for field inversion, despite the fact that inversion is a native operation in every field.

If the underlying field is a prime field, one approach would be to use Fermat's little theorem 3.17 to compute the multiplicative inverse inside the circuit. To see how this works, let  $\mathbb{F}_p$  be the prime field. The multiplicative inverse  $x^{-1}$  of a field element  $x \in \mathbb{F}$  with  $x \neq 0$  is then given by  $x^{-1} = x^{p-2}$ , and computing  $x^{p-2}$  in the circuit therefore computes the multiplicative inverse.

Unfortunately, real-world primes  $p$  are large and computing  $x^{p-2}$  by repeated multiplication of  $x$  with itself is infeasible. A "square and multiply" approach 5 is faster, as it computes the power in roughly  $\log_2(p)$  steps, but still adds a lot of constraints to the circuit.

Computing inverses in the circuit makes no use of the fact that inversion is a native operation in any field. A more constraints friendly approach is therefore to compute the multiplicative inverse outside of the circuit and then only enforce correctness of the computation in the circuit.

To understand how this can be achieved, observe that a field element  $y \in \mathbb{F}$  is the multiplicative inverse of a field element  $x \in \mathbb{F}$  if and only if  $x \cdot y = 1$  in  $\mathbb{F}$ . We can use this, and define a circuit that has two inputs,  $x$  and  $y$ , and enforces  $x \cdot y = 1$ . It is then guaranteed that  $y$  is the multiplicative inverse of  $x$ . The price we pay is that we can not compute  $y$  by circuit execution, but auxiliary data is needed to tell any prover which value of  $y$  is needed for a valid circuit assignment. The following circuit defines the constraint



Using the general method from 6.2.2.4, the circuit is transformed into the following Rank-1 Constraint System:

$$S_1 \cdot S_2 = 1 \quad (7.4)$$

Any valid assignment  $\langle S_1, S_2 \rangle$  to this circuit enforces that  $S_2$  is the multiplicative inverse of  $S_1$ , and, since there is no field element  $S_2$  such that  $0 \cdot S_2 = 1$ , it also handles the fact that the multiplicative inverse of 0 is not defined in any field.

Real-world compilers usually provide a gadget or a function to abstract over this circuit, and those functions compute the inverse  $x^{-1}$  as part of their witness generation process. Programmers then don't have to care about providing the inverse as auxiliary data to the circuit. In PAPER, we define the following inversion function that compiles to the previous circuit:

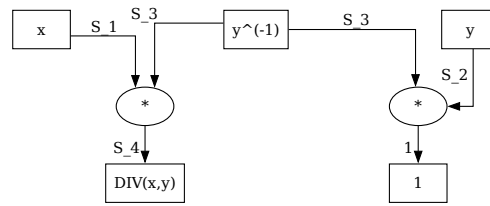
```
fn INV(x : F, y : F) -> F {
  let x_inv : F ;
  constant c : F = 1 ;
  c <== MUL( x , y ) ;
  x_inv <== y ;
  return x_inv ;
}
```

As we see, this functions takes two inputs, the field value and its inverse. It therefore does not handle the computation of the inverse by itself. This is to keep PAPER as simple as possible.

In the setup phase, we compile every occurrence of the INV function into an instance of the inversion circuit 7.3.1.1.2, and edge labels are generated according to the rules from 6.2.2.1.

**7.3.1.1.3 The Division Constraint System** By definition, algebraic circuits only contain addition and multiplication gates, and it follows that there is no single gate for field division, despite the fact that division is a native operation in every field.

Implementing division as a circuit, we use the fact that division is multiplication with the multiplicative inverse. We therefore define division as a circuit using the inversion circuit and constraint system from the previous paragraph. Expensive inversion is computed outside of the circuit and then provided as circuit input. We get



Using the method from 6.2.2.4, we transform this circuit into the following Rank-1 Constraint System:

$$\begin{aligned} S_2 \cdot S_3 &= 1 \\ S_1 \cdot S_3 &= S_4 \end{aligned}$$

Any valid assignment  $\langle S_1, S_2, S_3, S_4 \rangle$  to this circuit enforces  $S_4$  to be the field division of  $S_1$  by  $S_2$ . It handles the fact that division by 0 is not defined, since there is no valid assignment in case  $S_2 = 0$ .

In PAPER, we define the following division function that compiles to the previous circuit:

```
fn DIV(x : F, y : F, y_inv : F) -> F {
  let DIV : F ;
  DIV <== MUL( x , INV( y, y_inv ) ) ;
  return DIV
}
```

In the setup phase, we compile every occurrence of the binary DIV operator into an instance of the inversion circuit.

*Exercise 103.* Let  $F$  be the field  $\mathbb{F}_5$  of modular 5 arithmetics from example 16. Brain-compile the following PAPER statement into an algebraic circuit:

```
statement STUPID_CIRC {F: F_5} {
  fn foo(in_1 : F, in_2 : F)->(out_1 : F, out_2 : F,){
    constant c_1 : F = 3 ;
    out_1<== ADD( MUL( c_1 , in_1 ) , in_1 ) ;
    out_2<== INV( c_1 , in_2 ) ;
  } ;

  fn main(in_1 : F, in_2 : F)->(out_1 : F, out_2 : TYPE_2){
    constant (c_1,c_2) : (F,F) = (3,2) ;
    (out_1,out_2) <== foo(in_1, in_2) ;
  } ;
}
```

*Exercise 104.* Consider the tiny-jubjub curve from example 71 and its associated circuit 124. Write a statement in PAPER that brain-compiles the statement into a circuit equivalent to the one derived in 124, assuming that curve point is the instance and every other assignment is a witness.

*Exercise 105.* Let  $F = \mathbb{F}_{13}$  be the modular 13 prime field and  $x \in F$  some field element. Define a statement in PAPER such that given instance  $x$  a field element  $y \in F$  is a witness for the statement if and only if  $y$  is the square root of  $x$ .

Brain-compile the statement into a circuit and derive its associated Rank-1 Constraint System. Consider the instance  $x = 9$  and compute a constructive proof for the statement.



### 7.3.1.2 The boolean Type

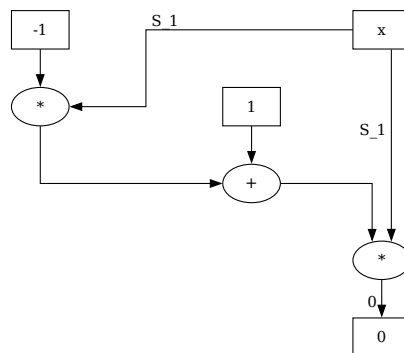
Booleans are a classical primitive type, implemented by virtually every higher programming language. It is therefore important to implement booleans in circuits. One of the most common ways to do this is by interpreting the additive and multiplicative neutral element  $\{0, 1\} \subset \mathbb{F}$  as the two boolean values such that 0 represents *false* and 1 represents *true*. Boolean operators like *and*, *or*, or *xor* are then expressible as algebraic circuits over  $\mathbb{F}$ .

Representing booleans this way is convenient, because the elements 0 and 1 are defined in any field. The representation is therefore independent of the actual field in consideration.

To fix boolean algebra notation, we write 0 to represent *false* and 1 to represent *true*, and we write  $\wedge$  to represent the boolean AND as well as  $\vee$  to represent the boolean OR operator. The boolean NOT operator is written as  $\neg$ .

**7.3.1.2.1 The boolean Constraint System** To represent booleans by the additive and multiplicative neutral elements of a field, a constraint is required to actually enforce variables of boolean type to be either 1 or 0. In fact, many of the following circuits that represent boolean functions are only correct under the assumption that their input variables are constrained to be either 0 or 1. Not constraining boolean variables is a common problem in circuit design.

In order to constrain an arbitrary field element  $x \in \mathbb{F}$  to be 1 or 0, the key observation is that the equation  $x \cdot (1 - x) = 0$  has only the two solutions 0 and 1 in any field. Implementing this equation as a circuit therefore generates the correct constraint:



Using the method from 6.2.2.4, we transform this circuit into the following Rank-1 Constraint System:

$$S_1 \cdot (1 - S_1) = 0$$

Any valid assignment  $\langle S_1 \rangle$  to label of this circuit therefore enforces  $S_1$  to be either the field element 0 or 1.

Some real-world circuit compilers (like ZOKRATES or BELLMAN) are typed, while others (like circom) are not. However, all of them have their way of dealing with the binary constraint. In PAPER, we define the boolean type by its type\_function that compiles to the previous circuit:

```
type_function BOOL(b : BOOL) -> F {
  let x : F ;
  let const c1 : F = 0 ;
  let const c2 : F = 1 ;
  tet const c3 : F = -1 ;
```

```

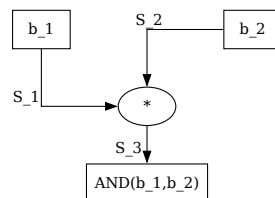
c1 <== MUL( b , ADD( c2 , MUL( b , c3 ) ) );
x <== b ;
return x ;
}

```

In the setup phase of a statement, we compile every occurrence of a variable of boolean type into an instance of its associated boolean circuit.

**7.3.1.2.2 The AND operator constraint system** Given two field elements  $b_1$  and  $b_2$  from  $\mathbb{F}$  that are constrained to represent boolean variables, we want to find a circuit that computes the logical **and** operator  $AND(b_1, b_2)$  as well as its associated R1CS that enforces  $b_1, b_2, AND(b_1, b_2)$  to satisfy the constraint system if and only if  $b_1 \wedge b_2 = AND(b_1, b_2)$  holds true.

The key insight here is that, given three boolean constraint variables  $b_1, b_2$  and  $b_3$ , the equation  $b_1 \cdot b_2 = b_3$  is satisfied in  $\mathbb{F}$  if and only if the equation  $b_1 \wedge b_2 = b_3$  is satisfied in boolean algebra. The logical operator  $\wedge$  is therefore implementable in  $\mathbb{F}$  by field multiplication of its arguments and the following circuit computes the  $\wedge$  operator in  $\mathbb{F}$ , assuming all inputs are restricted to be 0 or 1:



The associated Rank-1 Constraint System can be deduced from the general process 6.2.2.4 and consists of the following constraint:

$$S_1 \cdot S_2 = S_3 \quad (7.5)$$

Common circuit languages typically provide a gadget or a function to abstract over this circuit such that programmers can use the  $\wedge$  operator without caring about the associated circuit. In PAPER, we define the following function that compiles to the  $\wedge$ -operator's circuit:

```

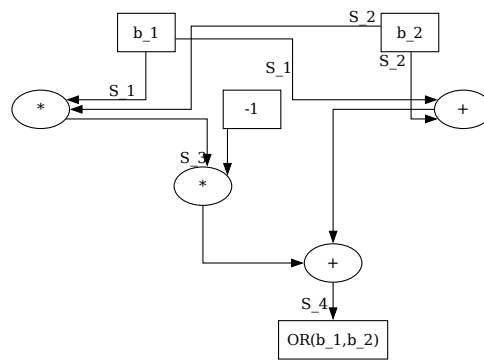
fn AND( b_1 : BOOL, b_2 : BOOL) -> BOOL{
  let AND : BOOL ;
  AND <== MUL( b_1 , b_2 ) ;
  return AND ;
}

```

In the setup phase of a statement, we compile every occurrence of the AND function into an instance of its associated  $\wedge$ -operator's circuit.

**7.3.1.2.3 The OR operator constraint system** Given two field elements  $b_1$  and  $b_2$  from  $\mathbb{F}$  that are constrained to represent boolean variables, we want to find a circuit that computes the logical **or** operator  $OR(b_1, b_2)$  as well as its associated R1CS that enforces  $b_1, b_2, OR(b_1, b_2)$  to satisfy the constraint system if and only if  $b_1 \vee b_2 = OR(b_1, b_2)$  holds true.

Assuming that three variables  $b_1, b_2$  and  $b_3$  are boolean constraint, the equation  $b_1 + b_2 - b_1 \cdot b_2 = b_3$  is satisfied in  $\mathbb{F}$  if and only if the equation  $b_1 \vee b_2 = b_3$  is satisfied in boolean algebra. The logical operator  $\vee$  is therefore implementable in  $\mathbb{F}$  by the following circuit, assuming all inputs are restricted to be 0 or 1:



The associated Rank-1 Constraint System can be deduced from the general process 6.2.2.4 and consists of the following constraints:

$$\begin{aligned} S_1 \cdot S_2 &= S_3 \\ (S_1 + S_2 - S_3) \cdot 1 &= S_4 \end{aligned} \quad (7.6)$$

Common circuit languages typically provide a gadget or a function to abstract over this circuit such that programmers can use the  $\vee$  operator without caring about the associated circuit. In PAPER, we define the following function that compiles to the  $\vee$ -operator's circuit:

```
fn OR(b_1 : BOOL, b_2 : BOOL) -> BOOL {
  let OR : BOOL ;
  let const c1 : F = -1 ;
  OR <== ADD(ADD(b_1, b_2), MUL(c1, MUL(b_1, b_2))) ;
  return OR ;
}
```

In the setup phase of a statement, we compile every occurrence of the OR function into an instance of its associated  $\vee$ -operator's circuit.

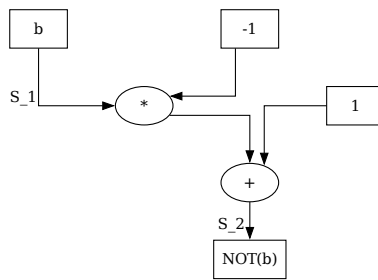
*Exercise 106.* Let  $\mathbb{F}$  be a finite field and let  $b_1$  as well as  $b_2$  two boolean constrained variables from  $\mathbb{F}$ . Show that the equation  $OR(b_1, b_2) = 1 - (1 - b_1) \cdot (1 - b_2)$  holds true.

Use this equation to derive an algebraic circuit with ingoing variables  $b_1$  and  $b_2$  and outgoing variable  $OR(b_1, b_2)$  such that  $b_1$  and  $b_2$  are boolean constrained and the circuit has a valid assignment, if and only if  $OR(b_1, b_2) = b_1 \vee b_2$ .

Use the technique from 6.2.2.4 to transform this circuit into a Rank-1 Constraint System and find its full solution set. Define a PAPER function that brain-compiles into the circuit.

**7.3.1.2.4 The NOT operator constraint system** Given a field element  $b$  from  $\mathbb{F}$  that is constrained to represent a boolean variable, we want to find a circuit that computes the logical NOT operator  $NOT(b)$  as well as its associated R1CS that enforces  $b, NOT(b)$  to satisfy the constraint system if and only if  $\neg b = NOT(b)$  holds true.

Assuming that two variables  $b_1$  and  $b_2$  are boolean constrained, the equation  $(1 - b_1) = b_2$  is satisfied in  $\mathbb{F}$  if and only if the equation  $\neg b_1 = b_2$  is satisfied in boolean algebra. The logical operator  $\neg$  is therefore implementable in  $\mathbb{F}$  by the following circuit, assuming all inputs are restricted to be 0 or 1:



The associated Rank-1 Constraint System can be deduced from the general process 6.2.2.4 and consists of the following constraints

$$(1 - S_1) \cdot 1 = S_2$$

Common circuit languages typically provide a gadget or a function to abstract over this circuit such that programers can use the  $\neg$  operator without caring about the associated circuit. In PAPER, we define the following function that compiles to the  $\neg$ -operator's circuit:

```
fn NOT(b : BOOL -> BOOL){
  let NOT : BOOL ;
  let const c1 = 1 ;
  let const c2 = -1 ;
  NOT <== ADD( c1 , MUL( c2 , b) ) ;
  return NOT ;
}
```

In the setup phase of a statement, we compile every occurrence of the NOT function into an instance of its associated  $\neg$ -operator's circuit.

*Exercise 107.* Let  $\mathbb{F}$  be a finite field. Derive algebraic circuits and associated Rank-1 Constraint Systems for the following operators: NOR, XOR, NAND, EQU.

**7.3.1.2.5 Modularity** As we have seen in chapter 6, both algebraic circuits and RICS have a modularity property, and as we have seen in this section, all basic boolean functions are expressible in circuits. Combining those two properties shows that it is possible to express arbitrary boolean functions as algebraic circuits.

The expressiveness of algebraic circuits and therefore Rank-1 Constraint Systems is as general as the expressiveness of boolean circuits. An important implication is that the languages  $L_{RICS-SAT}$  and  $L_{Circuit-SAT}$  as defined in 4 and 6.2.2.3, are as general as the famous language  $L_{3-SAT}$ , which is known to be  $\mathcal{NP}$ -complete.

*Example 140.* To give an example of how a compiler might construct complex boolean expressions in algebraic circuits from simple ones and how we derive their associated Rank-1 Constraint Systems, let's look at the following PAPER statement:

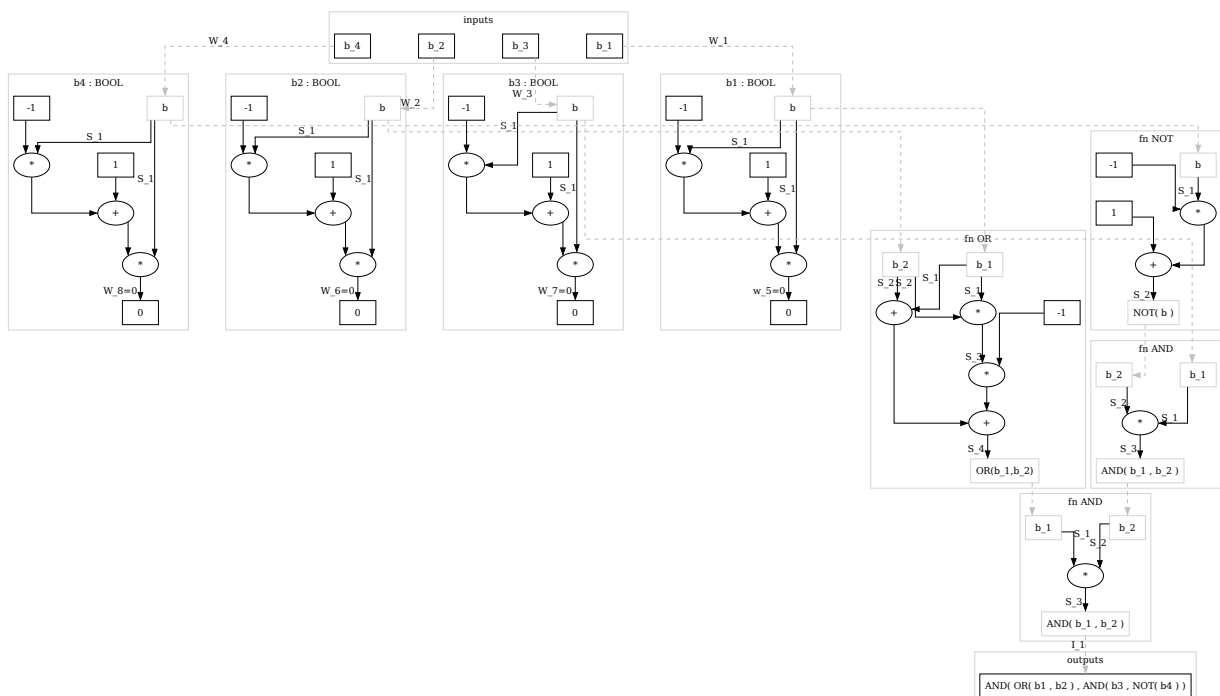
```
statement BOOLEAN_STAT {F: F_p} {
  fn main(b_1:BOOL,b_2:BOOL,b_3:BOOL,b_4:BOOL )-> BOOL {
    let pub b_5 : BOOL ;
    b_5 <== AND( OR( b_1 , b_2) , AND( b_3 , NOT( b_4) ) ) ;
    return b_5 ;
  } ;
}
```

The code describes a circuit that takes four witness input variables  $b_1, b_2, b_3$  and  $b_4$  of boolean type and computes an instance variable output  $b_5$  such that the following boolean expression holds true:

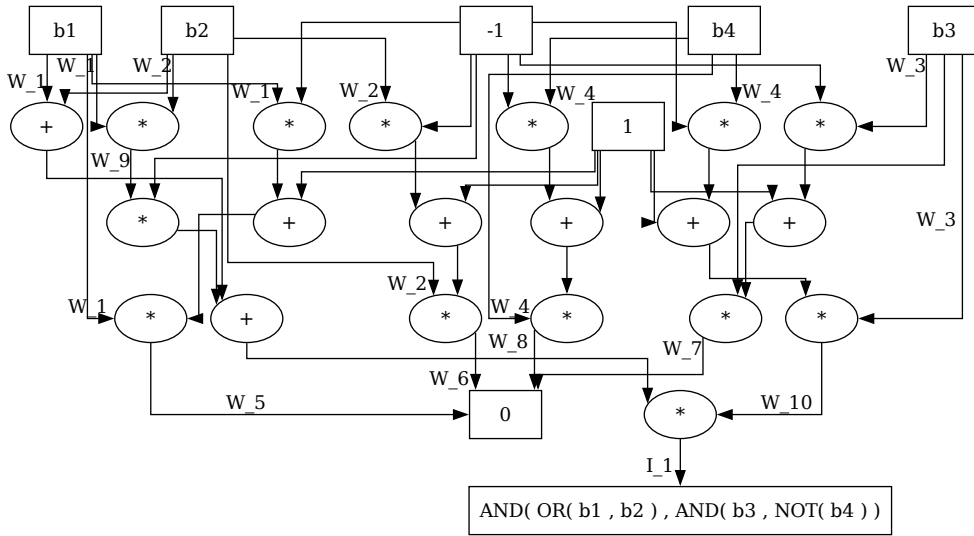
$$(b_1 \vee b_2) \wedge (b_3 \wedge \neg b_4) = b_5$$

During a setup-phase, a circuit compiler transforms this high-level language statement into a circuit and associated Rank-1 Constraint Systems and hence defines a language  $L_{BOOLEAN\_STAT}$ .

To see how this might be achieved, we use PAPER as an example to execute the setup-phase and compile `BOOLEAN_STAT` into a circuit. Taking the definition of the boolean constraint 7.3.1.2.1 as well as the definitions of the appropriate boolean operators into account, we get the following circuit:



Simple optimization then collapses all box-nodes that are directly linked and all box nodes that represent the same constants. After relabeling the edges, the following circuit represents the circuit associated to the `BOOLEAN_STAT` statement:



Given some instance variable  $I_1$  from  $\mathbb{F}_{13}$ , a valid assignment to this circuit consists of witness variables  $W_1, W_2, W_3, W_4$  from  $\mathbb{F}_{13}$  such that the equation  $I_1 = (W_1 \vee W_2) \wedge (W_3 \wedge \neg W_4)$  holds true. In addition, a valid assignment also has to contain witness variables  $W_5, W_6, W_7, W_8, W_9$  and  $W_{10}$ , which can be derived from circuit execution. The variables  $W_5, \dots, W_8$  ensure that the first four witnesses are constrained to be either 0 or 1 but not any other field element, and the others enforce the boolean operations in the expression.

To compute the associated RICS, we can use the general method from 6.2.2.4 and look at every labeled outgoing edge not coming from a source node in the optimized circuit. We declare the edge going to the single output node as instance, and every other edge as witness. In this case we get:

$$\begin{array}{ll}
 W_5 : W_1 \cdot (1 - W_1) = 0 & \text{boolean constraints} \\
 W_6 : W_2 \cdot (1 - W_2) = 0 & \\
 W_7 : W_3 \cdot (1 - W_3) = 0 & \\
 W_8 : W_4 \cdot (1 - W_4) = 0 & \\
 W_9 : W_1 \cdot W_2 = W_9 & \text{first OR-operator constraint} \\
 W_{10} : W_3 \cdot (1 - W_4) = W_{10} & \text{AND(.,NOT(.))-operator constraints} \\
 I_1 : (W_1 + W_2 - W_9) \cdot W_{10} = I_1 & \text{AND-operator constraints}
 \end{array}$$

The reason why this RICS only contains a single constraint for the multiplication gate in the OR-circuit, while the general definition 7.3.1.2.3 requires two constraints, is that the second constraint in 7.6 only appears because the final addition gate is connected to an output node. In this case, however, the final addition gate from the OR-circuit is enforced in the left factor of the  $I_1$  constraint. Something similar holds true for the negation circuit.

During a prover-phase, some public instance  $I_5$  must be given. To compute a constructive proof for the statement of the associated languages with respect to instance  $I_5$ , a prover has to find four boolean values  $W_1, W_2, W_3$  and  $W_4$  such that

$$(W_1 \vee W_2) \wedge (W_3 \wedge \neg W_4) = I_5$$

holds true. In our case neither the circuit nor the PAPER statement specifies how to find those values, and it is a problem that any prover has to solve outside of the circuit. This might or might not be true for other problems, too. In any case, once the prover found those values, they can execute the circuit to find a valid assignment.

To give a concrete example, let  $I_1 = 1$  and assume  $W_1 = 1$ ,  $W_2 = 0$ ,  $W_3 = 1$  and  $W_4 = 0$ . Since  $(1 \vee 0) \wedge (1 \wedge \neg 0) = 1$ , those values satisfy the problem and we can use them to execute the circuit. We get

$$\begin{aligned} W_5 &= W_1 \cdot (1 - W_1) = 0 \\ W_6 &= W_2 \cdot (1 - W_2) = 0 \\ W_7 &= W_3 \cdot (1 - W_3) = 0 \\ W_8 &= W_4 \cdot (1 - W_4) = 0 \\ W_9 &= W_1 \cdot W_2 = 0 \\ W_{10} &= W_3 \cdot (1 - W_4) = 1 \\ I_1 &= (W_1 + W_2 - W_9) \cdot W_{10} = 1 \end{aligned}$$

A constructive proof of knowledge of a witness, for instance,  $I_1 = 1$ , is therefore given by the string  $\pi = \langle W_5, W_6, W_7, W_8, W_9, W_{10} \rangle = \langle 0, 0, 0, 0, 0, 1 \rangle$ .

### 7.3.1.3 Arrays

The array type represents a fixed-size collection of elements of equal type, each selectable by one or more indices that can be computed at run time during program execution.

Arrays are a classical type, implemented by many higher programing languages that compile to circuits or Rank-1 Constraint Systems. However, most high-level circuit languages support **static** arrays, i.e., arrays whose length is known at compile time only.

The most common way to compile arrays to circuits is to transform any array of a given type  $\tau$  and size  $N$  into  $N$  circuit variables of type  $\tau$ . Arrays are therefore **syntactic sugar**, with the purpose to make code easier for humans to read, and write. In PAPER, we define the following array type\_function:

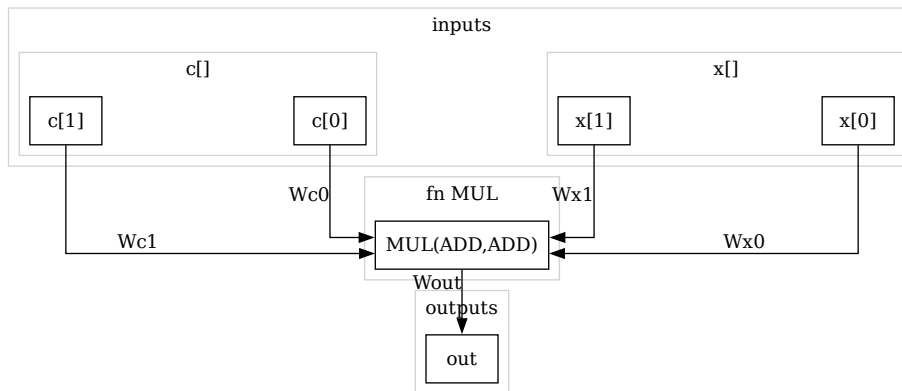
```
type_function <Name>: <Type>[N : unsigned] -> (Type, ...) {
  return (<Name>[0], ...)
}
```

In the setup phase of a statement, we compile every occurrence of an array of size  $N$  that contains elements of type  $\text{Type}$  into  $N$  variables of type  $\text{Type}$ .

*Example 141.* To give an intuition of how a real-world compiler might transform arrays into circuit variables, consider the following PAPER statement:

```
statement ARRAY_TYPE {F: F_5} {
  fn main(x: F[2]) -> F {
    let constant c: F[2] = [2, 4] ;
    let out : F <== MUL(ADD(x[1], c[0]), ADD(x[0], c[1])) ;
    return out ;
  } ;
}
```

During a setup phase, a circuit compiler might then replace any occurrence of the array type by a tuple of variables of the underlying type, and then use those variables in the circuit synthesis process instead. To see how this can be achieved, we use PAPER as an example. Abstracting over the sub-circuit of the computation, we get the following circuit:



### 7.3.1.4 The Unsigned Integer Type

Unsigned integers of size  $N$ , where  $N$  is usually a power of two, represent non-negative integers in the range  $0 \dots 2^N - 1$ . They have a notion of addition, subtraction and multiplication, defined by modular  $2^N$  arithmetics. If some  $N$  is given, we write  $uN$  for the associated type.

**7.3.1.4.1 The  $uN$  Constraint System** Many high-level circuit languages define the various  $uN$  types as arrays of size  $N$ , where each element is of boolean type. This parallels their representation on common computer hardware and allows for efficient and straightforward definition of common operators, like the various shift operators, or the logical operators.

Assuming that some unsigned integer  $N$  is known at compile time in PAPER, we define the following  $uN$  type\_function, which casts an unsigned integer into an array of boolean variables:

```
type_function uN -> BOOL[N] {
  let base2 : BOOL[N] ;
  base2[0] <== uN[0] ;
  base2[1] <== uN[1] ;
  ...
  base2[N] <== uN[N] ;
  return base2 ;
}
```

To enforce an  $N$ -tuple of field elements  $\langle b_0, \dots, b_{N-1} \rangle$  to represent an element of type  $uN$  we therefore need  $N$  boolean constraints

$$\begin{aligned}
 S_0 \cdot (1 - S_0) &= 0 \\
 S_1 \cdot (1 - S_1) &= 0 \\
 &\dots \\
 S_{N-1} \cdot (1 - S_{N-1}) &= 0
 \end{aligned}$$

*Remark 6.* Representing the  $uN$  type as boolean arrays is conceptually clean and works over generic base fields. However, representing unsigned integers in this way requires a lot of space as every bit is represented as a field element and if the base field is large, those field elements require considerable space in hardware.

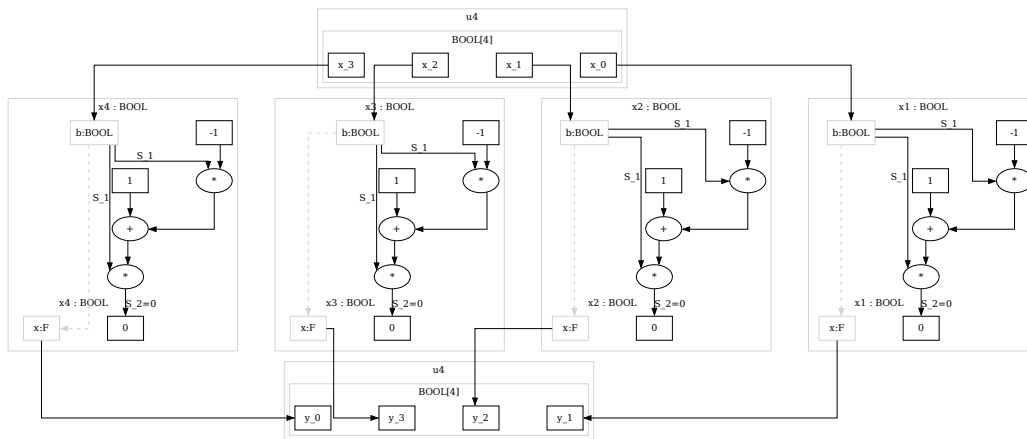


It should be noted that, in some cases, there is another, more space- and Constraint System efficient approach for representing unsigned integers that can be used whenever the underlying base field is sufficiently large. To understand this, recall that addition and multiplication in a prime field  $\mathbb{F}_p$  is equal to addition and multiplication of integers, as long as the sum or the product does exceed neither the modulus  $p$  of the base field nor the modulus  $2^N$  of the unsigned integer type. Under those limitations it is possible to represent the  $uN$  type inside the base-field type whenever  $N$  is small enough. This however is not safe and care has to be taken to never overflow any of those moduli, or underflow 0.

*Example 142.* To give an intuition of how a real-world compiler might transform unsigned integers into circuit variables, consider the following PAPER statement, which implement the classical ring-shift operator on the  $u4$  type as a circuit:

```
statement RING_SHIFT{F: F_p, N=4} {
  fn main(x: uN)-> uN {
    let y : uN ;
    y <== [x[1],x[2],x[3],x[0]] ;
    return y ;
  } ;
}
```

During the setup-phase, a circuit compiler might then replace any occurrence of the  $uN$  type by  $N$  variables of `boolean` type. Using the definition of booleans, each of these variables is then transformed into the `field` type and a boolean constraint system. To see how this can be achieved, we use PAPER as an example and get the following circuit:



During the prover phase, the function `main` is called with an actual input of  $u4$  type, say  $x=14$ . The Prover then has to transform the decimal value 14 into its 4-bit binary representation  $Bits(14)_2 = \langle 0, 1, 1, 1 \rangle$  outside of the circuit. Then the array of field values  $x[4] = [0, 1, 1, 1]$  is used as an input to the circuit. Since all 4 field elements are either 0 or 1, the four boolean constraints are satisfied and the output is a ring shift of the input array of the four field elements given by  $[1, 1, 1, 0]$ , which represents the  $u4$  element 7.

**7.3.1.4.2 The Unsigned Integer Operators** Since elements of  $uN$  type are represented as boolean arrays, shift operators are implemented in circuits simply by rewiring the boolean input variables to the output variables accordingly.

Logical operators, like AND, OR, or NOT are defined on the  $uN$  type by invoking the appropriate boolean operators bitwise to every bit in the boolean array that represents the  $uN$  element.

Addition and multiplication can be represented similarly to how machines represent those operations. Addition can be implemented by first defining the **full adder** circuit and then combining  $N$  of these circuits into a circuit that adds two elements from the  $uN$  type.

*Exercise 108.* Let  $F = \mathbb{F}_{13}$  and  $N=4$  be fixed and let  $x$  be of  $uN$  type. Define circuits and associated R1CS for the left and right bit-shift operators  $x \ll 2$  as well as  $x \gg 2$ . Execute the associated circuit for  $x : u4 = 11$  and generate a constructive proof for R1CS satisfiability.

*Exercise 109.* Let  $F = \mathbb{F}_{13}$  and  $N=2$  be fixed. Define a circuit and associated R1CS for the addition operator  $ADD : uN \times uN \rightarrow uN$ . Execute the associated circuit to compute  $ADD(2, 7)$  for  $2, 7 \in uN$ .

*Exercise 110.* Execute the setup phase for the following PAPER code (That is brain compile the code into a circuit and derive the associated R1CS).

```
statement MASK_MERGE {F:F_5, N=4} {
  fn main(pub a : uN, pub b : uN) -> uN {
    let constant mask : uN = 10 ;
    let r : uN ;
    r <== XOR(a, AND(XOR(a, b), mask)) ;
    return r ;
  }
}
```

Let  $L_{mask\_merge}$  be the language defined by the circuit. Provide a constructive knowledge proof in  $L_{mask\_merge}$  for the instance  $I = (I_a, I_b) = (14, 7)$ .

## 7.3.2 Control Flow

Most programming languages of the imperative or functional style have some notion of basic control structures to direct the order in which instructions are evaluated. Contemporary circuit compilers usually provide a single thread of execution and provide basic flow constructs that implement control flow in circuits. In this part we look at some basic control flow constructions and their implementation in circuits.

### 7.3.2.1 The Conditional Assignment

Writing high-level code that compiles to circuits, it is often necessary to have a way for conditional assignment of values or computational output to variables. One way to realize this in many programming languages is in terms of the conditional ternary assignment operator  $?:$  that branches the control flow of a program according to some condition and then assigns the output of the computed branch to some variable:

```
variable = condition ? value_if_true : value_if_false
```

In this description, `condition` is a boolean expression and `value_if_true` as well as `value_if_false` are expressions that evaluate to the same type as `variable`.

In programming languages like Rust, another way to write the conditional assignment operator that is more familiar to many programmers is given by

```
variable = if condition then {
  value_if_true
```

```

} else {
  value_if_false
}

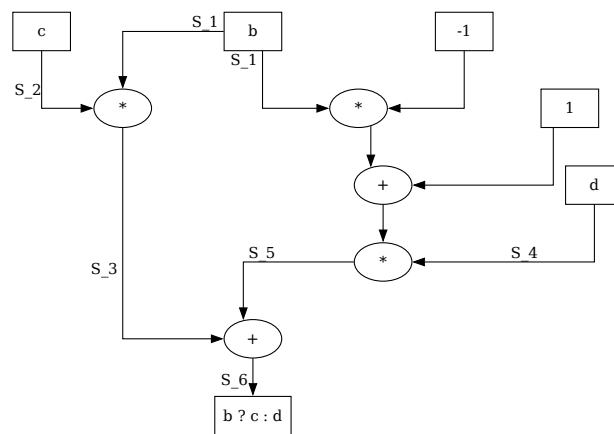
```

In most programming languages, it is a key property of the ternary assignment operator that the expression `value_if_true` is only evaluated if `condition` evaluates to true and the expression `value_if_false` is only evaluated if `condition` evaluates to false. In fact, computer programs would turn out to be very inefficient if the ternary operator would evaluate both expressions regardless of the value of `condition`.

A simple way to implement conditional assignment operator as a circuit can be achieved if the requirement that only one branch of the conditional operator is executed is dropped. To see that, let  $b$ ,  $c$  and  $d$  be field elements such that  $b$  is boolean constrained. In this case, the following equation enforces a field element  $x$  to be the result of the conditional assignment operator:

$$x = b \cdot c + (1 - b) \cdot d \quad (7.7)$$

Expressing this equation in terms of the addition and multiplication operators from 7.3.1.1, we can flatten 7.7 into the following algebraic circuit:



Note that, in order to compute a valid assignment to this circuit, both  $S_2$  as well as  $S_4$  are necessary. If the inputs to the nodes  $c$  and  $d$  are circuits themselves, both circuits need valid assignments and therefore have to be executed. As a consequence, this implementation of the conditional assignment operator has to execute all branches of all circuits, which is very different from the execution of common computer programs and contributes to the increased computational effort any prover has to invest, in contrast to the execution in other programming models.

We can use the general technique from 6.2.2.4 to derive the associated Rank-1 Constraint System of the conditional assignment operator. We get the following:

$$\begin{aligned}
 S_1 \cdot S_2 &= S_3 \\
 (1 - S_1) \cdot S_4 &= S_5 \\
 (S_3 + S_5) \cdot 1 &= S_6
 \end{aligned}$$

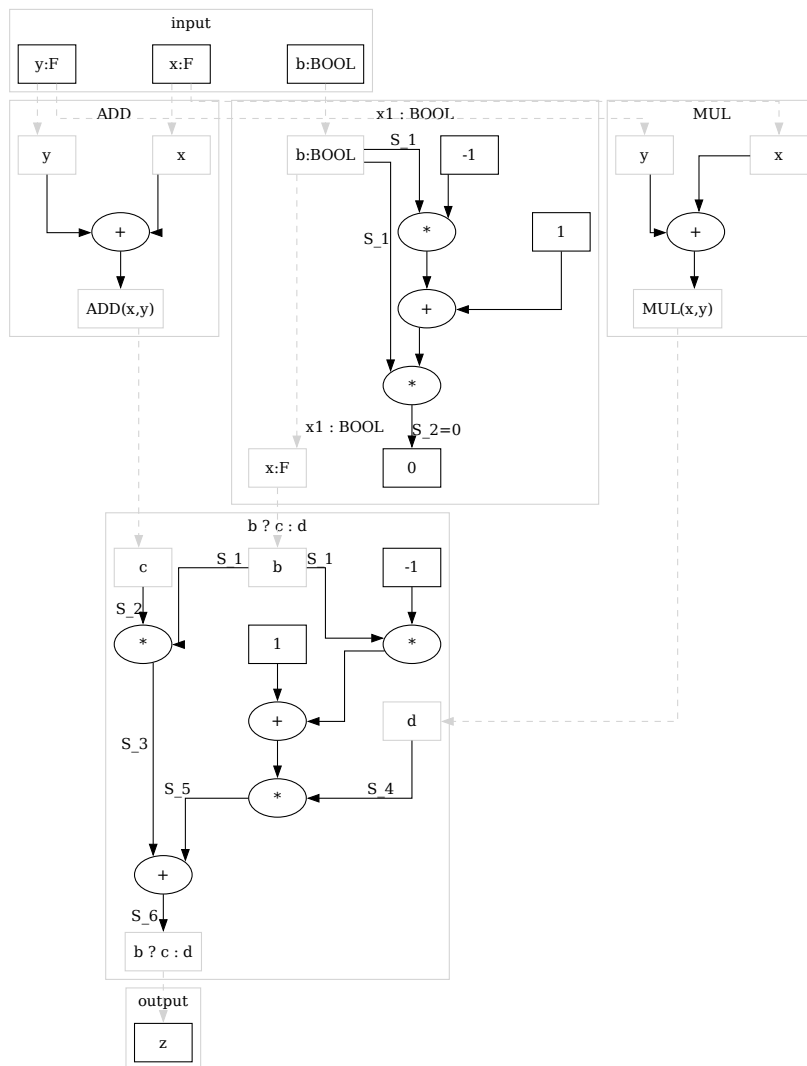
*Example 143.* To give an intuition of how a real-world circuit compiler might transform any high-level description of the conditional assignment operator into a circuit, consider the following PAPER code:

```

statement CONDITIONAL_OP {F:F_p} {
  fn main(x : F, y : F, b : BOOL) -> F {
    let z : F
    z <== if b then {
      ADD(x,y)
    } else {
      MUL(x,y)
    } ;
    return z ;
  }
}

```

Brain-compiling this code into a circuit, we first draw box nodes for all input and output variables, and then transform the boolean type into the field type together with its associated constraint. Then we evaluate the assignments to the output variables. Since the conditional assignment operator is the top level function, we draw its circuit and then draw the circuits for both conditional expressions. We get the following:



### 7.3.2.2 Loops

In many programming languages, various loop control structures are defined that allow developers to execute expressions with a specified number of repetitions. In particular, it is often possible to implement unbounded loops like the loop structure give below:

```
while true do { }
```

In addition it is often possible to implement loop structures, where the number of execution steps in the loop depends on execution inputs or intermediate computational steps and is therefore unknown at compile time:

```
x = 0.5
while x != 0 do {
  x = 4*x*(1-x)
}
```

In contrast to this, algebraic circuits and Rank-1 Constraint Systems are not general enough to express arbitrary computation, but bounded computation only. As a consequence, it is not possible to implement unbounded loops, or loops with bounds that are unknown at compile time in those models. This can be easily seen since circuits are acyclic by definition, and implementing an unbounded loop as an acyclic graph requires a circuits of unbounded size. However, circuits are general enough to express bounded loops, where the upper bound on its execution is known at compile time. Those loop can be implemented in circuits by unrolling the loop.

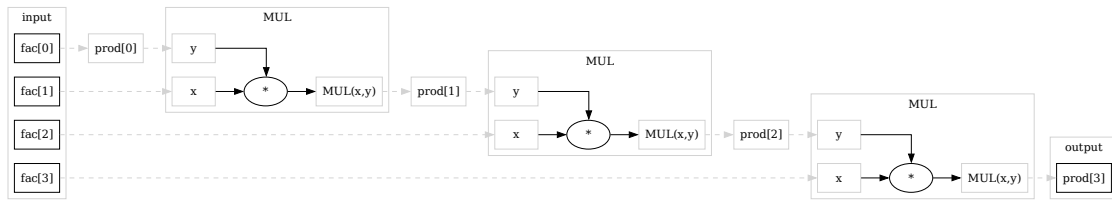
As a consequence, any programing language that compiles to algebraic circuits can only provide loop structures where the bound is a constant known at compile time. This implies that loops cannot depend on execution inputs, but on compile time parameters only.

*Example 144.* To give an intuition of how a real-world circuit compiler might transform any high-level description of a bounded `for` loop into a circuit, consider the following PAPER code:

```
statement FOR_LOOP {F:F_p, N: unsigned = 4} {
  fn main(fac : F[N]) -> F {
    let prod[N] : F ;
    prod[0] <== fac[0] ;
    for unsigned i in 1..N do [{
      prod[i] <== MUL(fac[i], prod[i-1]) ;
    }]
    return prod[N] ;
  }
}
```

Note that, in a program like this, the loop counter `i` has no expression in the derived circuit. It is a high level parameter that tells the compiler how to unroll the loop.

Brain-compiling this code into a circuit, we first draw box nodes for all input and output variables, noting that the loop counter is not represented in the circuit. Since all variables are of `field` type, we don't have to compile any type constraints. Then we evaluate the assignments to the output variables by unrolling the loop into 3 individual assignment operators. We get:



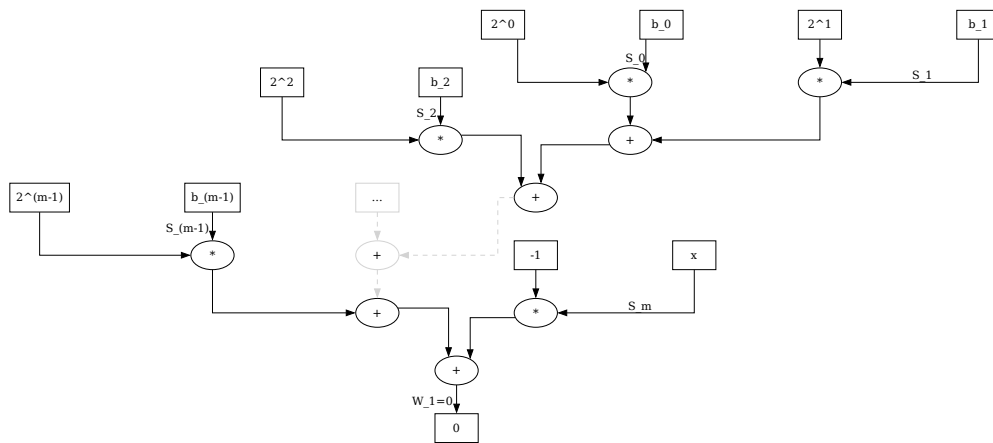
### 7.3.3 Binary Field Representations

In applications, it is often necessary to enforce a binary representation of elements from the field type. To derive an appropriate circuit over a prime field  $\mathbb{F}_p$ , let  $m = \lceil \log_2 p \rceil$  be the smallest number of bits necessary to represent the prime modulus  $p$ . Then a bitstring  $\langle b_0, \dots, b_{m-1} \rangle \in \{0, 1\}^m$  is a binary representation of a field element  $x \in \mathbb{F}_p$ , if and only if

$$x = b_0 \cdot 2^0 + b_1 \cdot 2^1 + \dots + b_{m-1} \cdot 2^{m-1} \tag{7.8}$$

In this expression, addition and exponentiation is considered to be executed in  $\mathbb{F}_p$ , which is well defined since all terms  $2^j$  for  $0 \leq j < m$  are elements of  $\mathbb{F}_p$ . Note, however, that in contrast to the binary representation of unsigned integers  $n \in \mathbb{N}$ , this representation is not unique in general, since the modular  $p$  equivalence class might contain more than one binary representative.

Considering that the underlying prime field is fixed and the most significant bit of the prime modulus is  $m$ , the following circuit flattens equation 7.8, assuming all inputs  $b_1, \dots, b_m$  are of boolean type.



Applying the general transformation rule 6.2.2.4 to compute the associated Rank-1 Constraint Systems, we see that we actually only need a single constraint to enforce some binary representation of any field element. We get

$$(S_0 \cdot 2^0 + S_1 \cdot 2^1 + \dots + S_{m-1} \cdot 2^{m-1} - S_m) \cdot 1 = 0$$

Given an array `BOOL [N]` of  $N$  boolean constrained field elements and another field element  $x$ , the circuit enforces `BOOL [N]` to be one of the binary representations of  $x$ . If `BOOL [N]` is not a binary representation of  $x$ , no valid assignment and hence no solution to the associated R1CS can exist.

*Example 145.* Consider the prime field  $\mathbb{F}_{13}$ . To compute binary representations of elements from that field, we start with the binary representation of the prime modulus 13, which is  $\text{Bits}(13) = \langle 1, 0, 1, 1 \rangle$  since  $13 = 1 \cdot 2^0 + 0 \cdot 2^1 + 1 \cdot 2^2 + 1 \cdot 2^3$ . So  $m = 4$  and we need up to 4 bits to represent any element  $x \in \mathbb{F}_{13}$ .

To see that binary representations are not unique in general, consider the element  $2 \in \mathbb{F}_{13}$ . It has the following two 4-bit, binary representations  $\text{Bits}(2) = \langle 0, 1, 0, 0 \rangle$  and  $\text{Bits}(2) = \langle 1, 1, 1, 1 \rangle$ , since in  $\mathbb{F}_{13}$  we have

$$2 = \begin{cases} 0 \cdot 2^0 + 1 \cdot 2^1 + 0 \cdot 2^2 + 0 \cdot 2^3 \\ 1 \cdot 2^0 + 1 \cdot 2^1 + 1 \cdot 2^2 + 1 \cdot 2^3 \end{cases}$$

This is because the unsigned integers 2 and 15 are both in the modular 13 remainder class of 2 and hence are both representatives of 2 in  $\mathbb{F}_{13}$ .

To see how circuit the associated circuit works, we want to enforce the binary representation of  $7 \in \mathbb{F}_{13}$ . Since  $m = 4$  we have to enforce a 4-bit representation for 7, which is  $\langle 1, 1, 1, 0 \rangle$ , since  $7 = 1 \cdot 2^0 + 1 \cdot 2^1 + 1 \cdot 2^2 + 0 \cdot 2^3$ . A valid circuit assignment is therefore given by  $\langle S_0, S_1, S_2, S_3, S_4 \rangle = \langle 1, 1, 1, 0, 7 \rangle$  and, indeed, the assignment satisfies the required 5 constraints including the 4 boolean constraints for  $S_0, \dots, S_3$ :

$$\begin{aligned} 1 \cdot (1 - 1) &= 0 && // \text{boolean constraints} \\ 1 \cdot (1 - 1) &= 0 \\ 1 \cdot (1 - 1) &= 0 \\ 0 \cdot (1 - 0) &= 0 \\ (1 + 2 + 4 + 0 - 7) \cdot 1 &= 0 && // \text{binary rep. constraint} \end{aligned}$$

## 7.3.4 Cryptographic Primitives

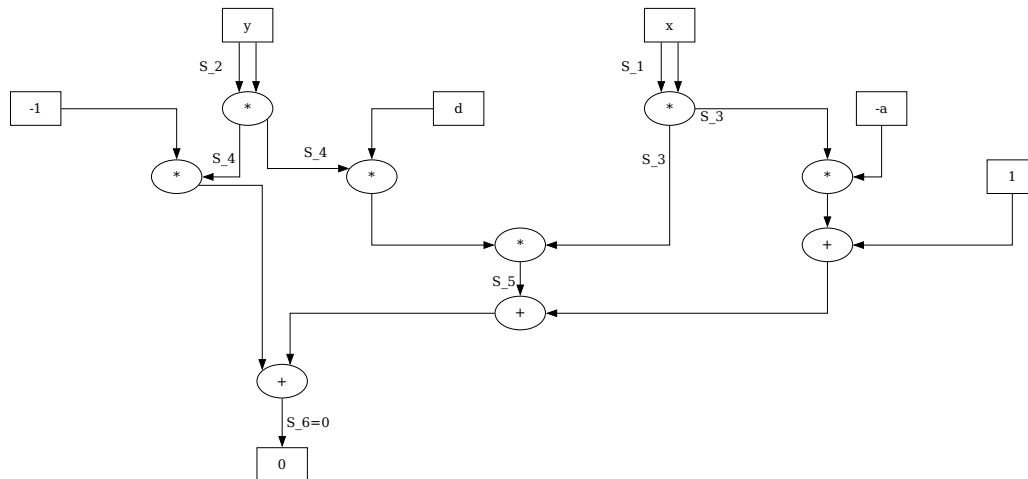
In applications, it is often required to do cryptography in a circuit. To do this, basic cryptographic primitives like hash functions or elliptic curve cryptography needs to be implemented as circuits. In this section, we give a few basic examples of how to implement such primitives.

### 7.3.4.1 Twisted Edwards curves

Implementing elliptic curve cryptography in circuits means to implement the defining curve equations as well as the algebraic operations, like the group law or the scalar multiplication as circuits. To do this efficiently, the curve must be defined over the same base field as the field that is used in the circuit.

For efficiency reasons, it is advantageous to choose an elliptic curve such that that all required constraints and operations can be implemented with as few gates as possible. Twisted Edwards curves are particularly useful for that matter, since their group law is particularly simple and the same calculation can be used for all curve points including the point at infinity. This simplifies the circuit a lot.

**7.3.4.1.1 Twisted Edwards curve constraints** As we have seen in 5.3, a twisted Edwards curve over a finite field  $F$  is defined as the set of all pairs of points  $(x, y) \in \mathbb{F} \times \mathbb{F}$  such that  $x$  and  $y$  satisfy the equation  $a \cdot x^2 + y^2 = 1 + d \cdot x^2 y^2$  and as we have seen in example 125, we can transform this equation into the following circuit:



The circuit enforces the two inputs of `field` type to satisfy the twisted Edwards curve equation and, as we know from example 130, the associated Rank-1 Constraint System is given by:

$$\begin{aligned} S_1 \cdot S_1 &= S_3 \\ S_2 \cdot S_2 &= S_4 \\ (S_4 \cdot d) \cdot S_3 &= S_5 \\ (-1 \cdot S_4 + S_5 - a \cdot S_3 + 1) \cdot 1 &= 0 \end{aligned}$$

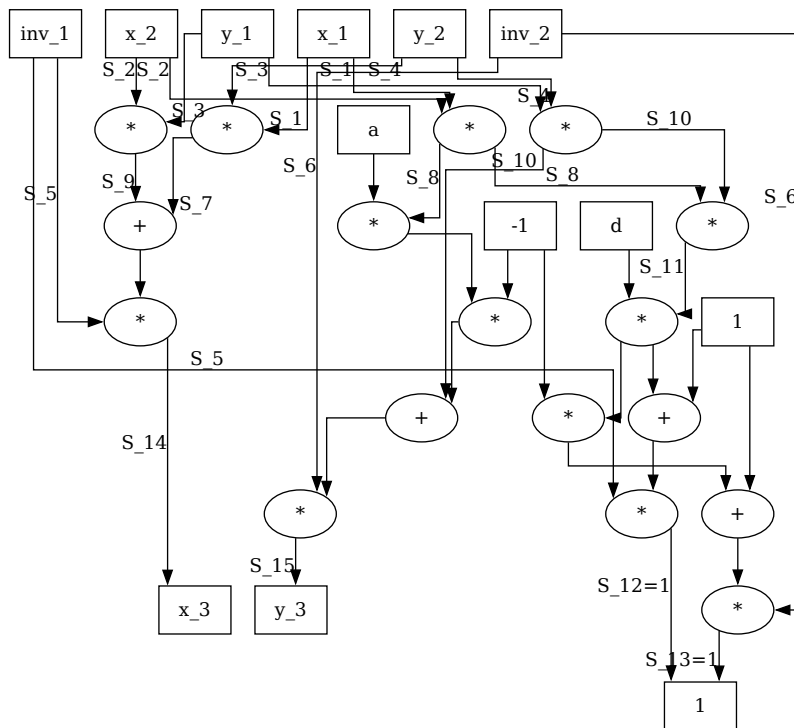
*Exercise 111.* Write the circuit and associated Rank-1 Constraint System for a Weierstrass curve of a given field  $\mathbb{F}$ .

**7.3.4.1.2 Twisted Edwards curve addition** As we have seen in 5.3.1, a major advantage of twisted Edwards curves is the existence of an addition law that contains no branching and is valid for all curve points. Moreover, the neutral element is not given by any auxiliary symbol but the curve point  $(0, 1)$ . In fact, given two points  $(x_1, y_1)$  and  $(x_2, y_2)$  on a twisted Edwards curve, their sum is defined as

$$(x_3, y_3) = \left( \frac{x_1 y_2 + y_1 x_2}{1 + d \cdot x_1 x_2 y_1 y_2}, \frac{y_1 y_2 - a \cdot x_1 x_2}{1 - d \cdot x_1 x_2 y_1 y_2} \right)$$

We can use the division circuit from 7.3.1.1.3 to flatten this equation into an algebraic circuit. Inputs to the circuit are then not only the two curve points  $(x_1, y_1)$  and  $(x_2, y_2)$ , but also the multiplicative inverses of the two denominators  $inv_1 = (1 + d \cdot x_1 x_2 y_1 y_2)^{-1}$  as well as  $inv_2 = (1 - d \cdot x_1 x_2 y_1 y_2)^{-1}$ , which any prover needs to compute outside of the circuit. We get





Using the general technique from 6.2.2.4 to derive the associated Rank-1 Constraint System, we get the following result:

$$\begin{aligned}
 S_1 \cdot S_4 &= S_7 \\
 S_1 \cdot S_2 &= S_8 \\
 S_2 \cdot S_3 &= S_9 \\
 S_3 \cdot S_4 &= S_{10} \\
 S_8 \cdot S_{10} &= S_{11} \\
 S_5 \cdot (1 + d \cdot S_{11}) &= 1 \\
 S_6 \cdot (1 - d \cdot S_{11}) &= 1 \\
 S_5 \cdot (S_9 + S_7) &= S_{14} \\
 S_6 \cdot (S_{10} - a \cdot S_8) &= S_{15}
 \end{aligned}$$

*Exercise 112.* Let  $\mathbb{F}$  be a field. Define a circuit that enforces field inversion for a point of a twisted Edwards curve over  $\mathbb{F}$ .

*Exercise 113.* Write the circuit and associated Rank-1 Constraint System for a Weierstrass addition law of a given field  $\mathbb{F}$ .

# Chapter 8

## Zero Knowledge Protocols

A so-called **zero-knowledge protocol** is a set of mathematical rules by which one party, usually called **the prover**, can convince another party, usually called **the verifier**, that given some instance, the prover knows some witness for that instance, without revealing any information about the witness.

As we have seen in chapter 6, given some language  $L$  and instance  $I$ , the knowledge claim “there is a witness  $W$  such that  $(I;W)$  is a word in  $L$ ” is constructively provable by providing the witness  $W$  to the verifier. The verifier can then use the grammar of the language to verify the proof. In contrast, it’s the challenge of any zero-knowledge protocol to enable a prover to prove knowledge of a witness to any verifier, without revealing any information about the witness beyond its existence.

In this chapter, we look at various systems that exist to solve this task. We start with an introduction to the basic concepts and terminology in zero-knowledge proving systems and then introduce the so-called Groth\_16 protocol as one of the most efficient systems. We will update this chapter with other zero-knowledge proof systems in future versions of this book.

### 8.1 Proof Systems

From an abstract point of view, a proof system is a set of rules which models the generation and exchange of messages between two parties, usually called the prover and the verifier. The purpose of a proof system is to ascertain whether a given string belongs to a formal language or not.

Proof systems are often classified by certain trust assumptions and the computational capabilities of the prover and the verifier. In its most general form, the prover usually possesses unlimited computational resources but cannot be trusted, while the verifier has bounded computational power but is assumed to be honest.

Proving membership or knowledge claims of a statement for some string as explained in chapter 6 is executed by the generation of certain messages that are sent between prover and verifier, until the verifier is convinced that the string is a word in the language in consideration.

To be more specific, let  $\Sigma$  be an alphabet, and let  $L$  be a formal language defined over  $\Sigma$ . Then a **proof system** for language  $L$  is a pair of probabilistic interactive algorithms  $(P, V)$ , where  $P$  is called the **prover** and  $V$  is called the **verifier**.

Both algorithms are able to send messages to one another, each algorithm has its own state, some shared initial state and access to the messages. The verifier is bounded to a number of steps which is polynomial in the size of the shared initial state, after which it stops and outputs either `accept` or `reject` indicating that it accepts or rejects a given string to be a word in

$L$  or not. In contrast, in the most general form of a proof system, there are no bounds on the computational power of the prover.

When the execution of the verifier algorithm stops the following conditions are required to hold:

- (Completeness) If the string  $x \in \Sigma^*$  is a word in language  $L$  and both prover and verifier follow the protocol, the verifier outputs `accept`.
- (Soundness) If the string  $x \in \Sigma^*$  is not a word in language  $L$  and the verifier follows the protocol, the verifier outputs `reject`, except with some small probability.

In addition, a proof system is called **zero-knowledge** if the verifier learns nothing about  $x$  other than  $x \in L$ .

The previous definition of proof systems is very general, and many subclasses of proof systems are known in the field. For example, some proof systems restrict the computational power of the prover, while some proof systems assume that the verifier has access to randomness. In addition, proof systems are classified by the number of messages that can be exchanged. If the system only requires to send a single message from the prover to the verifier, the proof system is called **non-interactive**, because no interaction other than sending the actual proof is required. In contrast, any other proof system is called **interactive**.

A proof system is usually called **succinct** if the size of the proof is shorter than the witness necessary to generate the proof. Moreover, a proof system is called **computationally sound** if soundness only holds under the assumption that the computational capabilities of the prover are polynomial bound. To distinguish general proofs from computationally sound proofs, the latter are often called **arguments**.

Since the term **zk-SNARKs** is an abbreviation for "Zero-knowledge, succinct, non-interactive argument of knowledge". These proof systems are able to generate zk-SNARKS therefore have the zero-knowledge property, are able to generate proofs that require less space than the original witness and require no interaction between prover and verifier, other than transmitting the zk-SNARK itself. However those systems are only sound under the assumption that the prover's computational capabilities are polynomial bound.

*Example 146 (Constructive Proofs for Algebraic Circuits).* We have seen in 6.2.2.3 how algebraic circuits give rise to formal languages and constructive proofs for knowledge claims.

To reformulate this notion of constructive proofs for algebraic circuits into a proof system, let  $\mathbb{F}$  be a finite field, and let  $C(\mathbb{F})$  be an algebraic circuit over  $\mathbb{F}$  with associated language  $L_{C(\mathbb{F})}$ . A non-interactive proof system for  $L_{C(\mathbb{F})}$  is given by the following two algorithms:

**Prover Algorithm:** The prover  $P$  is defined by circuit execution. Given some instance  $I$  the prover executes circuit  $C(\mathbb{F})$  to compute a witness  $W$  such that the pair  $(I; W)$  is a valid assignment to  $C(\mathbb{F})$  whenever the circuit is satisfiable for  $I$ . The prover then sends the constructive proof  $(I; W)$  to the verifier.

**Verifier Algorithm:** On receiving a message  $(I; W)$ , the verifier algorithm  $V$  inserts  $(I; W)$  into the associated R1CS of the circuit. If  $(I; W)$  is a solution to the R1CS, the verifier returns `accept`, if not, it returns `reject`.

To see that this proof system is complete and sound, let  $C(\mathbb{F})$  be a circuit of the field  $\mathbb{F}$ , and let  $I$  be an instance. The circuit may or may not have a witness  $W$  such that  $(I; W)$  is a valid assignment to  $C(\mathbb{F})$ .

If no  $W$  exists,  $I$  is not part of any word in  $L_{C(\mathbb{F})}$ , and there is no way for  $P$  to generate a valid assignment. It follows that the verifier will not accept any claimed proof sent by  $P$ , since the associated R1CS has no solutions for instance  $I$ . This implies that the system is **sound**.

If, on the other hand,  $W$  exists and  $P$  is honest,  $P$  can use its unlimited computational power to compute  $W$  and send  $(I; W)$  to  $V$ , which  $V$  will accept, since it is a solution to the associated R1CS. This implies that the system is **complete**.

The system is non-interactive because the prover only sends a single message to the verifier, which contains the proof itself. However the proof system is **not** succinct, since the proof is the witness. The proof system is also not zero knowledge, since the verifier has access to the witness and hence learns everything about the witness.

## 8.2 The “Groth16” Protocol

In chapter 6, we presented algebraic circuits, their associated Rank-1 Constraint Systems and their induced Quadratic Arithmetic Programs. These models define formal languages, and associated memberships and knowledge claims provide constructive proofs by executing the circuit to compute a solution to the associated R1CS. As previously noted in Section 6.2.3 the proof can then be transformed into a polynomial that is only divisible by another polynomial if and only if the proof is valid.

In Groth [2016], Jens Groth developed a method for transforming constructive proofs into zero-knowledge succinct non-interactive arguments of knowledge. Given groups  $\mathbb{G}_1$ ,  $\mathbb{G}_2$ , and  $\mathbb{G}_3$ , and an efficiently computable pairing map  $e(\cdot, \cdot) : \mathbb{G}_1 \times \mathbb{G}_2 \rightarrow \mathbb{G}_3$  (see 4.9), the resulting zk-SNARK in Groth’s protocol is of constant size, consisting of two elements from  $\mathbb{G}_1$  and one element from  $\mathbb{G}_2$ , regardless of the instance and witness size. Verification is non-interactive, requiring the computation of a number of exponentiations proportional to the instance size, along with three group pairings, in order to verify a single proof.

The generated zk-SNARK is zero-knowledge, has completeness and soundness in the generic bilinear group model, under the assumption of the existence of a trusted third party that executes a preprocessing phase to produce a Common Reference String and a simulation trapdoor. It is imperative that this party is trusted to delete the simulation trapdoor, as any individual in possession of it would have the ability to simulate proofs. As demonstrated in Bowe et al. [2017], it is possible to transform the single-party trusted setup into a multi-party computation that is secure as long as at least one contributor deletes their contribution to the simulation trapdoor.

To be more precise, let  $R$  be a Rank-1 Constraint System defined over some finite field  $\mathbb{F}_r$ . Then **Groth\_16 parameters** for  $R$  are given by the following set:

$$\text{Groth\_16 - Param}(R) = (r, \mathbb{G}_1, \mathbb{G}_2, e(\cdot, \cdot), g_1, g_2) \quad (8.1)$$

Here,  $\mathbb{G}_1$  and  $\mathbb{G}_2$  are finite cyclic groups of order  $r$ ,  $g_1$  is a generator of  $\mathbb{G}_1$ ,  $g_2$  is a generator of  $\mathbb{G}_2$  and  $e : \mathbb{G}_1 \times \mathbb{G}_2 \rightarrow \mathbb{G}_T$  is an efficiently computable, non-degenerate, bilinear pairing for some target group  $\mathbb{G}_T$ . In real-world applications, the parameter set is usually agreed on in advance.

Given some Groth\_16 parameters, a **Groth\_16 protocol** is then a quadruple of probabilistic polynomial algorithms (SETUP, PROVE, VFY, SIM) such that the following conditions hold:

- (Setup-Phase):  $(CRS, ST) \leftarrow \text{SETUP}(R)$ : Algorithm SETUP takes the R1CS  $R$  as input and computes a **Common Reference String**  $CRS$  and a **simulation trapdoor**  $ST$ .
- (Prover-Phase):  $\pi \leftarrow \text{PROVE}(R, CRS, I, W)$ : Given a constructive proof  $(I; W)$  for  $R$ , algorithm PROVE takes the R1CS  $R$ , the Common Reference String  $CRS$  and the constructive proof  $(I, W)$  as input and computes an zk-SNARK  $\pi$ .

- (Verification Phase):  $\{\text{accept}, \text{reject}\} \leftarrow \text{VFY}(R, \text{CRS}, I, \pi)$ : Algorithm VFY takes the R1CS  $R$ , the Common Reference String  $\text{CRS}$ , the instance  $I$  and the zk-SNARK  $\pi$  as input and returns `reject` or `accept`.
- (Simulation)  $\pi \leftarrow \text{SIM}(R, \text{ST}, \text{CRS}, I)$ : Algorithm SIM takes the R1CS  $R$ , the Common Reference String  $\text{CRS}$ , the simulation trapdoor  $\text{ST}$  and the instance  $I$  as input and returns a zk-SNARK  $\pi$ .

We will explain these algorithms together with detailed examples in the remainder of this section.

Assuming a trusted third party or the presence of a corresponding multi-party computation for the setup, the protocol is capable of deriving a zk-SNARK from a constructive proof for  $R$ , provided that the group order  $r$  is suitably large, with the requirement being particularly applicable to being larger than the number of constraints in the associated R1CS.

*Example 147* (The 3-Factorization Problem). Consider the 3-factorization problem from 115 and its associated algebraic circuit 124 as well the Rank-1 Constraint System from 120. In this example, we want to agree on a parameter set  $(r, \mathbb{G}_1, \mathbb{G}_2, e(\cdot, \cdot), g_1, g_2)$  in order to use the Groth\_16 protocol for our 3-factorization problem.

To find proper parameters, first observe that the circuit 124, as well as its associated R1CS  $R_{3.\text{fac\_zk}}$  120 and the derived QAP 131, are defined over the field  $\mathbb{F}_{13}$ . We therefore have to choose pairing groups  $\mathbb{G}_1$  and  $\mathbb{G}_2$  of order 13.

We know from 5.6.4 that the moon-math curve `BLS6_6` has two subgroups  $\mathbb{G}_1[13]$  and  $\mathbb{G}_2[13]$ , which are both of order 13. The associated Weil pairing  $e(\cdot, \cdot)$  5.70 is efficiently computable, bilinear as well as non-degenerate. We therefore choose those groups and the Weil pairing together with the generators  $g_1 = (13, 15)$  and  $g_2 = (7v^2, 16v^3)$  of  $\mathbb{G}_1[13]$  and  $\mathbb{G}_2[13]$ , as a parameter set:

$$\text{Groth\_16} - \text{Param}(R_{3.\text{fac\_zk}}) = (13, \mathbb{G}_1[13], \mathbb{G}_2[13], e(\cdot, \cdot), (13, 15), (7v^2, 16v^3))$$

It should be noted that our choice is not unique. Every pair of finite cyclic groups of order 13 that has an efficiently computable, non-degenerate, bilinear pairing qualifies as a Groth\_16 parameter set. The situation is similar to real-world applications, where SNARKs with equivalent behavior are defined over different curves, used in different applications.

*Example 148* (The 3-Factorization Problem in Circom and Snarkjs). `Snark.js` is a JavaScript library that facilitates the development of systems incorporating zero-knowledge proofs (ZKPs), including the Groth-16 protocol. To showcase a practical example of the 3-factorization problem, we utilize our Circom implementation (see 137), which compiles into a form that is compatible with `snark.js`.

As of the time of writing, `Snark.js` supports the elliptic curves `alt_bn128`, `BLS12-381`, and `Goldilocks`. For the purposes of this example, we shall utilize `alt_bn128`, and its associated scalar field  $\mathbb{F}_{bn128}$  as introduced in 73. The Groth-16 parameters for this curve, as officially defined for the Ethereum blockchain, can be found in EIP-197. `Snark.js` utilizes those parameters.

*Exercise 114*. Implement the Baby-JubJub twisted Edwards curve equation in Circom and compile it into an R1CS and associated witness generator.

### 8.2.1 The Setup Phase

Generating zk-SNARKs from constructive proofs in the Groth16 protocol requires a preprocessing phase to be performed. This phase must be executed once for every Rank-1 Constraint

System and its associated Quadratic Arithmetic Program. The outcome of this phase is a Common Reference String, which is necessary for both the prover and the verifier to generate and verify the zk-SNARK. Additionally, a simulation trapdoor is generated during this phase, which can be utilized to simulate proofs.

To be more precise, let  $L$  be a language defined by some Rank-1 Constraint System  $R$  such that a constructive proof of knowledge for an instance  $\langle I_1, \dots, I_n \rangle$  in  $L$  consists of a witness  $\langle W_1, \dots, W_m \rangle$ . Let  $QAP(R) = \left\{ T \in \mathbb{F}[x], \{A_j, B_j, C_j \in \mathbb{F}[x]\}_{j=0}^{n+m} \right\}$  be a Quadratic Arithmetic Program associated to  $R$ , and let  $\{\mathbb{G}_1, \mathbb{G}_2, e(\cdot, \cdot), g_1, g_2, \mathbb{F}_r\}$  be a set of Groth\_16 parameters.

The setup phase then samples 5 random, invertible elements  $\alpha, \beta, \gamma, \delta$  and  $\tau$  from the scalar field  $\mathbb{F}_r$  of the protocol and outputs the **simulation trapdoor** ST:

$$ST = (\alpha, \beta, \gamma, \delta, \tau) \quad (8.2)$$

In addition, the setup phase uses those 5 random elements together with the two generators  $g_1$  and  $g_2$  and the Quadratic Arithmetic Program to generate a **Common Reference String**  $CRS_{QAP} = (CRS_{\mathbb{G}_1}, CRS_{\mathbb{G}_2})$  of language  $L$ :

*Definition 8.2.1.1 (Common Reference String).*

$$CRS_{\mathbb{G}_1} = \left\{ \begin{array}{l} \left( g_1^\alpha, g_1^\beta, g_1^\delta, \left( g_1^{\tau^j}, \dots \right)_{j=0}^{deg(T)-1} \right), \left( g_1^{\frac{\beta \cdot A_j(\tau) + \alpha \cdot B_j(\tau) + C_j(\tau)}{\gamma}}, \dots \right)_{j=0}^n \\ \left( \left( g_1^{\frac{\beta \cdot A_{j+n}(\tau) + \alpha \cdot B_{j+n}(\tau) + C_{j+n}(\tau)}{\delta}}, \dots \right)_{j=1}^m, \left( g_1^{\frac{\tau^j \cdot T(\tau)}{\delta}}, \dots \right)_{j=0}^{deg(T)-2} \right) \end{array} \right\}$$

$$CRS_{\mathbb{G}_2} = \left\{ g_2^\beta, g_2^\gamma, g_2^\delta, \left( g_2^{\tau^j}, \dots \right)_{j=0}^{deg(T)-1} \right\}$$

Common Reference Strings depend on the simulation trapdoor, and are therefore not unique to the problem. Any language can have more than one Common Reference String. The size of a Common Reference String is linear in the size of the instance and the size of the witness.

If a simulation trapdoor  $ST = (\alpha, \beta, \gamma, \delta, \tau)$  is given, we call the element  $\tau$  a **secret evaluation point** of the protocol, because if  $\mathbb{F}_r$  is the scalar field of the finite cyclic groups  $\mathbb{G}_1$  and  $\mathbb{G}_2$ , then a key feature of any Common Reference String is that it provides data to compute the evaluation of any polynomial  $P \in \mathbb{F}_r[x]$  of degree  $deg(P) < deg(T)$  at the point  $\tau$  in the exponent of the generator  $g_1$  or  $g_2$ , without knowing  $\tau$ .

To be more precise, let  $\tau$  be the secret evaluation point and let  $P(x) = a_0 \cdot x^0 + a_1 \cdot x^1 + \dots + a_k \cdot x^k$  be a polynomial of degree  $k < deg(T)$  with coefficients in  $\mathbb{F}_r$ . Then we can compute  $g_1^{P(\tau)}$  without knowing what the actual value of  $\tau$  is:

$$\begin{aligned} g_1^{P(\tau)} &= g_1^{a_0 \cdot \tau^0 + a_1 \cdot \tau^1 + \dots + a_k \cdot \tau^k} \\ &= g_1^{a_0 \cdot \tau^0} \cdot g_1^{a_1 \cdot \tau^1} \cdot \dots \cdot g_1^{a_k \cdot \tau^k} \\ &= \left( g_1^{\tau^0} \right)^{a_0} \cdot \left( g_1^{\tau^1} \right)^{a_1} \cdot \dots \cdot \left( g_1^{\tau^k} \right)^{a_k} \end{aligned} \quad (8.3)$$

In this expression, all group points  $g_1^{\tau^j}$  are part of the Common Reference String, hence, they can be used to compute the result. The same holds true for the evaluation of  $g_2^{P(\tau)}$ , since the  $\mathbb{G}_2$  part of the Common Reference String contains the points  $g_2^{\tau^j}$ .

In practical applications, the elements  $g_{1/2}^{\tau^0}, g_{1/2}^{\tau^1}, \dots, g_{1/2}^{\tau^k}$  are commonly referred to as the **powers of tau**, a term frequently used in trusted setup computations. Additionally, the simulation trapdoor is often referred to as the **toxic waste** of the setup phase. As will be demonstrated in section 8.2.4, the simulation trapdoor can be utilized to generate fraud proofs, which are verifiable zk-SNARKs that can be constructed without knowledge of any witness. The Common Reference String is also known as the **prover and verifier key pair**.

To ensure the security of the protocol, the setup must be carried out in a way that ensures the safe disposal of the simulation trapdoor. The simplest method for accomplishing this is through the use of a so-called **trusted third party**, where trust is placed in the party to properly generate the Common Reference String and securely dispose of the toxic waste afterwards.

However, finding a trusted third party can be challenging, thus alternative methods have been developed in practical applications. These utilize multi-party computation in the setup phase, which can be publicly verified for proper execution, and the simulation trapdoor is not recoverable if at least one participant destroys their contribution. Each participant holds only a fraction of the trapdoor, making it recoverable only if all participants collaborate and share their parts.

*Example 149* (The 3-factorization Problem). To see how the setup phase of a Groth\_16 zk-SNARK can be computed, consider the 3-factorization problem from 115 and the Groth\_16 parameters from example 147. As we have seen in 131, an associated Quadratic Arithmetic Program is given by the following set:

$$QAP(R_{3, fac\_zk}) = \{x^2 + x + 9, \\ \{0, 0, 6x + 10, 0, 0, 7x + 4\}, \{0, 0, 0, 6x + 10, 7x + 4, 0\}, \{0, 7x + 4, 0, 0, 0, 6x + 10\}\}$$

To transform this QAP into a Common Reference String, we choose the field elements  $\alpha = 6$ ,  $\beta = 5$ ,  $\gamma = 4$ ,  $\delta = 3$ ,  $\tau = 2$  from  $\mathbb{F}_{13}$ . In real-world applications, it is important to sample those values randomly from the scalar field, but in our approach, we choose those non-random values to make them more memorable, which helps in pen-and-paper computations. Our simulation trapdoor is then given as follows:

$$ST = (6, 5, 4, 3, 2)$$

We keep this secret in order to simulate proofs later on, but we are careful to hide ST from anyone who hasn't read this book. Then we instantiate the Common Reference String 8.3 from those values. Since our groups are subgroups of the BLS6\_6 elliptic curve, we use scalar product notation instead of exponentiation.

To compute the  $\mathbb{G}_1$  part of the Common Reference String, we use the logarithmic order of the group  $\mathbb{G}_1$  5.66, the generator  $g_1 = (13, 15)$ , as well as the values from the simulation trapdoor. Since  $\deg(T) = 2$ , we get the following:

$$\begin{aligned} [\alpha]g_1 &= [6](13, 15) = (27, 34) \\ [\beta]g_1 &= [5](13, 15) = (26, 34) \\ [\delta]g_1 &= [3](13, 15) = (38, 15) \end{aligned}$$

To compute the rest of the  $\mathbb{G}_1$  part of the Common Reference String, we expand the indexed tu-

ples and insert the secret random elements from the simulation backdoor. We get the following:

$$\begin{aligned}
 ([\tau^j]_{g_1, \dots})_{j=0}^1 &= ([2^0](13, 15), [2^1](13, 15)) \\
 &= ((13, 15), (33, 34)) \\
 \left( \left[ \frac{\beta A_j(\tau) + \alpha B_j(\tau) + C_j(\tau)}{\gamma} \right]_{g_1, \dots} \right)_{j=0}^1 &= \left( \left[ \frac{5A_0(2) + 6B_0(2) + C_0(2)}{4} \right](13, 15), \right. \\
 &\quad \left. \left[ \frac{5A_1(2) + 6B_1(2) + C_1(2)}{4} \right](13, 15) \right) \\
 \left( \left[ \frac{\beta A_{j+n}(\tau) + \alpha B_{j+n}(\tau) + C_{j+n}(\tau)}{\delta} \right]_{g_1, \dots} \right)_{j=1}^4 &= \left( \left[ \frac{5A_2(2) + 6B_2(2) + C_2(2)}{3} \right](13, 15), \right. \\
 &\quad \left[ \frac{5A_3(2) + 6B_3(2) + C_3(2)}{3} \right](13, 15), \\
 &\quad \left[ \frac{5A_4(2) + 6B_4(2) + C_4(2)}{3} \right](13, 15), \\
 &\quad \left. \left[ \frac{5A_5(2) + 6B_5(2) + C_5(2)}{3} \right](13, 15) \right) \\
 \left( \left[ \frac{\tau^j \cdot T(\tau)}{\delta} \right]_{g_1} \right)_{j=0}^0 &= \left( \left[ \frac{2^0 \cdot T(2)}{3} \right](13, 15) \right)
 \end{aligned}$$

To compute the curve points on the right side of these expressions, we need the polynomials from the associated Quadratic Arithmetic Program and evaluate them on the secret point  $\tau = 2$ . Since  $4^{-1} = 10$  and  $3^{-1} = 9$  in  $\mathbb{F}_{13}$ , we get the following:

$$\left[ \frac{5A_0(2) + 6B_0(2) + C_0(2)}{4} \right](13, 15) = [(5 \cdot 0 + 6 \cdot 0 + 0) \cdot 10](13, 15) = [0](13, 14)$$

$\mathcal{O}$

$$\left[ \frac{5A_1(2) + 6B_1(2) + C_1(2)}{4} \right](13, 15) = [(5 \cdot 0 + 6 \cdot 0 + (7 \cdot 2 + 4)) \cdot 10](13, 15) = [11](13, 15) = (33, 9)$$

$$\left[ \frac{5A_2(2) + 6B_2(2) + C_2(2)}{3} \right](13, 15) = [(5 \cdot (6 \cdot 2 + 10) + 6 \cdot 0 + 0) \cdot 9](13, 15) = [2](13, 15) = (33, 34)$$

$$\left[ \frac{5A_3(2) + 6B_3(2) + C_3(2)}{3} \right](13, 15) = [(5 \cdot 0 + 6 \cdot (6 \cdot 2 + 10) + 0) \cdot 9](13, 15) = [5](13, 15) = (26, 34)$$

$$\left[ \frac{5A_4(2) + 6B_4(2) + C_4(2)}{3} \right](13, 15) = [(5 \cdot 0 + 6 \cdot (7 \cdot 2 + 4) + 0) \cdot 9](13, 15) = [10](13, 15) = (38, 28)$$

$$\left[ \frac{5A_5(2) + 6B_5(2) + C_5(2)}{3} \right](13, 15) = [(5 \cdot (7 \cdot 2 + 4) + 6 \cdot 0 + 6 \cdot 2 + 10) \cdot 9](13, 15) = [7](13, 15) = (27, 9)$$

$$\left[ \frac{2^0 \cdot T(2)}{3} \right](13, 15) = [1 \cdot (2^2 + 2 + 9) \cdot 9](13, 15) = [5](13, 15) = (26, 34)$$

Putting all those values together, we see that the  $\mathbb{G}_1$  part of the Common Reference String is



given by the following set of 12 points from the  $\text{BLS}_{6\_6}$  13-torsion group  $\mathbb{G}_1$ :

$$CRS_{\mathbb{G}_1} = \left\{ \begin{array}{l} (27, 34), (26, 34), (38, 15), \left( (13, 15), (33, 34) \right), \left( \mathcal{O}, (33, 9) \right) \\ \left( (33, 34), (26, 34), (38, 28), (27, 9) \right), \left( (26, 34) \right) \end{array} \right\} \quad (8.4)$$

To compute the  $\mathbb{G}_2$  part of the Common Reference String, we use the logarithmic order of the group  $\mathbb{G}_2$  5.69, the generator  $g_2 = (7v^2, 16v^3)$ , as well as the values from the simulation trapdoor. Since  $\deg(T) = 2$ , we get the following:

$$\begin{aligned} [\beta]g_2 &= [5](7v^2, 16v^3) = (16v^2, 28v^3) \\ [\gamma]g_2 &= [4](7v^2, 16v^3) = (37v^2, 27v^3) \\ [\delta]g_2 &= [3](7v^2, 16v^3) = (42v^2, 16v^3) \end{aligned}$$

To compute the rest of the  $\mathbb{G}_2$  part of the Common Reference String, we expand the indexed tuple and insert the secret random elements from the simulation trapdoor. We get the following:

$$\begin{aligned} \left( [\tau^j]g_2, \dots \right)_{j=0}^1 &= \left( [2^0](7v^2, 16v^3), [2^1](7v^2, 16v^3) \right) \\ &= \left( (7v^2, 16v^3), (10v^2, 28v^3) \right) \end{aligned}$$

Putting all these values together, we see that the  $\mathbb{G}_2$  part of the Common Reference String is given by the following set of 5 points from the  $\text{BLS}_{6\_6}$  13-torsion group  $\mathbb{G}_2$ :

$$CRS_{\mathbb{G}_2} = \left\{ (16v^2, 28v^3), (37v^2, 27v^3), (42v^2, 16v^3), \left( 7v^2, 16v^3 \right), \left( 10v^2, 28v^3 \right) \right\}$$

Given the simulation trapdoor ST and the Quadratic Arithmetic Program 131, the associated Common Reference String of the 3-factorization problem is as follows:

$$\begin{aligned} CRS_{\mathbb{G}_1} &= \left\{ \begin{array}{l} (27, 34), (26, 34), (38, 15), \left( (13, 15), (33, 34) \right), \left( \mathcal{O}, (33, 9) \right) \\ \left( (33, 34), (26, 34), (38, 28), (27, 9) \right), \left( (26, 34) \right) \end{array} \right\} \\ CRS_{\mathbb{G}_2} &= \left\{ (16v^2, 28v^3), (37v^2, 27v^3), (42v^2, 16v^3), \left( 7v^2, 16v^3 \right), \left( 10v^2, 28v^3 \right) \right\} \end{aligned}$$

We then publish this data to everyone who wants to participate in the generation of a zk-SNARK or its verification in the 3-factorization problem.

To understand how this Common Reference String can be used to evaluate polynomials at the secret evaluation point in the exponent of a generator, let's assume that we have deleted the simulation trapdoor. In that case, assuming that the discrete logarithm problem is hard in our groups, we have no way to know the secret evaluation point anymore, hence, we cannot evaluate polynomials at that point. However, we can evaluate polynomials of smaller degree than the degree of the target polynomial in the exponent of both generators at that point.

To see that, consider e.g. the polynomials  $A_2(x) = 6x + 10$  and  $A_5(x) = 7x + 4$  from the QAP of this problem. To evaluate these polynomials in the exponent of  $g_1$  and  $g_2$  at the secret point  $\tau$  without knowing the value of  $\tau$  (which is 2 in our case), we can use the Common Reference String and equation 8.2.1. Using the scalar product notation instead of exponentiation, we get

the following:

$$\begin{aligned}
[A_2(\tau)]_{g_1} &= [6 \cdot \tau^1 + 10 \cdot \tau^0]_{g_1} \\
&= [6](33, 34) + [10](13, 15) && \# [\tau^0]_{g_1} = (13, 15), [\tau^1]_{g_1} = (33, 34) \\
&= [6 \cdot 2](13, 15) + [10](13, 15) = [9](13, 15) && \# \text{logarithmic order on } \mathbb{G}_1 \\
&= (35, 15) \\
[A_5(\tau)]_{g_1} &= [7 \cdot \tau^1 + 4 \cdot \tau^0]_{g_1} \\
&= [7](33, 34) + [4](13, 15) \\
&= [7 \cdot 2](13, 15) + [4](13, 15) = [5](13, 15) \\
&= (26, 34)
\end{aligned}$$

Indeed, we are able to evaluate the polynomials in the exponent at a secret evaluation point, because that point is encrypted in the curve point (33, 34) and its secrecy is protected by the discrete logarithm assumption. Of course, in our computation, we recovered the secret point  $\tau = 2$ , but that was only possible because we know the logarithmic order of our groups with respect to the generators. Such an order is infeasible in cryptographically secure curves. We can do the same computation on  $\mathbb{G}_2$  and get the following:

$$\begin{aligned}
[A_2(\tau)]_{g_2} &= [6 \cdot \tau^1 + 10 \cdot \tau^0]_{g_2} \\
&= [6](10v^2, 28v^3) + [10](7v^2, 16v^3) \\
&= [6 \cdot 2](7v^2, 16v^3) + [10](7v^2, 16v^3) = [9](7v^2, 16v^3) \\
&= (37v^2, 16v^3) \\
[A_5(\tau)]_{g_2} &= [7 \cdot \tau^1 + 4 \cdot \tau^0]_{g_1} \\
&= [7](10v^2, 28v^3) + [4](7v^2, 16v^3) \\
&= [7 \cdot 2](7v^2, 16v^3) + [4](7v^2, 16v^3) = [5](7v^2, 16v^3) \\
&= (16v^2, 28v^3)
\end{aligned}$$

Apart from the target polynomial  $T$ , all other polynomials of the Quadratic Arithmetic Program can be evaluated in the exponent this way.

*Example 150* (The 3-Factorization Problem in Circom and Snark.js). The implementation of the Groth\_16 zk-SNARK setup phase in real world applications can be observed through the examination of our Circom implementation of the 3-factorization problem 137 and the associated parameter set from Snark.js, as outlined in example 148.

In accordance with the methodology described in [Bowe et al. \[2017\]](#), the generation of the Common Reference String in Snark.js is comprised of two parts. The first part depends on an upper bound on the number of constraints in the circuit, while the second part is dependent on the circuit itself. This division increases the flexibility of the trusted setup procedure, as protocols with Universal Common Reference Strings, such as PLONK, only require the execution of the first phase, while the Groth\_16 protocol mandates the execution of both phases.

The first phase, commonly referred to as **the powers of tau**, involves the calculation of consecutive powers,  $g^\tau, g^{\tau^2}, g^{\tau^3}, \dots, g^{\tau^k}$ , of a random field element  $\tau$  within the exponents of agreed-upon generators of  $\mathbb{G}_1$  and  $\mathbb{G}_2$ . The random element  $\tau$  can either be provided by a trusted third party or generated through a multi-party computation.

Assuming that an upper bound on the number of constraints in Circom’s 3-fac circuit is given by  $2^4$ , the first part is initialized as follows:

```
:$ snarkjs powersoftau new bn128 4 pot4_0000.ptau -v
```

The `new` command is used to start a new phase and the first parameter after `new` refers to the type of curve and hence specifies the Groth-16 parameter set as defined in 148. The next parameter `a`, in this case 4, defines an upper bound  $2^a$  on the number of constraints that the setup can accept.

After this initialization, it is possible for multiple parties to contribute randomness to the common reference string:

```
:$ snarkjs powersoftau contribute pot4_0000.ptau pot4_0001.ptau
-name="1st_cont" -v
```

This step can be repeated and the contribution of randomness by each party to the common reference string is facilitated by the creation of a new contribution file, and the user is prompted to input additional entropy. It has been demonstrated that, provided at least one contributor forgets their randomness, recovery of the simulation trapdoor defined in reference 8.2 is impossible. Verification of the validity of any contribution file is performed as follows:

```
:$ snarkjs powersoftau verify pot4_0001.ptau
```

The completion of the first phase requires the incorporation of some public and unpredictable randomness into the powers of tau generation, which needs to be unpredictable until the contribution from the final participant is made. This is typically achieved through the use of the hash of the latest block in a publicly accessible blockchain, or a similar mechanism.

```
:$ snarkjs powersoftau beacon pot4_0001.ptau pot4_beacon.ptau
0102030405060708090a0b0c00 10 -n="Final Beacon"
```

Upon the incorporation of the contribution of randomness from the participating parties and the random beacon, the following two commands serve to complete and validate the first phase:

```
:$ snarkjs powersoftau prepare phase2 pot4_beacon.ptau
pot4_final.ptau -v
:$ snarkjs powersoftau verify pot4_final.ptau
```

It is apparent that this phase only depends on the upper bound of the number of constraints and is independent of any specific circuit. Therefore, this power of tau ceremony can be utilized to generate a common reference string for any circuit with a number of constraints less than  $2^4$ .

As indicated in reference 137, the `three_fac` circuit in Circom consists of two constraints. Hence, the randomness generated from this power of tau ceremony can be employed to initiate the second phase of the Common Reference String generation process:

```
:$ snarkjs groth16 setup three_fac.r1cs pot4_final.ptau
three_fac0000.zkey
```

The second phase commences with the computation of a Groth\_16 Common Reference String, as specified in reference 8.3. This phase depends on the R1CS of the problem, and the resulting

computation is saved to `three_fac0000.zkey`.

In contrast to the first phase, where the randomness was used to generate the ' $\tau$ ' parameter of the CRS, multiple parties can now contribute randomness to the other parameters, namely  $\alpha$ ,  $\beta$ ,  $\gamma$ , and  $\delta$ , of the Groth\_16 CRS.

```
:$ snarkjs zkey contribute three_fac0000.zkey
three_fac0001.zkey -name="1st Contributor Name" -v
```

This creates a file with a new contribution to the second phase and prompts the user to provide additional randomness to enhance entropy. This step can be repeated many times for different users. The correctness of any contribution file can be verified as follows:

```
:$ snarkjs zkey verify three_fac.r1cs pot4_final.ptau
three_fac0001.zkey
```

The second phase requires the integration of unpredictable, public randomness, which is not known prior to the contribution of the final participant. This can be achieved through the utilization of a method such as the hash of the latest block in a public blockchain.:

```
:$ snarkjs zkey beacon three_fac0001.zkey three_fac_final.zkey
010203040506070809 10 -n="Final Beacon phase2"
```

Once the randomness input from all parties and the random beacon have been incorporated, the verification of the second phase can be performed using the following two commands. This process will also export the verification key, which is a vital component of the Common Reference String and will be stored in a JSON file for the verifier to use:

```
:$ snarkjs zkey verify three_fac.r1cs pot4_final.ptau
three_fac_final.zkey
:$ snarkjs zkey export verificationkey three_fac_final.zkey
verification_key.json
```

The Circom trusted setup therefore enables the creation of the Common Reference String `three_fac_final.zkey`, which holds both the prover and the verifier key. The verifier key can also be exported as a JSON file `verification_key.json` for the purpose of publishing it on a public blockchain for implementation as a smart contract.

*Exercise 115.* Consider exercise 114 and execute a 3-party trusted setup phase for the baby-jubjub circuit.

## 8.2.2 The Prover Phase

Given some Rank-1 Constraint System  $R$  and instance  $I = \langle I_1, \dots, I_n \rangle$ , the objective of the prover phase is to convince any verifier that a prover knows a witness  $W$  to instance  $I$  such that  $(I; W)$  is a word in the language  $L_R$  of the system, without revealing anything about  $W$ .

To achieve this in the Groth\_16 protocol, we assume that any prover has access to the Rank-1 Constraint System of the problem, in addition to some algorithm that tells the prover how to compute constructive proofs for the R1CS. In addition, the prover has access to a Common Reference String and its associated Quadratic Arithmetic Program.

To create a zk-SNARK for the given instance, the prover begins by computing a valid constructive proof, as outlined in reference 6.2.1.2. This involves producing a suitable witness  $W = \langle W_1, \dots, W_m \rangle$  such that  $(\langle I_1, \dots, I_n \rangle; \langle W_1, \dots, W_m \rangle)$  is a valid solution to the Rank-1 Constraint System  $R$ .

After generating the witness, the prover employs the Quadratic Arithmetic Program to compute the polynomial  $P_{(I;W)}$ , as outlined in reference 6.19. The prover then divides this polynomial by the target polynomial  $T$  of the Quadratic Arithmetic Program. As  $P_{(I;W)}$  is derived from a valid solution to the R1CS, as stated in reference 6.19, it follows that  $P_{(I;W)}$  is divisible by  $T$ . This implies that the division of  $P_{(I;W)}$  by  $T$  results in another polynomial  $H := P_{(I;W)}/T$ , with a degree lower than that of  $T$ .

The prover then evaluates the polynomial  $(H \cdot T)/\delta$  in the exponent of the generator  $g_1$  at the secret point  $\tau$ , as explained in 8.2.1. To see how this can be achieved, let  $H(x)$  be the quotient polynomial  $P/T$ :

$$H(x) = H_0 \cdot x^0 + H_1 \cdot x^1 + \dots + H_k \cdot x^k \quad (8.5)$$

To evaluate  $(H \cdot T)/\delta$  at  $\tau$  in the exponent of  $g_1$ , the prover uses the Common Reference String and computes as follows:

$$g_1^{\frac{H(\tau) \cdot T(\tau)}{\delta}} = \left( g_1^{\frac{\tau^0 \cdot T(\tau)}{\delta}} \right)^{H_0} \cdot \left( g_1^{\frac{\tau^1 \cdot T(\tau)}{\delta}} \right)^{H_1} \cdots \left( g_1^{\frac{\tau^k \cdot T(\tau)}{\delta}} \right)^{H_k}$$

After this has been done, the prover samples two random field elements  $r, t \in \mathbb{F}_r$ , and uses the Common Reference String, the instance variables  $I_1, \dots, I_n$  and the witness variables  $W_1, \dots, W_m$  to compute the following curve points:

$$\begin{aligned} g_1^W &= \left( g_1^{\frac{\beta \cdot A_{1+n}(\tau) + \alpha \cdot B_{1+n}(\tau) + C_{1+n}(\tau)}{\delta}} \right)^{W_1} \cdots \left( g_1^{\frac{\beta \cdot A_{m+n}(\tau) + \alpha \cdot B_{m+n}(\tau) + C_{m+n}(\tau)}{\delta}} \right)^{W_m} \\ g_1^A &= g_1^\alpha \cdot g_1^{A_0(\tau)} \cdot \left( g_1^{A_1(\tau)} \right)^{I_1} \cdots \left( g_1^{A_n(\tau)} \right)^{I_n} \cdot \left( g_1^{A_{n+1}(\tau)} \right)^{W_1} \cdots \left( g_1^{A_{n+m}(\tau)} \right)^{W_m} \cdot \left( g_1^\delta \right)^r \\ g_1^B &= g_1^\beta \cdot g_1^{B_0(\tau)} \cdot \left( g_1^{B_1(\tau)} \right)^{I_1} \cdots \left( g_1^{B_n(\tau)} \right)^{I_n} \cdot \left( g_1^{B_{n+1}(\tau)} \right)^{W_1} \cdots \left( g_1^{B_{n+m}(\tau)} \right)^{W_m} \cdot \left( g_1^\delta \right)^t \\ g_2^B &= g_2^\beta \cdot g_2^{B_0(\tau)} \cdot \left( g_2^{B_1(\tau)} \right)^{I_1} \cdots \left( g_2^{B_n(\tau)} \right)^{I_n} \cdot \left( g_2^{B_{n+1}(\tau)} \right)^{W_1} \cdots \left( g_2^{B_{n+m}(\tau)} \right)^{W_m} \cdot \left( g_2^\delta \right)^t \\ g_1^C &= g_1^W \cdot g_1^{\frac{H(\tau) \cdot T(\tau)}{\delta}} \cdot \left( g_1^A \right)^t \cdot \left( g_1^B \right)^r \cdot \left( g_1^\delta \right)^{-r \cdot t} \end{aligned}$$

During this calculation, the group elements  $g_1^{A_j(\tau)}$ ,  $g_1^{B_j(\tau)}$ , and  $g_2^{B_j(\tau)}$  can be obtained from the Common Reference String and the Quadratic Arithmetic Program associated with the problem, as demonstrated in 8.2.1. These points only need to be computed once, and can be made public and reused for multiple proof generations as they are consistent across all instances and witnesses. The remaining group elements are part of the Common Reference String.

After all these computations have been done, a valid zero-knowledge succinct non-interactive argument of knowledge  $\pi$  in the Groth\_16 protocol is given by the following three curve points:

$$\pi = (g_1^A, g_1^C, g_2^B) \quad (8.6)$$

It can be observed that a Groth\_16 zk-SNARK comprises of three curve points, with two being from the  $\mathbb{G}_1$  group and one from the  $\mathbb{G}_2$  group. This arrangement is purposeful, as  $\mathbb{G}_1$  is typically a torsion group of an elliptic curve over a prime field in typical applications, while  $\mathbb{G}_2$  is a subgroup of the full torsion group over an extension field, as explained in section 5.4. Since

elements from  $\mathbb{G}_1$  require less storage space and computations in  $\mathbb{G}_1$  are faster than in  $\mathbb{G}_2$ , this design is optimal.

The witness in a zk-SNARK is encoded in the exponent of a generator of a secure elliptic curve, making it invisible to anyone except the prover. Additionally, the presence of random field elements  $r$  and  $t$  randomizes each proof, ensuring that no two proofs correspond to the same witness.

*Example 151* (The 3-factorization Problem). To see how a prover might compute a zk-SNARK, consider the 3-factorization problem from example 115, our protocol parameters from example 147 as well as the Common Reference String from (8.4).

Our task is to compute a zk-SNARK for the instance  $I_1 = \langle 11 \rangle$  and its constructive proof  $\langle W_1, W_2, W_3, W_4 \rangle = \langle 2, 3, 4, 6 \rangle$  as computed in example 122. As we know from example 131, the associated polynomial  $P_{(I;W)}$  of the Quadratic Arithmetic Program from example 131 is given as follows:

$$P_{(I;W)} = x^2 + x + 9$$

Since  $P_{(I;W)}$  is identical to the target polynomial  $T(x) = x^2 + x + 9$  in this example, we know from example 131 that the quotient polynomial  $H = P/T$  is the constant degree 0 polynomial:

$$H(x) = H_0 \cdot x^0 = 1 \cdot x^0$$

We therefore use  $[\frac{\tau^0 \cdot T(\tau)}{\delta}]_{g_1} = (26, 34)$  from our Common Reference String (8.4) of the 3-factorization problem and compute as follows:

$$\begin{aligned} \left[ \frac{H(\tau) \cdot T(\tau)}{\delta} \right]_{g_1} &= [H_0](26, 34) = [1](26, 34) \\ &= (26, 34) \end{aligned}$$

In the next step, we have to compute all group elements required for a proper Groth16 zk-SNARK (8.6). We start with  $g_1^W$ . Using scalar products instead of the exponential notation, and  $\oplus$  for the group law on the BLS6\_6 curve, we have to compute the point  $[W]g_1$ :

$$\begin{aligned} [W]g_1 &= [W_1]g_1^{\frac{\beta \cdot A_2(\tau) + \alpha \cdot B_2(\tau) + C_2(\tau)}{\delta}} \oplus [W_2]g_1^{\frac{\beta \cdot A_3(\tau) + \alpha \cdot B_3(\tau) + C_3(\tau)}{\delta}} \oplus [W_3]g_1^{\frac{\beta \cdot A_4(\tau) + \alpha \cdot B_4(\tau) + C_4(\tau)}{\delta}} \\ &\quad \oplus [W_4]g_1^{\frac{\beta \cdot A_5(\tau) + \alpha \cdot B_5(\tau) + C_5(\tau)}{\delta}} \end{aligned}$$

To compute this point, we have to remember that a prover should not be in possession of the simulation trapdoor, hence, they should not know what  $\alpha$ ,  $\beta$ ,  $\delta$  and  $\tau$  are. In order to compute this group element, the prover therefore needs the Common Reference String. Using the logarithmic order from 5.66 and the witness, we get the following:

$$\begin{aligned} [W]g_1 &= [2](33, 34) \oplus [3](26, 34) \oplus [4](38, 28) \oplus [6](27, 9) \\ &= [2 \cdot 2](13, 15) \oplus [3 \cdot 5](13, 15) \oplus [4 \cdot 10](13, 15) \oplus [6 \cdot 7](13, 15) \\ &= [2 \cdot 2 + 3 \cdot 5 + 4 \cdot 10 + 6 \cdot 7](13, 15) = [10](13, 15) \\ &= (38, 28) \end{aligned}$$

In a next step, we compute  $g_1^A$ . We sample the random point  $r = 11$  from  $\mathbb{F}_{13}$ , using scalar products instead of the exponential notation, and  $\oplus$  for the group law on the BLS6\_6 curve. We then have to compute the following expression:

$$\begin{aligned}
 [A]_{g_1} &= [\alpha]_{g_1} \oplus [A_0(\tau)]_{g_1} \oplus [I_1][A_1(\tau)]_{g_1} \oplus [W_1][A_2(\tau)]_{g_1} \oplus [W_2][A_3(\tau)]_{g_1} \\
 &\quad \oplus [W_3][A_4(\tau)]_{g_1} \oplus [W_4][A_5(\tau)]_{g_1} \oplus [r][\delta]_{g_1}
 \end{aligned}$$

Since we don't know what  $\alpha$ ,  $\delta$  and  $\tau$  are, we look up  $[\alpha]_{g_1}$  and  $[\delta]_{g_1}$  from the Common Reference String. According to example 8.4, we have  $[A_2(\tau)]_{g_1} = (35, 15)$ ,  $[A_5(\tau)]_{g_1} = (26, 34)$  and  $[A_j(\tau)]_{g_1} = \mathcal{O}$  for all other indices  $0 \leq j \leq 5$ . Since  $\mathcal{O}$  is the neutral element on  $\mathbb{G}_1$ , we get the following:

$$\begin{aligned}
 [A]_{g_1} &= (27, 34) \oplus \mathcal{O} \oplus [11]\mathcal{O} \oplus [2](35, 15) \oplus [3]\mathcal{O} \oplus [4]\mathcal{O} \oplus [6](26, 34) \oplus [11](38, 15) \\
 &= (27, 34) \oplus [2](35, 15) \oplus [6](26, 34) \oplus [11](38, 15) \\
 &= [6](13, 15) \oplus [2 \cdot 9](13, 15) \oplus [6 \cdot 5](13, 15) \oplus [11 \cdot 3](13, 15) \\
 &= [6 + 2 \cdot 9 + 6 \cdot 5 + 11 \cdot 3](13, 15) = [9](13, 15) \\
 &= (35, 15)
 \end{aligned}$$

In order to compute the two curve points  $[B]_{g_1}$  and  $[B]_{g_2}$ , we sample another random element  $t = 4$  from  $\mathbb{F}_{13}$ . Using the scalar product instead of the exponential notation, and  $\oplus$  for the group law on the BLS6\_6 curve, we have to compute the following expressions:

$$\begin{aligned}
 [B]_{g_1} &= [\beta]_{g_1} \oplus [B_0(\tau)]_{g_1} \oplus [I_1][B_1(\tau)]_{g_1} \oplus [W_1][B_2(\tau)]_{g_1} \oplus [W_2][B_3(\tau)]_{g_1} \\
 &\quad \oplus [W_3][B_4(\tau)]_{g_1} \oplus [W_4][B_5(\tau)]_{g_1} \oplus [t][\delta]_{g_1} \\
 [B]_{g_2} &= [\beta]_{g_2} \oplus [B_0(\tau)]_{g_2} \oplus [I_1][B_1(\tau)]_{g_2} \oplus [W_1][B_2(\tau)]_{g_2} \oplus [W_2][B_3(\tau)]_{g_2} \\
 &\quad \oplus [W_3][B_4(\tau)]_{g_2} \oplus [W_4][B_5(\tau)]_{g_2} \oplus [t][\delta]_{g_2}
 \end{aligned}$$

Since we don't know what  $\beta$ ,  $\delta$  and  $\tau$  are, we look up the associated group elements from the Common Reference String. Recall from 8.4 that we can evaluate  $[B_j(\tau)]_{g_1}$  without knowing the secret evaluation point  $\tau$ . Since  $B_3 = A_2$  and  $B_4 = A_5$ , we have  $[B_3(\tau)]_{g_1} = (35, 15)$ ,  $[B_4(\tau)]_{g_1} = (26, 34)$  according to the computation in 8.4, and  $[B_j(\tau)]_{g_1} = \mathcal{O}$  for all other indices  $0 \leq j \leq 5$ . Since  $\mathcal{O}$  is the neutral element on  $\mathbb{G}_1$ , we get the following:

$$\begin{aligned}
 [B]_{g_1} &= (26, 34) \oplus \mathcal{O} \oplus [11]\mathcal{O} \oplus [2]\mathcal{O} \oplus [3](35, 15) \oplus [4](26, 34) \oplus [6]\mathcal{O} \oplus [4](38, 15) \\
 &= (26, 34) \oplus [3](35, 15) \oplus [4](26, 34) \oplus [4](38, 15) \\
 &= [5](13, 15) \oplus [3 \cdot 9](13, 15) \oplus [4 \cdot 5](13, 15) \oplus [4 \cdot 3](13, 15) \\
 &= [5 + 3 \cdot 9 + 4 \cdot 5 + 4 \cdot 3](13, 15) = [12](13, 15) \\
 &= (13, 28)
 \end{aligned}$$

$$\begin{aligned}
 [B]_{g_2} &= (16v^2, 28v^3) \oplus \mathcal{O} \oplus [11]\mathcal{O} \oplus [2]\mathcal{O} \oplus [3](37v^2, 16v^3) \oplus [4](16v^2, 28v^3) \oplus [6]\mathcal{O} \oplus [4](42v^2, 16v^3) \\
 &= (16v^2, 28v^3) \oplus [3](37v^2, 16v^3) \oplus [4](16v^2, 28v^3) \oplus [4](42v^2, 16v^3) \\
 &= [5](7v^2, 16v^3) \oplus [3 \cdot 9](7v^2, 16v^3) \oplus [4 \cdot 5](7v^2, 16v^3) \oplus [4 \cdot 3](7v^2, 16v^3) \\
 &= [5 + 3 \cdot 9 + 4 \cdot 5 + 4 \cdot 3](7v^2, 16v^3) = [12](7v^2 + 16v^3) \\
 &= (7v^2, 27v^3)
 \end{aligned}$$

In a last step, we combine the previous computations to compute the point  $[C]g_1$  in the group  $\mathbb{G}_1$  as follows:

$$\begin{aligned}
 [C]g_1 &= [W]g_1 \oplus \left[ \frac{H(s) \cdot T(\tau)}{\delta} \right]g_1 \oplus [t][A]g_1 \oplus [r][B]g_1 \oplus [-r \cdot t][\delta]g_1 \\
 &= (38, 28) \oplus (26, 34) \oplus [4](35, 15) \oplus [11](13, 28) \oplus [-11 \cdot 4](38, 15) \\
 &= [10](13, 15) \oplus [5](13, 15) \oplus [4 \cdot 9](13, 15) \oplus [11 \cdot 12](13, 15) \oplus [-11 \cdot 4 \cdot 3](13, 15) \\
 &= [10 + 5 + 4 \cdot 9 + 11 \cdot 12 - 11 \cdot 4 \cdot 3](13, 15) = [12](13, 15) \\
 &= (13, 28)
 \end{aligned}$$

Given the instance  $I_1 = \langle 11 \rangle$ , we can now combine these computations and see that the following 3 curve points are a zk-SNARK for the witness  $\langle W_1, W_2, W_3, W_4 \rangle = \langle 2, 3, 4, 6 \rangle$ :

$$\pi = ((35, 15), (13, 28), (7v^2, 27v^3)) \quad (8.7)$$

We can now publish this zk-SNARK, or send it to a designated verifier. Note that, if we had sampled different values for  $r$  and  $t$ , we would have computed a different zk-SNARK for the same witness. The zk-SNARK, therefore, hides the witness perfectly, which means that it is impossible to reconstruct the witness from the zk-SNARK.

*Example 152* (The 3-Factorization Problem in Circom and Snark.js). The performance of the Groth\_16 zk-SNARK prover phase in practical applications can be evaluated by studying our Circom implementation of the 3-factorization problem 137, the corresponding parameter set as outlined in example 148, and the Common Reference String as described in example 150.

Given an instance  $I$ , it is established in 6.2.1.2 that a constructive proof for the statement "Given instance  $I$ , there exists a witness  $W$  such that  $(I; W)$  belongs to the language  $\mathcal{L}_R$ " requires knowledge of a witness  $W$  such that  $(I; W)$  is a solution to the RICS generated from 137.

Circom defines an instance as the collection of all public signals, and the witness as the set of all assignments to the circuit that are not public signals. Besides instance and witness, Circom introduces the idea of input signals and a witness generator. This generator calculates the values for both instance and witness based on the provided inputs.

To further elaborate, we start by selecting arbitrary input values to our problem. Since the circuit is defined over the scalar field  $\mathbb{F}_{bn128}$  of the curve `alt_bn128`, and there are three input signals  $x_1$ ,  $x_2$ , and  $x_3$  present in the circuit, we can use Sage to randomly generate three elements from  $\mathbb{F}_{bn128}$ . Utilizing the definition of `alt_bn128` as outlined in example 73, we obtain:

```

sage: r = bn128.order() 682
sage: Fbn128 = GF(r) # bn128 scalar field field 683
sage: x1 = Fbn128.random_element() 684
sage: x2 = Fbn128.random_element() 685
sage: x3 = Fbn128.random_element() 686
    
```

To facilitate the use of these input values with Circom’s witness generator program, they must be written into a JSON format file.

```

{
  "x1": 266454826700390499788624045644422204835838308568801104096964341
    478260924069,
  "x2": 170225436912117447625661665889374082810112907680591464054697626
    58080007243141,
  "x3": 2169708499392809782734482748125393322939898426476751716891099115
    492318742078
}
    
```



The file containing the input values can be saved as `input.json`, and the `node.js` environment can be utilized to run Circom’s Javascript/WASM program, `generate_witness.js`, to generate the witness based on the instance and the R1Cs:

```
:$ node <PATH_TO>/generate_witness.js three_fac.wasm input.json
witness.wtns
```

It is important to recognize that in Circom, the witness encompasses both the instance and the witness as defined in our context. In other words, Circom’s witness contains both the private and public assignments to the circuit and the solution to the R1Cs. It serves as a constructive proof to the problem.

With the obtained witness, we can now use `Snark.js` to convert the constructive proof into a zk-SNARK, utilizing the Common Reference String from example 148:

```
:$ snarkjs groth16 prove three_fac_final.zkey witness.wtns
proof.json public.json
```

The execution of this command will result in the creation of two files: `proof.json`, containing the actual proof represented by three curve points, and `public.json`, which holds the values of the instance.

It’s important to understand that in Circom, the instance and input values are distinct entities. The instance contains all public values, including those that are not input values but generated during witness generation. On the other hand, some input values may be designated as private and therefore not included in the instance.

*Exercise 116.* Consider exercise 114 and the CRS from exercise 115. Use Sage to generate a valid curve point on the Baby-JubJub curve in twisted Edwards form, that is not the neutral element and use this point as input to the circuit. Generate a witness for this input and use `Snark.js` to compute an instance as well as a zk-SNARK for this witness.

### 8.2.3 The Verification Phase

The objective of the verification phase in a Groth\_16 zk-SNARK, given a Rank-1 Constraint System  $R$ , an instance  $I = \langle I_1, \dots, I_n \rangle$ , and a zk-SNARK  $\pi$  (as defined in 8.6), is to confirm that  $\pi$  constitutes a valid proof. If the simulation trapdoor is no longer present and the proof passes the verification checks, the verifier can be convinced that there exists a witness  $W = \langle W_1, \dots, W_m \rangle$  such that  $(I; W)$  belongs to the language of  $R$ .

To achieve this in the Groth\_16 protocol, we assume that any verifier is able to compute the pairing map  $e(\cdot, \cdot)$  efficiently, and has access to the Common Reference String used to produce the zk-SNARK  $\pi$ . In order to verify the zk-SNARK with respect to the instance  $\langle I_1, \dots, I_n \rangle$ , the verifier computes the following curve point:

$$g_1^I = \left( g_1^{\frac{\beta \cdot A_0(\tau) + \alpha \cdot B_0(\tau) + C_0(\tau)}{\gamma}} \right) \cdot \left( g_1^{\frac{\beta \cdot A_1(\tau) + \alpha \cdot B_1(\tau) + C_1(\tau)}{\gamma}} \right)^{I_1} \cdots \left( g_1^{\frac{\beta \cdot A_n(\tau) + \alpha \cdot B_n(\tau) + C_n(\tau)}{\gamma}} \right)^{I_n}$$

With this group element, the verifier is able to verify the zk-SNARK  $\pi = (g_1^A, g_1^C, g_2^B)$  by checking the following equation using the pairing map:

$$e(g_1^A, g_2^B) = e(g_1^\alpha, g_2^\beta) \cdot e(g_1^I, g_2^\gamma) \cdot e(g_1^C, g_2^\delta) \quad (8.8)$$

If the equation holds true, the verifier outputs `accept` and the equation does not hold, the verifier outputs `reject`.

*Remark 7.* As stated in section 5.4, computing pairings in secure pairing groups is a computationally expensive. In the Groth\_16 protocol, three pairings are necessary for verifying the zk-SNARK, with the pairing  $e(g_1^\alpha, g_2^\beta)$  being independent of the proof and thus can be computed once and included as part of the verifier key.

According to Groth [2016], the minimum number of pairings required for any protocol with similar properties is two. The Groth\_16 protocol therefore represents a near-optimal solution in this regard. The same paper describes an adaptation that only uses two pairings, but it requires more computational overhead. The use of three pairings strikes a balance between efficiency and performance, making the Groth\_16 protocol the most efficient of its kind to date.

*Example 153 (The 3-factorization Problem).* To see how a verifier might verify a zk-SNARK for some given instance  $I$ , consider the 3-factorization problem from example 115, our protocol parameters from example 147, the Common Reference String from (8.4) as well as the zk-SNARK  $\pi = ((35, 15), (27, 9), (7v^2, 27v^3))$  from example (8.7), which claims to be an argument of knowledge for a witness for the instance  $I_1 = \langle 11 \rangle$ .

In order to verify the zk-SNARK for that instance, we first compute the curve point  $g_1^I$ . Using scalar products instead of the exponential notation, and  $\oplus$  for the group law on the BLS6\_6 curve, we have to compute the point  $[I]g_1$  as follows:

$$[I]g_1 = \left[ \frac{\beta \cdot A_0(\tau) + \alpha \cdot B_0(\tau) + C_0(\tau)}{\gamma} \right]_{g_1} \oplus [I_1] \left[ \frac{\beta \cdot A_1(\tau) + \alpha \cdot B_1(\tau) + C_1(\tau)}{\gamma} \right]_{g_1}$$

To compute this point, we have to remember that a verifier should not be in possession of the simulation trapdoor, which means that they should not know what  $\alpha$ ,  $\beta$ ,  $\gamma$  and  $\tau$  are. In order to compute this group element, the verifier therefore needs the Common Reference String. Using the logarithmic order from (5.66) and instance  $I_1$ , we get the following:

$$\begin{aligned} [I]g_1 &= \left[ \frac{\beta \cdot A_0(\tau) + \alpha \cdot B_0(\tau) + C_0(\tau)}{\gamma} \right]_{g_1} \oplus [I_1] \left[ \frac{\beta \cdot A_1(\tau) + \alpha \cdot B_1(\tau) + C_1(\tau)}{\gamma} \right]_{g_1} \\ &= \mathcal{O} \oplus [11](33, 9) \\ &= [11 \cdot 11](13, 15) = [4](13, 15) \\ &= (35, 28) \end{aligned}$$

In the next step, we have to compute all the pairings involved in equation (8.8). Using the logarithmic order on  $\mathbb{G}_1$  (5.66) and  $\mathbb{G}_2$  (5.69) as well as the bilinearity of the pairing map we get the following:

$$\begin{aligned}
 e([A]g_1, [B]g_2) &= e((35, 15), (7v^2, 27v^3)) = e([9](13, 15), [12](7v^2, 16v^3)) \\
 &= e((13, 15), (7v^2, 16v^3))^{9 \cdot 12} \\
 &= e((13, 15), (7v^2, 16v^3))^{108} \\
 e([\alpha]g_1, [\beta]g_2) &= e((27, 34), (16v^2, 28v^3)) = e([6](13, 15), [5](7v^2, 16v^3)) \\
 &= e((13, 15), (7v^2, 16v^3))^{6 \cdot 5} \\
 &= e((13, 15), (7v^2, 16v^3))^{30} \\
 e([I]g_1, [\gamma]g_2) &= e((35, 28), (37v^2, 27v^3)) = e([4](13, 15), [4](7v^2, 16v^3)) \\
 &= e((13, 15), (7v^2, 16v^3))^{4 \cdot 4} \\
 &= e((13, 15), (7v^2, 16v^3))^{16} \\
 e([C]g_1, [\delta]g_2) &= e((13, 28), (42v^2, 16v^3)) = e([12](13, 15), [3](7v^2, 16v^3)) \\
 &= e((13, 15), (7v^2, 16v^3))^{12 \cdot 3} \\
 &= e((13, 15), (7v^2, 16v^3))^{36}
 \end{aligned}$$

In order to check equation (8.8), observe that the target group  $\mathbb{G}_T$  of the Weil pairing is a finite cyclic group of order 13. Exponentiation is therefore done in modular 13 arithmetic. Accordingly, since  $108 \bmod 13 = 4$ , we evaluate the left side of equation (8.8) as follows:

$$e([A]g_1, [B]g_2) = e((13, 15), (7v^2, 16v^3))^{108} = e((13, 15), (7v^2, 16v^3))^4$$

Similarly, we evaluate the right side of equation (8.8) using modular 13 arithmetic and the exponential law  $a^x \cdot a^y = a^{x+y}$ :

$$\begin{aligned}
 e([\alpha]g_1, [\beta]g_2) \cdot e([I]g_1, [\gamma]g_2) \cdot e([C]g_1, [\delta]g_2) &= \\
 e((13, 15), (7v^2, 16v^3))^{30} \cdot e((13, 15), (7v^2, 16v^3))^{16} \cdot e((13, 15), (7v^2, 16v^3))^{36} &= \\
 e((13, 15), (7v^2, 16v^3))^4 \cdot e((13, 15), (7v^2, 16v^3))^3 \cdot e((13, 15), (7v^2, 16v^3))^{10} &= \\
 e((13, 15), (7v^2, 16v^3))^{4+3+10} &= \\
 e((13, 15), (7v^2, 16v^3))^4 &
 \end{aligned}$$

As we can see, both the left and the right side of equation (8.8) are identical, which implies that the verification process accepts the zk-SNARK and the verifier outputs `accept`.

*Example 154* (The 3-Factorization Problem in Circom and Snark.js). The performance of the Groth 16 zk-SNARK verifier phase in practical applications can be evaluated by examining our Circom implementation of the 3-factorization problem 137, the corresponding parameter set 148, the Common Reference String 150, and the generated proof 152.

As we learned from Example 150, a verifier key can be extracted from the Common Reference String. This is beneficial because the verifier key is much smaller in size compared to the full CRS, making it more efficient to store, for example, on a blockchain.

To verify the proof `proof.json` against the instance `public.json`, the verifier utilizes the verification key `verification_key.json` and employs Snark.js’s verification algorithm:

```
:$ snarkjs groth16 verify verification_key.json public.json
```

proof.json

The algorithm either verifies or rejects the Groth\_16 zk-SNARK in relation to the given key and instance.

The verifier logic in Groth\_16 is simple and consists of a few exponentiations and three pairings, making it suitable for implementation as a smart contract on a blockchain. Circom offers an automation tool for the Solidity language, but a more detailed explanation of this is outside the scope of this book.

*Exercise 117.* Consider exercise 114, the CRS from exercise 115 as well as the instance and zk-SNARK from exercise 116 and verify the zk-SNARK against the instance.

### 8.2.4 Proof Simulation

During the setup phase, a Common Reference String is created along with a simulation trapdoor (as defined in equation (8.2)), which must be discarded at the end of the setup phase. In this section, we will highlight the potential issues with having knowledge of the simulation trapdoor and how it can be used to generate zk-SNARKs without any knowledge of a valid witness.

To clarify, let  $I$  be an instance of a R1CS language  $L_R$ . A zk-SNARK for  $L_R$  is considered to be "forged" or "simulated" if it passes verification, but its generation does not require the presence of a witness  $W$  such that  $(I; W)$  is a word in  $L_R$ .

To understand how simulated zk-SNARKs can be produced, consider a scenario where an attacker has access to the proper Groth\_16 parameters, a Quadratic Arithmetic Program of the problem, a Common Reference String, and its corresponding simulation trapdoor ST:

$$\text{ST} = (\alpha, \beta, \gamma, \delta, \tau) \quad (8.9)$$

Given some instance  $I$ , the forger's task is to generate a zk-SNARK for this instance that passes the verification process, without having access to any other zk-SNARKs for this instance and without knowledge of a valid witness  $W$ .

To achieve this in the Groth\_16 protocol, the forger can use the simulation trapdoor in combination with the QAP and two arbitrary field elements  $A$  and  $B$  from the scalar field  $\mathbb{F}_r$  of the pairing groups to compute  $g_1^C$  for the instance  $\langle I_1, \dots, I_n \rangle$  as follows:

$$g_1^{\frac{A \cdot B}{\delta}} \cdot g_1^{-\frac{\alpha \cdot \beta}{\delta}} \cdot g_1^{-\frac{\beta A_0(\tau) + \alpha B_0(\tau) + C_0(\tau)}{\delta}} \cdot \left( g_1^{-\frac{\beta A_1(\tau) + \alpha B_1(\tau) + C_1(\tau)}{\delta}} \right)^{I_1} \cdots \left( g_1^{-\frac{\beta A_n(\tau) + \alpha B_n(\tau) + C_n(\tau)}{\delta}} \right)^{I_n} \quad (8.10)$$

The forger then publishes the zk-SNARK  $\pi_{\text{forged}} = (g_1^A, g_1^C, g_2^B)$ , which will pass the verification process and is computable without the existence of a witness  $\langle W_1, \dots, W_m \rangle$ .

To see that the simulation trapdoor is necessary and sufficient to compute the simulated proof  $\pi_{\text{forged}}$ , first observe that both generators  $g_1$  and  $g_2$  are known to the forger, as they are part of the Common Reference String, encoded as  $g_1^{\tau^0}$  and  $g_2^{\tau^0}$ . The forger is therefore able to compute  $g_1^{A \cdot B}$ . Moreover, since the forger knows  $\alpha, \beta, \delta$  and  $\tau$  from the trapdoor, they are able to compute all factors in the computation of  $g_1^C$ .

If, on the other hand, the simulation trapdoor is unknown, it is not possible to compute  $g_1^C$ , since, for example, the computational Diffie-Hellman assumption makes the derivation of  $g_1^{\alpha \cdot \beta}$  from  $g_1^\alpha$  and  $g_1^\beta$  infeasible.

*Example 155 (The 3-factorization Problem).* To see how a forger might simulate a zk-SNARK for some given instance  $I$ , consider the 3-factorization problem from example 115, our protocol

parameters from (147), the Common Reference String from example 8.4 and the simulation trapdoor  $ST = (6, 5, 4, 3, 2)$  of that CRS.

In order to forge a zk-SNARK for instance  $I_1 = \langle 11 \rangle$ , we don't need a constructive proof for the associated Rank-1 Constraint System, which implies that we don't have to execute the circuit  $C_{3, fac}(\mathbb{F}_{13})$  from example 124. Instead, we have to choose 2 arbitrary elements  $A$  and  $B$  from  $\mathbb{F}_{13}$ , and compute  $g_1^A$ ,  $g_2^B$  and  $g_1^C$  as defined in 8.10. We choose  $A = 9$  and  $B = 3$ , and, since  $\delta^{-1} = 3$ , we compute as follows:

$$\begin{aligned}
 [A]g_1 &= [9](13, 15) = (35, 15) \\
 [B]g_2 &= [3](7v^2, 16v^3) = (42v^2, 16v^3) \\
 [C]g_1 &= \left[ \frac{A \cdot B}{\delta} \right]_{g_1} \oplus \left[ -\frac{\alpha \cdot \beta}{\delta} \right]_{g_1} \oplus \left[ -\frac{\beta A_0(\tau) + \alpha B_0(\tau) + C_0(\tau)}{\delta} \right]_{g_1} \oplus \\
 &\quad [I_1] \left[ -\frac{\beta A_1(\tau) + \alpha B_1(\tau) + C_1(\tau)}{\delta} \right]_{g_1} \\
 &= [(9 \cdot 3) \cdot 9](13, 15) \oplus [-(6 \cdot 5) \cdot 9](13, 15) \oplus [0](13, 15) \oplus [11][-(7 \cdot 2 + 4) \cdot 9](13, 15) \\
 &= [9](13, 15) \oplus [3](13, 15) \oplus [12](13, 15) = [11](13, 15) \\
 &= (33, 9)
 \end{aligned}$$

This is all we need to generate our forged proof for the 3-factorization problem. We publish the simulated zk-SNARK:

$$\pi_{fake} = ((35, 15), (33, 9), (42v^2, 16v^3))$$

Despite the fact that this zk-SNARK was generated without knowledge of a proper witness, it is indistinguishable from a zk-SNARK that proves knowledge of a proper witness.

To see that, we show that our forged SNARK passes the verification process. In order to verify  $\pi_{fake}$ , we proceed as in section 8.2.3 and compute the curve point  $g_1^I$  for the instance  $I_1 = \langle 11 \rangle$ . Since the instance is the same as in example (8.7), we can parallel the computation from that example:

$$\begin{aligned}
 [I]g_1 &= \left[ \frac{\beta \cdot A_0(\tau) + \alpha \cdot B_0(\tau) + C_0(\tau)}{\gamma} \right]_{g_1} \oplus [I_1] \left[ \frac{\beta \cdot A_1(\tau) + \alpha \cdot B_1(\tau) + C_1(\tau)}{\gamma} \right]_{g_1} \\
 &= (35, 28)
 \end{aligned}$$

In a next step we have to compute all the pairings involved in equation (8.8). Using the logarithmic order on  $\mathbb{G}_1$  (5.66) and  $\mathbb{G}_2$  (5.69) as well as the bilinearity of the pairing map we

get

$$\begin{aligned}
 e([A]g_1, [B]g_2) &= e((35, 15), (42v^2, 16v^3)) = e([9](13, 15), [3](7v^2, 16v^3)) \\
 &= e((13, 15), (7v^2, 16v^3))^{9 \cdot 3} \\
 &= e((13, 15), (7v^2, 16v^3))^{27} \\
 e([\alpha]g_1, [\beta]g_2) &= e((27, 34), (16v^2, 28v^3)) = e([6](13, 15), [5](7v^2, 16v^3)) \\
 &= e((13, 15), (7v^2, 16v^3))^{6 \cdot 5} \\
 &= e((13, 15), (7v^2, 16v^3))^{30} \\
 e([I]g_1, [\gamma]g_2) &= e((35, 28), (37v^2, 27v^3)) = e([4](13, 15), [4](7v^2, 16v^3)) \\
 &= e((13, 15), (7v^2, 16v^3))^{4 \cdot 4} \\
 &= e((13, 15), (7v^2, 16v^3))^{16} \\
 e([C]g_1, [\delta]g_2) &= e((33, 9), (42v^2, 16v^3)) = e([11](13, 15), [3](7v^2, 16v^3)) \\
 &= e((13, 15), (7v^2, 16v^3))^{11 \cdot 3} \\
 &= e((13, 15), (7v^2, 16v^3))^{33}
 \end{aligned}$$

In order to check equation (8.8), observe that the target group  $\mathbb{G}_T$  of the Weil pairing is a finite cyclic group of order 13. Exponentiation is therefore done in modular 13 arithmetics. Using this, we evaluate the left side of the verifier equation as follows:

$$e([A]g_1, [B]g_2) = e((13, 15), (7v^2, 16v^3))^{27} = e((13, 15), (7v^2, 16v^3))^1$$

since  $27 \bmod 13 = 1$ . Similarly, we evaluate the right side of the verification equation using modular 13 arithmetics and the exponential law  $a^x \cdot a^y = a^{x+y}$ . We get

$$\begin{aligned}
 e([\alpha]g_1, [\beta]g_2) \cdot e([I]g_1, [\gamma]g_2) \cdot e([C]g_1, [\delta]g_2) &= \\
 e((13, 15), (7v^2, 16v^3))^{30} \cdot e((13, 15), (7v^2, 16v^3))^{16} \cdot e((13, 15), (7v^2, 16v^3))^{33} &= \\
 e((13, 15), (7v^2, 16v^3))^{4+16+33} \cdot e((13, 15), (7v^2, 16v^3))^{3+7} &= \\
 e((13, 15), (7v^2, 16v^3))^{4+3+7} &= \\
 e((13, 15), (7v^2, 16v^3))^1 &=
 \end{aligned}$$

As we can see, both the left and the right side of the verifier equation are identical, which implies that the verification process accepts the simulated proof.  $\pi_{fake}$  therefore convinces the verifier that a witness to the 3-factorization problem exists. However, no such witness was really necessary to generate the proof.

*Example 156* (The 3-Factorization Problem in Circom and Snark.js). As of the time of writing, Snark.js does not have an algorithm to generate simulated proofs using a given simulation trapdoor.

# Index

- j*-function, 115
- j*-invariant, 113
- r*-torsion group, 102
- Common Reference String, 197, 199
- Euclidean Division, 9
- Fermat's Little Theorem, 17
- Lagrange Interpolation, 35
- Pedersen Hash Function, 50
- Complex Multiplication Method, 112, 114
- Discrete Logarithm Assumption, 45
- Discrete Logarithm Problem (DLP), 45
- Short Weierstrass curve, 72
- Short Weierstrass curves, 71
- Short Weierstrass elliptic curve, 72
- Twisted Edwards curve, 95
- Twisted Edwards elliptic curve, 95
- Twisted Edwards form, 75
- Tiny-jubjub, 74
- hashlib, 48
- “try-and-increment” method, 58
  
- Abelian groups, 38
- absolute value, 7
- addition, 52, 59, 145, 171
- addition-gates, 145
- additive group, 59
- additive inverse, 23
- additive notation, 38
- affine representation, 71, 72
- algebraic circuit, 145
- algebraic circuits, 144
- all, 143, 152
- alphabet, 132
- and, 144, 179
- arguments, 196
- arithmetic gates, 145
- associated R1CS, 153
  
- Baby-jubjub curve, 74
- base *g* discrete logarithm map, 41
- bilinearity, 43
- binary positional system, 14
  
- binary representation, 14
- bit, 47
- bit length, 14
- bits, 14
- brain-compiling, 167
  
- CDH-secure, 46
- characteristic, 59
- Chinese Remainder Theorem, 19
- chord, 79
- chord-and-tangent rule, 79
- circuit execution, 150
- circuit satisfiability, 152
- CM-discriminant, 115
- coefficient, 26
- cofactor, 9
- cofactor clearing, 42, 43
- collision resistance, 47
- commutative group, 37
- commutative ring with unit, 52
- commutative rings with unit, 52
- complete, 197
- Components, 169
- compressed form, 78
- computational Diffie–Hellman assumption, 46
- computational hardness assumptions, 44
- computationally hard, 44
- computationally sound, 196
- concatenation, 47
- congruence, 16
- congruent, 15
- congruent with respect to the modulus, 16
- constraint, 140
- Coprime integers, 13
- cryptographic, 47
- cyclic groups, 40
  
- DDH-secure, 45
- deciding relation, 133
- decimal positional system, 13
- decision function, 133
- decision problems, 133

- diffusion, 48
- digests, 47
- discriminant, 72
- dividend, 9
- divisible, 9
- division, 23
- division with a remainder, 9
- divisor, 9
- divisors, 107
- DL-secure, 45
- elliptic curve discrete logarithm map, 83
- elliptic curve scalar multiplication, 83
- embedding degree, 98
- equivalent, 133
- Euler criterion, 63
- evaluation, 28
- Extended Euclidean Algorithm, 12
- extension field, 59
- factor group, 42
- factors, 8
- factors of the dividend, 32
- Fano plane, 70
- field, 59, 60
- fields, 6, 37
- finite characteristic, 60
- finite group, 39
- flattening, 141, 144, 149
- Frobenius endomorphism, 105
- full  $r$ -torsion group, 102
- full adder, 187
- fundamental theorem of arithmetic, 8
- gadgets, 139
- generator, 40
- generator set, 39
- grammar, 133
- greatest common divisor, 12
- Groth\_16 parameters, 197
- Groth\_16 protocol, 197
- group isomorphisms, 90
- group law, 37
- groups, 6, 37
- Hamming weight, 14
- hash values, 47
- hash-to-group, 49
- hashes, 47
- Hasse bound, 112
- hexadecimal positional system, 14
- Hilbert class polynomial, 115
- images, 47
- incongruent, 16
- infeasible, 44
- instance, 133, 136, 140
- integer division algorithms, 10
- integers, 6
- interactive, 196
- interphase, 166
- intersection, 139
- invalid assignment, 150
- inverse Computational Diffie–Hellman Assumption, 46
- irreducible polynomial, 33
- isomorphic, 65, 77
- knowledge-of-a-preimage proof, 137
- language, 132
- leading coefficient, 26
- least significant bit, 14
- Legendre symbol, 63
- length, 47
- letters, 132
- line, 68
- logarithmic order, 83
- long division, 10
- map, 37
- Miller’s algorithm, 107
- modular 6 arithmetic, 21
- Modular arithmetic, 15
- modularity, 139
- modulus, 15
- Montgomery, 75
- Montgomery cubic equation, 90
- Montgomery curves, 90
- Montgomery elliptic curve, 90
- Montgomery form, 90
- moon-math-curve, 125
- most significant, 14
- multiplication, 52, 59, 145, 171
- multiplication-gates, 146
- multiplicative group, 59
- multiplicative inverse, 22
- multiplicative inverses, 22
- multiplicity, 34



- natural numbers, 7
- negative square root, 63
- neutral element, 22
- non-commutative group., 38
- non-degenerate, 44
- non-interactive, 196
- non-singular, 72
- NOT, 180
- not, 197
- not unique, 141
- number of constraints, 140
  
- octal, 15
- odd, 7
- one polynomial, 26
- one-way function, 8
- one-way functions, 47
- optimization step, 167
- or, 179
- order, 39
  
- pairing groups, 105
- pairing maps, 43
- pairing-based zero-knowledge proofing systems, 111
- pairing-friendly, 108
- pairings on elliptic curves, 98
- Pedersen's hash function, 50
- point, 68
- point at infinity, 72, 90
- point compression, 78
- polynomial division algorithms, 31
- polynomial long division, 31
- positive square root, 63
- powers of tau, 200
- preimage-resistance, 47
- prime factor, 33
- prime factorization, 8, 33
- prime field, 61
- prime field extensions, 64
- prime fields, 12
- prime numbers, 7
- private input, 136
- product, 29
- projected Hilbert class polynomial, 117
- projecting onto the remainder classes, 21
- projective Short Weierstrass elliptic curve, 86
- projective coordinates, 68
- projective plane, 68
  
- proof, 133, 136
- proof system, 195
- proofs for proper circuit execution, 150
- prover, 195
- Prover Algorithm, 196
- prover and verifier key pair, 200
- prover phase, 166, 168
- public input, 136
  
- Quadratic Arithmetic Program, 158
- quadratic non-residue, 62
- quadratic residue, 62
- quotient, 9
  
- R1CS satisfiability, 143
- Rank-1 (quadratic) Constraint Systems, 140
- rational numbers, 7
- remainder, 9
- remainder class, 20
- remainder class group, 39
- residue class, 20
- restriction, 38
- ring of polynomials with coefficients in, 54
- rings, 37
- roots, 34
  
- scalar multiplication, 40
- secret evaluation point, 199
- self-inverse, 80
- sets of coordinates, 68
- setup phase, 166
- setup-phase, 166
- SHA256, 48
- sign bit, 78
- signal, 169
- simulation trapdoor, 197, 199
- simultaneous congruences, 19
- SNARK-friendly Twisted Edwards curve, 95
- SNARK-friendly Twisted Edwards curves, 95
- solving the polynomial, 34
- sound, 196
- space, 68
- square Computational Diffie–Hellman Assumption, 46
- square and multiply, 40
- statement, 133, 136, 143, 161
- statements, 152
- static, 184
- strings, 132

---

subfield, 59  
subgroup, 38  
subring, 52  
succinct, 196  
sum, 29  
syntactic sugar, 184

tangent, 79  
target polynomial, 158  
template, 169  
the powers of tau, 203  
the prover, 195  
the verifier, 195  
torsion groups, 102  
toxic waste, 200  
trace, 112  
trace of Frobenius, 112  
trivial group, 38  
trusted third party, 200  
try-and-increment, 109

uniformity, 47  
unit, 52  
univariate polynomial, 26

valid assignment, 150  
variable, 26  
verified, 133, 136  
verifier, 195  
Verifier Algorithm, 196

Weil pairing, 107  
whole numbers, 6  
witness, 136, 140  
witness generation, 152  
witness generator functions, 144  
words, 133

zero polynomial, 26  
zero-knowledge, 136, 196  
zero-knowledge protocol, 195  
zk-SNARKs, 196

# Bibliography

- Hongxi Wu. *Understanding numbers in elementary school mathematics*. American Mathematical Society, Providence, RI, 2011. ISBN 9780821852606.
- Maurice Mignotte. *Mathematics for Computer Algebra*. 01 1992. ISBN 978-3-540-97675-2. doi: 10.1007/978-1-4613-9171-5.
- G.H. Hardy, E.M. Wright, D.R. Heath-Brown, R. Heath-Brown, J. Silverman, and A. Wiles. *An Introduction to the Theory of Numbers*. Oxford mathematics. OUP Oxford, 2008. ISBN 9780199219865. URL <https://books.google.de/books?id=P6uTBqOa3T4C>.
- B. Fine and G. Rosenberger. *Number Theory: An Introduction via the Density of Primes*. Springer International Publishing, 2016. ISBN 9783319438733. URL <https://books.google.de/books?id=-UaWDAEACAAJ>.
- P.W. Shor. Algorithms for quantum computation: discrete logarithms and factoring. In *Proceedings 35th Annual Symposium on Foundations of Computer Science*, pages 124–134, 1994. doi: 10.1109/SFCS.1994.365700.
- Henri Cohen. *A Course in Computational Algebraic Number Theory*. Springer Publishing Company, Incorporated, 2010. ISBN 3642081428.
- Rudolf Lidl and Harald Niederreiter. *Introduction to finite fields and their applications / Rudolf Lidl, Harald Niederreiter*. Cambridge University Press Cambridge [Cambridgeshire] ; New York, 1986. ISBN 0521307066.
- László Fuchs. *Abelian groups*. Springer Monogr. Math. Cham: Springer, 2015. ISBN 978-3-319-19421-9; 978-3-319-19422-6. doi: 10.1007/978-3-319-19422-6.
- Jonathan Katz and Yehuda Lindell. *Introduction to Modern Cryptography*. Chapman and Hall/CRC Press, 2007. ISBN 978-1-58488-551-1.
- Torben Pryds Pedersen. Non-interactive and information-theoretic secure verifiable secret sharing. In Joan Feigenbaum, editor, *Advances in Cryptology — CRYPTO '91*, pages 129–140, Berlin, Heidelberg, 1992. Springer Berlin Heidelberg. ISBN 978-3-540-46766-3. URL <https://fmouhart.epheme.re/Crypto-1617/TD08.pdf>.
- G. Ellis and L.D.M.G. Ellis. *Rings and Fields*. Oxford science publications. Clarendon Press, 1992. ISBN 9780198534556. URL <https://books.google.de/books?id=gDaKGfDMA1wC>.
- J.H. Silverman and J.T. Tate. *Rational Points on Elliptic Curves*. Undergraduate Texts in Mathematics. Springer New York, 1994. ISBN 9780387978253. URL <https://books.google.de/books?id=mAJei2-JcE4C>.

- J. Hoffstein, J. Pipher, and J.H. Silverman. *An Introduction to Mathematical Cryptography*. Undergraduate Texts in Mathematics. Springer New York, 2008. ISBN 9780387779942. URL <https://books.google.de/books?id=z2SBIhmqMBMC>.
- Marta Bellés-Muñoz, Barry Whitehat, Jordi Baylina, Vanesa Daza, and Jose Luis Muñoz-Tapia. Twisted edwards elliptic curves for zero-knowledge circuits. *Mathematics*, 9(23), 2021. ISSN 2227-7390. doi: 10.3390/math9233022. URL <https://www.mdpi.com/2227-7390/9/23/3022>.
- E. A. Grechnikov. Method for constructing elliptic curves using complex multiplication and its optimizations. 2012. doi: 10.48550/ARXIV.1207.6983. URL <https://arxiv.org/abs/1207.6983>.
- Paulo S. L. M. Barreto, Ben Lynn, and Michael Scott. Constructing elliptic curves with prescribed embedding degrees. Cryptology ePrint Archive, Paper 2002/088, 2002. URL <https://eprint.iacr.org/2002/088>. <https://eprint.iacr.org/2002/088>.
- Atsuko Miyaji, Masaki Nakabayashi, and Shunzo Takano. New explicit conditions of elliptic curve traces for fr-reduction. *IEICE Transactions on Fundamentals of Electronics, Communications and Computer Sciences*, 84:1234–1243, 2001.
- David Freeman, Michael Scott, and Edlyn Teske. A taxonomy of pairing-friendly elliptic curves. Cryptology ePrint Archive, Paper 2006/372, 2006. URL <https://eprint.iacr.org/2006/372>. <https://eprint.iacr.org/2006/372>.
- David Freeman, Michael Scott, and Edlyn Teske. A taxonomy of pairing-friendly elliptic curves. *J. Cryptol.*, 23(2):224–280, 2010. URL <http://dblp.uni-trier.de/db/journals/joc/joc23.html#FreemanST10>.
- R.N. Moll, J. Pustejovsky, M.A. Arbib, and A.J. Kfoury. *An Introduction to Formal Language Theory*. Monographs in Computer Science. Springer New York, 2012. ISBN 9781461395959. URL <https://books.google.de/books?id=tprhBwAAQBAJ>.
- Eli Ben-Sasson, Alessandro Chiesa, Daniel Genkin, Eran Tromer, and Madars Virza. Snarks for c: Verifying program executions succinctly and in zero knowledge. Cryptology ePrint Archive, Paper 2013/507, 2013. URL <https://eprint.iacr.org/2013/507>. <https://eprint.iacr.org/2013/507>.
- Jens Groth. On the size of pairing-based non-interactive arguments. *IACR Cryptol. ePrint Arch.*, 2016:260, 2016. URL <http://eprint.iacr.org/2016/260>.
- Sean Bowe, Ariel Gabizon, and Ian Miers. Scalable multi-party computation for zk-snark parameters in the random beacon model. Cryptology ePrint Archive, Paper 2017/1050, 2017. URL <https://eprint.iacr.org/2017/1050>. <https://eprint.iacr.org/2017/1050>.

# Creative Commons Attribution-NonCommercial-NoDerivatives 4.0 International Public License

By exercising the Licensed Rights (defined below), You accept and agree to be bound by the terms and conditions of this Creative Commons Attribution-NonCommercial-NoDerivatives 4.0 International Public License (“Public License”). To the extent this Public License may be interpreted as a contract, You are granted the Licensed Rights in consideration of Your acceptance of these terms and conditions, and the Licensor grants You such rights in consideration of benefits the Licensor receives from making the Licensed Material available under these terms and conditions.

## Section 1 – Definitions.

- a. **Adapted Material** means material subject to Copyright and Similar Rights that is derived from or based upon the Licensed Material and in which the Licensed Material is translated, altered, arranged, transformed, or otherwise modified in a manner requiring permission under the Copyright and Similar Rights held by the Licensor. For purposes of this Public License, where the Licensed Material is a musical work, performance, or sound recording, Adapted Material is always produced where the Licensed Material is synched in timed relation with a moving image.
- b. **Copyright and Similar Rights** means copyright and/or similar rights closely related to copyright including, without limitation, performance, broadcast, sound recording, and Sui Generis Database Rights, without regard to how the rights are labeled or categorized. For purposes of this Public License, the rights specified in Section 2(b)(1)-(2) are not Copyright and Similar Rights.
- c. **Effective Technological Measures** means those measures that, in the absence of proper authority, may not be circumvented under laws fulfilling obligations under Article 11 of the WIPO Copyright Treaty adopted on December 20, 1996, and/or similar international agreements.
- d. **Exceptions and Limitations** means fair use, fair dealing, and/or any other exception or limitation to Copyright and Similar Rights that applies to Your use of the Licensed Material.
- e. **Licensed Material** means the artistic or literary work, database, or other material to which the Licensor applied this Public License.
- f. **Licensed Rights** means the rights granted to You subject to the terms and conditions of this Public License, which are limited to all Copyright and Similar Rights that apply to Your use of the Licensed Material and that the Licensor has authority to license.
- g. **Licensor** means the individual(s) or entity(ies) granting rights under this Public License.
- h. **NonCommercial** means not primarily intended for or directed towards commercial advantage or monetary compensation. For purposes of this Public License, the exchange of the Licensed Material for other material subject to Copyright and Similar Rights by digital file-sharing or similar means is NonCommercial provided there is no payment of monetary compensation in connection with the exchange.

- i. **Share** means to provide material to the public by any means or process that requires permission under the Licensed Rights, such as reproduction, public display, public performance, distribution, dissemination, communication, or importation, and to make material available to the public including in ways that members of the public may access the material from a place and at a time individually chosen by them.
- j. **Sui Generis Database Rights** means rights other than copyright resulting from Directive 96/9/EC of the European Parliament and of the Council of 11 March 1996 on the legal protection of databases, as amended and/or succeeded, as well as other essentially equivalent rights anywhere in the world.
- k. **You** means the individual or entity exercising the Licensed Rights under this Public License. Your has a corresponding meaning.

## Section 2 – Scope.

### a. License grant.

1. Subject to the terms and conditions of this Public License, the Licensor hereby grants You a worldwide, royalty-free, non-sublicensable, non-exclusive, irrevocable license to exercise the Licensed Rights in the Licensed Material to:
  - A. reproduce and Share the Licensed Material, in whole or in part, for NonCommercial purposes only; and
  - B. produce and reproduce, but not Share, Adapted Material for NonCommercial purposes only.
2. Exceptions and Limitations. For the avoidance of doubt, where Exceptions and Limitations apply to Your use, this Public License does not apply, and You do not need to comply with its terms and conditions.
3. Term. The term of this Public License is specified in Section 6(a).
4. Media and formats; technical modifications allowed. The Licensor authorizes You to exercise the Licensed Rights in all media and formats whether now known or hereafter created, and to make technical modifications necessary to do so. The Licensor waives and/or agrees not to assert any right or authority to forbid You from making technical modifications necessary to exercise the Licensed Rights, including technical modifications necessary to circumvent Effective Technological Measures. For purposes of this Public License, simply making modifications authorized by this Section 2(a)(4) never produces Adapted Material.
5. Downstream recipients.
  - A. Offer from the Licensor – Licensed Material. Every recipient of the Licensed Material automatically receives an offer from the Licensor to exercise the Licensed Rights under the terms and conditions of this Public License.
  - B. No downstream restrictions. You may not offer or impose any additional or different terms or conditions on, or apply any Effective Technological Measures to, the Licensed Material if doing so restricts exercise of the Licensed Rights by any recipient of the Licensed Material.
6. No endorsement. Nothing in this Public License constitutes or may be construed as permission to assert or imply that You are, or that Your use of the Licensed Material is, connected with, or sponsored, endorsed, or granted official status by, the Licensor or others designated to receive attribution as provided in Section 3(a)(1)(A)(i).

### b. Other rights.

1. Moral rights, such as the right of integrity, are not licensed under this Public License, nor are publicity, privacy, and/or other similar personality rights; however, to the extent possible, the Licensor waives and/or agrees not to assert any such rights held by the Licensor to the limited extent necessary to allow You to exercise the Licensed Rights, but not otherwise.
2. Patent and trademark rights are not licensed under this Public License.
3. To the extent possible, the Licensor waives any right to collect royalties from You for the exercise of the Licensed Rights, whether directly or through a collecting society under any voluntary or waivable statutory or compulsory licensing scheme. In all other cases the Licensor expressly reserves any right to collect such royalties, including when the Licensed Material is used other than for NonCommercial purposes.

### **Section 3 – License Conditions.**

Your exercise of the Licensed Rights is expressly made subject to the following conditions.

**a. Attribution.**

1. If You Share the Licensed Material, You must:
  - A. retain the following if it is supplied by the Licensor with the Licensed Material:
    - i. identification of the creator(s) of the Licensed Material and any others designated to receive attribution, in any reasonable manner requested by the Licensor (including by pseudonym if designated);
    - ii. a copyright notice;
    - iii. a notice that refers to this Public License;
    - iv. a notice that refers to the disclaimer of warranties;
    - v. a URI or hyperlink to the Licensed Material to the extent reasonably practicable;
  - B. indicate if You modified the Licensed Material and retain an indication of any previous modifications; and
  - C. indicate the Licensed Material is licensed under this Public License, and include the text of, or the URI or hyperlink to, this Public License.

For the avoidance of doubt, You do not have permission under this Public License to Share Adapted Material.

2. You may satisfy the conditions in Section 3(a)(1) in any reasonable manner based on the medium, means, and context in which You Share the Licensed Material. For example, it may be reasonable to satisfy the conditions by providing a URI or hyperlink to a resource that includes the required information.
3. If requested by the Licensor, You must remove any of the information required by Section 3(a)(1)(A) to the extent reasonably practicable.

### **Section 4 – Sui Generis Database Rights.**

Where the Licensed Rights include Sui Generis Database Rights that apply to Your use of the Licensed Material:

- a. for the avoidance of doubt, Section 2(a)(1) grants You the right to extract, reuse, reproduce, and Share all or a substantial portion of the contents of the database for NonCommercial purposes only and provided You do not Share Adapted Material;
- b. if You include all or a substantial portion of the database contents in a database in which You have Sui Generis Database Rights, then the database in which You have Sui Generis Database Rights (but not its individual contents) is Adapted Material; and

- c. You must comply with the conditions in Section 3(a) if You Share all or a substantial portion of the contents of the database.

For the avoidance of doubt, this Section 4 supplements and does not replace Your obligations under this Public License where the Licensed Rights include other Copyright and Similar Rights.

## **Section 5 – Disclaimer of Warranties and Limitation of Liability.**

- a. **Unless otherwise separately undertaken by the Licensor, to the extent possible, the Licensor offers the Licensed Material as-is and as-available, and makes no representations or warranties of any kind concerning the Licensed Material, whether express, implied, statutory, or other. This includes, without limitation, warranties of title, merchantability, fitness for a particular purpose, non-infringement, absence of latent or other defects, accuracy, or the presence or absence of errors, whether or not known or discoverable. Where disclaimers of warranties are not allowed in full or in part, this disclaimer may not apply to You.**
- b. **To the extent possible, in no event will the Licensor be liable to You on any legal theory (including, without limitation, negligence) or otherwise for any direct, special, indirect, incidental, consequential, punitive, exemplary, or other losses, costs, expenses, or damages arising out of this Public License or use of the Licensed Material, even if the Licensor has been advised of the possibility of such losses, costs, expenses, or damages. Where a limitation of liability is not allowed in full or in part, this limitation may not apply to You.**
- c. The disclaimer of warranties and limitation of liability provided above shall be interpreted in a manner that, to the extent possible, most closely approximates an absolute disclaimer and waiver of all liability.

## **Section 6 – Term and Termination.**

- a. This Public License applies for the term of the Copyright and Similar Rights licensed here. However, if You fail to comply with this Public License, then Your rights under this Public License terminate automatically.
- b. Where Your right to use the Licensed Material has terminated under Section 6(a), it reinstates:
  - 1. automatically as of the date the violation is cured, provided it is cured within 30 days of Your discovery of the violation; or
  - 2. upon express reinstatement by the Licensor.

For the avoidance of doubt, this Section 6(b) does not affect any right the Licensor may have to seek remedies for Your violations of this Public License.

- c. For the avoidance of doubt, the Licensor may also offer the Licensed Material under separate terms or conditions or stop distributing the Licensed Material at any time; however, doing so will not terminate this Public License.
- d. Sections 1, 5, 6, 7, and 8 survive termination of this Public License.

## **Section 7 – Other Terms and Conditions.**

- a. The Licensor shall not be bound by any additional or different terms or conditions communicated by You unless expressly agreed.
- b. Any arrangements, understandings, or agreements regarding the Licensed Material not stated herein are separate from and independent of the terms and conditions of this Public License.



## Section 8 – Interpretation.

- a. For the avoidance of doubt, this Public License does not, and shall not be interpreted to, reduce, limit, restrict, or impose conditions on any use of the Licensed Material that could lawfully be made without permission under this Public License.
- b. To the extent possible, if any provision of this Public License is deemed unenforceable, it shall be automatically reformed to the minimum extent necessary to make it enforceable. If the provision cannot be reformed, it shall be severed from this Public License without affecting the enforceability of the remaining terms and conditions.
- c. No term or condition of this Public License will be waived and no failure to comply consented to unless expressly agreed to by the Licensor.
- d. Nothing in this Public License constitutes or may be interpreted as a limitation upon, or waiver of, any privileges and immunities that apply to the Licensor or You, including from the legal processes of any jurisdiction or authority.

Creative Commons is not a party to its public licenses. Notwithstanding, Creative Commons may elect to apply one of its public licenses to material it publishes and in those instances will be considered the “Licensor.” The text of the Creative Commons public licenses is dedicated to the public domain under the *CC0 Public Domain Dedication*. Except for the limited purpose of indicating that material is shared under a Creative Commons public license or as otherwise permitted by the Creative Commons policies published at [creativecommons.org/policies](https://creativecommons.org/policies), Creative Commons does not authorize the use of the trademark “Creative Commons” or any other trademark or logo of Creative Commons without its prior written consent including, without limitation, in connection with any unauthorized modifications to any of its public licenses or any other arrangements, understandings, or agreements concerning use of licensed material. For the avoidance of doubt, this paragraph does not form part of the public licenses.

Creative Commons may be contacted at [creativecommons.org](https://creativecommons.org).

## Sideletter for Contributions to the MoonMath Manual To zk-SNARKs (the “**Sideletter**”)

between Least Authority TFA GmbH, Thaerstraße 28a, 10249 Berlin (hereinafter referred to as “**Least Authority**”) and any natural person or legal entity submitting Contributions to the MoonMath Manual (hereinafter referred to as “**You**” or “**Your**”).

### Preamble

- (A) Least Authority is the initial creator of the so-called MoonMath Manual To zk-SNARKs (the “**Manual**”) which serves as a resource for anyone interested in understanding and unlocking the potential of the so-called “zk-SNARK” technology (“**zk-SNARK**”). The acronym zk-SNARK stands for “Zero-Knowledge Succinct Non-Interactive Argument of Knowledge” and refers to a cryptographic technique where one can prove possession of certain information without revealing the information itself. Most explanations struggle to clarify how and why they work. Resources are scattered across blog posts and Github libraries. This results in a high barrier to entry, thereby slowing the widespread adoption of zk-SNARKs and associated privacy-enhancing technologies.
- (B) Least Authority wants to change that with the Manual by continuing the Manual as a community-based project to collect useful and practical information on the zk-SNARK. Third-party authors like You shall be able to contribute parts, ideas and practical information to the Manual.
- (C) The Manual itself is licensed under the Creative Commons Public License, version *Attribution-NonCommercial-NoDerivatives 4.0 International* (“**CC BY-NC-ND-4.0**”), which allows usage and distribution as well as modification of the Manual. However, if You modify the Manual or create “**Adapted Material**” of the Manual in the sense of Section 1.a. of the CC BY-NC-ND-4.0, those are not allowed to be distributed by You because Section 3.a.1. subsection 2 of the CC BY-NC-ND-4.0 prohibits the distribution of Adapted Material.
- (D) If You wish to participate in the Manual, You can submit Adapted Material on the Manual as well as material created independently from the Manual (“**Independent Creations**”) to Least Authority. If You are interested in adding a major Contribution to the Manual, please contact Least Authority directly under [mmm@leastauthority.com](mailto:mmm@leastauthority.com) and we can discuss if Your contribution can be handled individually with different terms.
- (E) Subject of this Sideletter shall be the licensing of Your Contribution to Least Authority.

Now it is agreed as follows:

### §1

#### License on Your Submitted Contribution

- (1) You can contribute any written work, graphic, calculation method, compilation of information, database, or any other work of authorship, including any modifications or additions to the Manual that is created by You by submitting it to Least Authority for the purpose of the inclusion

in the Manual, regardless of whether it is an Independent Creation or Adapted Material (each of them a “**Contribution**”). “**Submission**” in this sense includes any form of electronic, verbal, or written communication sent to Least Authority under [mmm@leastauthority.com](mailto:mmm@leastauthority.com) or uploaded to <https://github.com/LeastAuthority/moonmath-manual>. For clarity: Least Authority is not obligated to include Your Contribution in the Manual.

- (2) You hereby grant Least Authority a perpetual, worldwide, non-exclusive, sublicensable, irrevocable and royalty-free right to use, modify, edit, make publicly available and distribute Your Contribution in tangible and intangible form or any other way now known or in the future developed in their original or modified way (within the limits of the prohibition of defacement), as well as to combine it in the original or modified way with or into the Manual (“**License**”). The License does at least include all rights required to license the Contribution under the CC BY-NC-ND-4.0 and in particular allows Least Authority to use, modify, edit, make publicly available and distribute in tangible and intangible form or any other way now known or in the future developed the Contribution as part of the Manual. Least Authority hereby accepts the grant of the License.
- (3) If Least Authority decides that Your Contribution or parts thereof shall be included in the Manual, Least Authority will ensure the following:
  - a) the Contribution as part of the Manual is licensed under the CC BY-NC-ND-4.0,
  - b) You will be identified as a Contributor (including by pseudonym if designated) in the Manual.

The rule § 1 (3) b) only applies if Your name or pseudonym is supplied with the Contribution.

- (4) In case Least Authority decides that only parts or revisions of Your Contribution will be included in the Manual, Least Authority will inform You within a reasonable period of time and obtain Your consent to license the parts / revisions of Your Contribution corresponding to §1 (2). No consent is needed if only editorial changes are made by Least Authority. In case You decide to submit Your Contribution with no information to contact You, this clause § 1 (4) shall not apply since Least Authority has no possibility to obtain Your consent.
- (5) In case Least Authority decides that Your Contribution will not be part of the Manual, Least Authority shall use reasonable means to inform you on its decision within a reasonable period of time after Your Submission. The License You granted to Least Authority ends with the decision by Least Authority not to include the Contributions into the Manual.

## §2

### **Disclaimer**

- (1) Unless otherwise separately undertaken by You, to the extent possible, You offer the Contribution as-is and as-available, and make no representations or warranties of any kind concerning the Contribution, whether express, implied, statutory, or other. This includes, without limitation, warranties of title, merchantability, fitness for a particular purpose, non-infringement, absence of latent or other defects, accuracy, or the presence or absence of errors, whether or not known or discoverable. Where disclaimers of warranties are not allowed in full or in part, this disclaimer may not apply to You.
- (2) To the extent possible, in no event will You be liable to us on any legal theory (including, without limitation, negligence) or otherwise for any direct, special, indirect, incidental, consequential, punitive, exemplary, or other losses, costs, expenses, or damages arising out of this Side Letter or use of the Contribution, even if You have been advised of the possibility of such losses, costs, expenses, or damages. Where a limitation of liability is not allowed in full or in part, this limitation may not apply to You.

- (3) The disclaimer of warranties and limitation of liability provided above shall be interpreted in a manner that, to the extent possible, most closely approximates an absolute disclaimer and waiver of all liability.

§3

**Miscellaneous**

- (1) This Sideletter is valid without signature. It is concluded between You and Least Authority at the time of the submission of the Contribution by You to Least Authority.
- (2) This Sideletter and its interpretation and any non-contractual obligations in connection with it are subject to German substantive law. The UN Convention on Contracts for the International Sale of Goods (CISG) shall not apply.
- (3) English language terms used in this Sideletter describe German legal concepts only and shall not be interpreted by reference to any meaning attributed to them in any jurisdiction other than Germany. Where a German term has been inserted in brackets and/or italics it alone (and not the English term to which it relates) shall be authoritative for the purpose of the interpretation of the relevant term whenever it is used in this Agreement.
- (4) Should one or more provisions of this Sideletter be or become invalid or unenforceable in whole or in part, this shall not affect the validity and enforceability of the remaining provisions of this Sideletter. In place of any Standard Terms of Business (*Allgemeine Geschäftsbedingungen*) which are invalid or not incorporated in the Sideletter the statutory provisions shall apply (§ 306 (2) of the German Civil Code (BGB)). In all other cases, the parties shall agree a valid provision to replace the invalid or unenforceable provision which reflects as closely as possible the original economic purpose, provided a supplementary interpretation of the Sideletter (*ergänzende Vertragsauslegung*) does not have precedence or is not possible.
- (5) Amendments and additions to this Sideletter shall be valid only if made in writing. This also applies to any amendment to this written form clause.
- (6) Any disputes arising out of or in connection with this Sideletter, including disputes on its conclusion, binding effects, amendment and termination, shall be dealt with exclusively by the competent court in Berlin, Germany, if legally possible.