

May 20, 1959

LGP-30 COMPUTER CHECK-OUT PRINTS

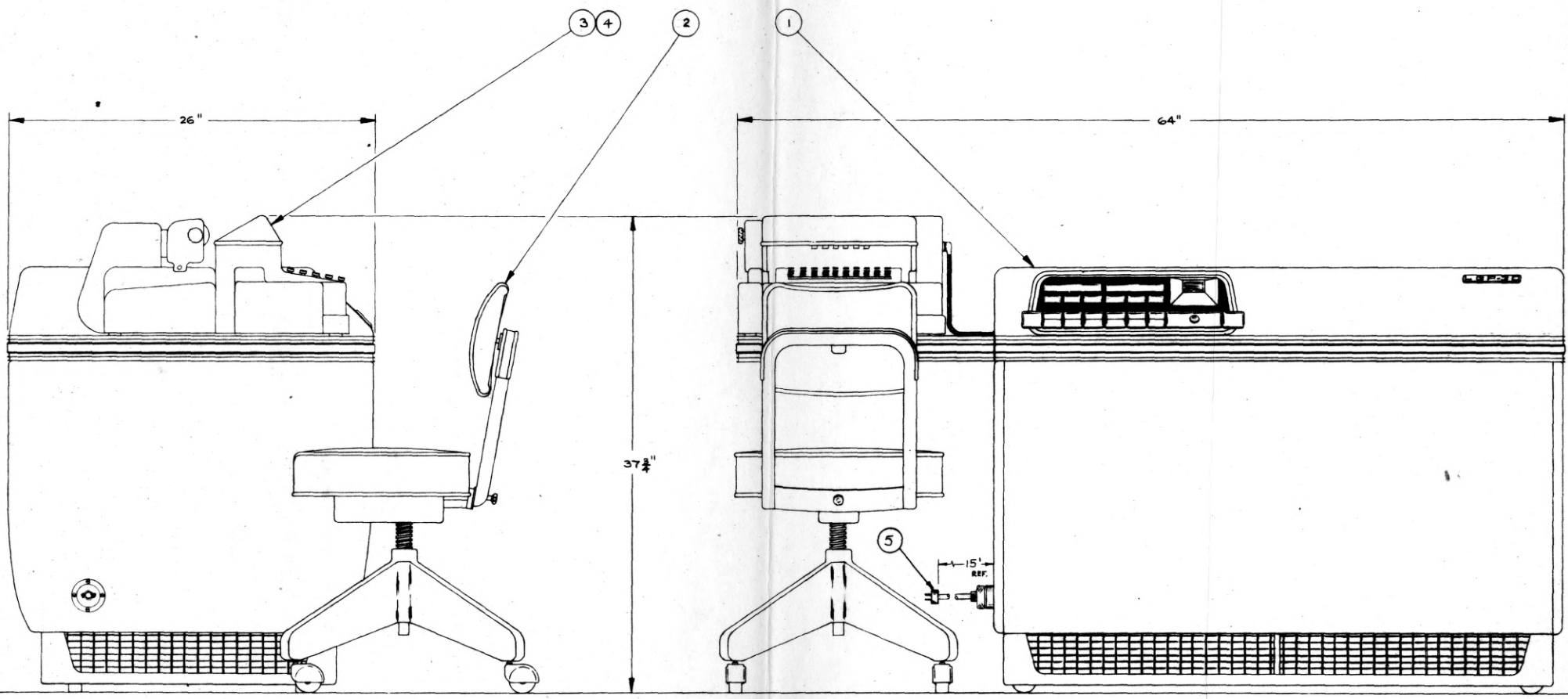
D	311951	Head Switching Matrix Schematic
D	312105	Installation LGP-30
C	312140	Power Sequence
C	312142	Control Panel Schematic
R	312144	Memory Section Internal Wiring
R	312146	Memory Drum Wiring Diagram
R	312148	Logic Section Internal Wiring
B	312150	Triple Inverter Schematic
B	312151	Triple Flip Flop Schematic
B	312152	Cathode Follower Schematic
B	312153	Thyratron Schematic
B	312154	Clock Generator Schematic
B	312155	Matrix Driver Schematic
B	312156-1	Read Flip Flop Schematic
B	312156-2	Read Flip Flop Schematic
B	312157	Record Amplifier Schematic
B	312158	Read Record Gate Diagram
C	312159	Vertical Deflection Amplifier Schematic
B	312160	Horizontal Sweep Generator Schematic
B	312166	Display Controls
D	312605	System Cables
A	312613	Line Cord
R	312618	Power Sequence Internal Wiring
C	312619	Power Supply
D	312623	Digital Display
B	313691	Terminal Connections
D	314172	Flexwriter Schematic
D	314611	Logic Board Schematic

Serial 335

NOTE:
1. FOR PARTS SUMMARY SEE 314638.

312105

ITEM 1		
SER. NOS.	MOD. NO.	PART NO.
3-12	LGP-30	310530
13-62	LGP-30-1	314630
63-112	LGP-30-2	314631
113-212	LGP-30-3	314632



REVISIONS
1. SCALE: 1/4" = 1'-0"
2. DATE: 11/15/62
3. BY: J. W. B. / J. W. B.
4. CHECKED: J. W. B. / J. W. B.
5. APPROVED: J. W. B. / J. W. B.
6. DRAWING NO. 312105
7. PART NO. 312105
8. QUANTITY 1
9. DESCRIPTION LGP-30 COMPUTER
10. CHANGED TO CITY
11. CHANGED TO CITY
12. CHANGED TO CITY
13. CHANGED TO CITY
14. CHANGED TO CITY
15. CHANGED TO CITY
16. CHANGED TO CITY
17. CHANGED TO CITY
18. CHANGED TO CITY
19. CHANGED TO CITY
20. CHANGED TO CITY
21. CHANGED TO CITY
22. CHANGED TO CITY
23. CHANGED TO CITY
24. CHANGED TO CITY
25. CHANGED TO CITY
26. CHANGED TO CITY
27. CHANGED TO CITY
28. CHANGED TO CITY
29. CHANGED TO CITY
30. CHANGED TO CITY
31. CHANGED TO CITY
32. CHANGED TO CITY
33. CHANGED TO CITY
34. CHANGED TO CITY
35. CHANGED TO CITY
36. CHANGED TO CITY
37. CHANGED TO CITY
38. CHANGED TO CITY
39. CHANGED TO CITY
40. CHANGED TO CITY
41. CHANGED TO CITY
42. CHANGED TO CITY
43. CHANGED TO CITY
44. CHANGED TO CITY
45. CHANGED TO CITY
46. CHANGED TO CITY
47. CHANGED TO CITY
48. CHANGED TO CITY
49. CHANGED TO CITY
50. CHANGED TO CITY
51. CHANGED TO CITY
52. CHANGED TO CITY
53. CHANGED TO CITY
54. CHANGED TO CITY
55. CHANGED TO CITY
56. CHANGED TO CITY
57. CHANGED TO CITY
58. CHANGED TO CITY
59. CHANGED TO CITY
60. CHANGED TO CITY
61. CHANGED TO CITY
62. CHANGED TO CITY
63. CHANGED TO CITY
64. CHANGED TO CITY
65. CHANGED TO CITY
66. CHANGED TO CITY
67. CHANGED TO CITY
68. CHANGED TO CITY
69. CHANGED TO CITY
70. CHANGED TO CITY
71. CHANGED TO CITY
72. CHANGED TO CITY
73. CHANGED TO CITY
74. CHANGED TO CITY
75. CHANGED TO CITY
76. CHANGED TO CITY
77. CHANGED TO CITY
78. CHANGED TO CITY
79. CHANGED TO CITY
80. CHANGED TO CITY
81. CHANGED TO CITY
82. CHANGED TO CITY
83. CHANGED TO CITY
84. CHANGED TO CITY
85. CHANGED TO CITY
86. CHANGED TO CITY
87. CHANGED TO CITY
88. CHANGED TO CITY
89. CHANGED TO CITY
90. CHANGED TO CITY
91. CHANGED TO CITY
92. CHANGED TO CITY
93. CHANGED TO CITY
94. CHANGED TO CITY
95. CHANGED TO CITY
96. CHANGED TO CITY
97. CHANGED TO CITY
98. CHANGED TO CITY
99. CHANGED TO CITY
100. CHANGED TO CITY

QTY	PART NO.	NAME & DESCRIPTION
1	13 31517	TAPE REWINDER ASSY
1	12 31513-2	LGP-30 HIGH SPEED READER
1	11 314702	LINE CORD FLEXWRITER
1	10 31423-1	LGP-30 HIGH SPEED READER
1	9 314673	PUNCHED TAPE REWINDER

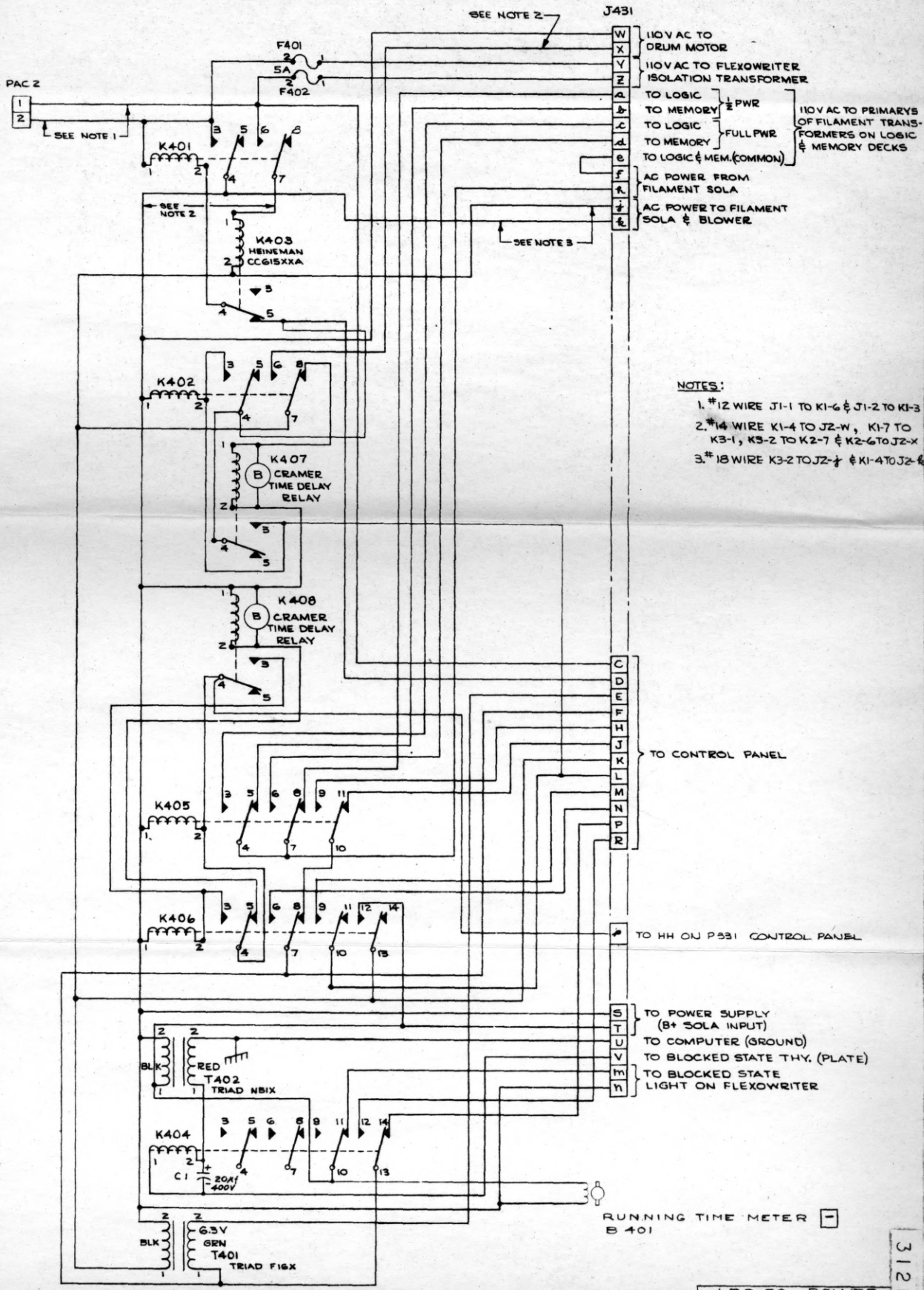
QTY	PART NO.	NAME & DESCRIPTION
3	2 314542	CARD EXTENDER-23 PIN
3	7 314541	CARD EXTENDER-23 PIN
3	6 314553	HANDLE - LARRYING
3	4 312613	LINE CORD
3	4 312611	CABLE - FLEXWRITER JUMPER
3	3 312102	SEE CHART
3	2 312104	CHAIR
1	SEE CHART	LGP-30 COMPUTER

INSTALLATION
LGP-30

LIBRASCOPY
LIBRASCOPY
INCORPORATED
SUNNYVALE, CALIFORNIA, U.S.A.

312105

ADDED RUNNING TIME METER
REMOVED JUMPER WIRES FROM TO
K-401-1 K-407-4
K-402-4 K-407-5
K-403-2 K-402-2
K-403-10 K-402-4
K-403-12 K-402-4
K-403-14 K-402-4
ADDED JUMPER WIRES FROM TO
J431-L K-407-5
K-402-4 K-402-4
K-402-2 K-402-10
K-402-4 K-407-5
K-403-4 K-407-4
K-403-5 K-402-4
K-431-7 K-402-4
FOR M.V. 2-4-56
CH 3-7-56



- NOTES:**
- #12 WIRE J1-1 TO K1-6 & J1-2 TO K1-3
 - #14 WIRE K1-4 TO J2-W, K1-7 TO K3-1, K3-2 TO K2-7 & K2-6 TO J2-X
 - #18 WIRE K3-2 TO J2-Z & K1-4 TO J2-Z

NA 312618

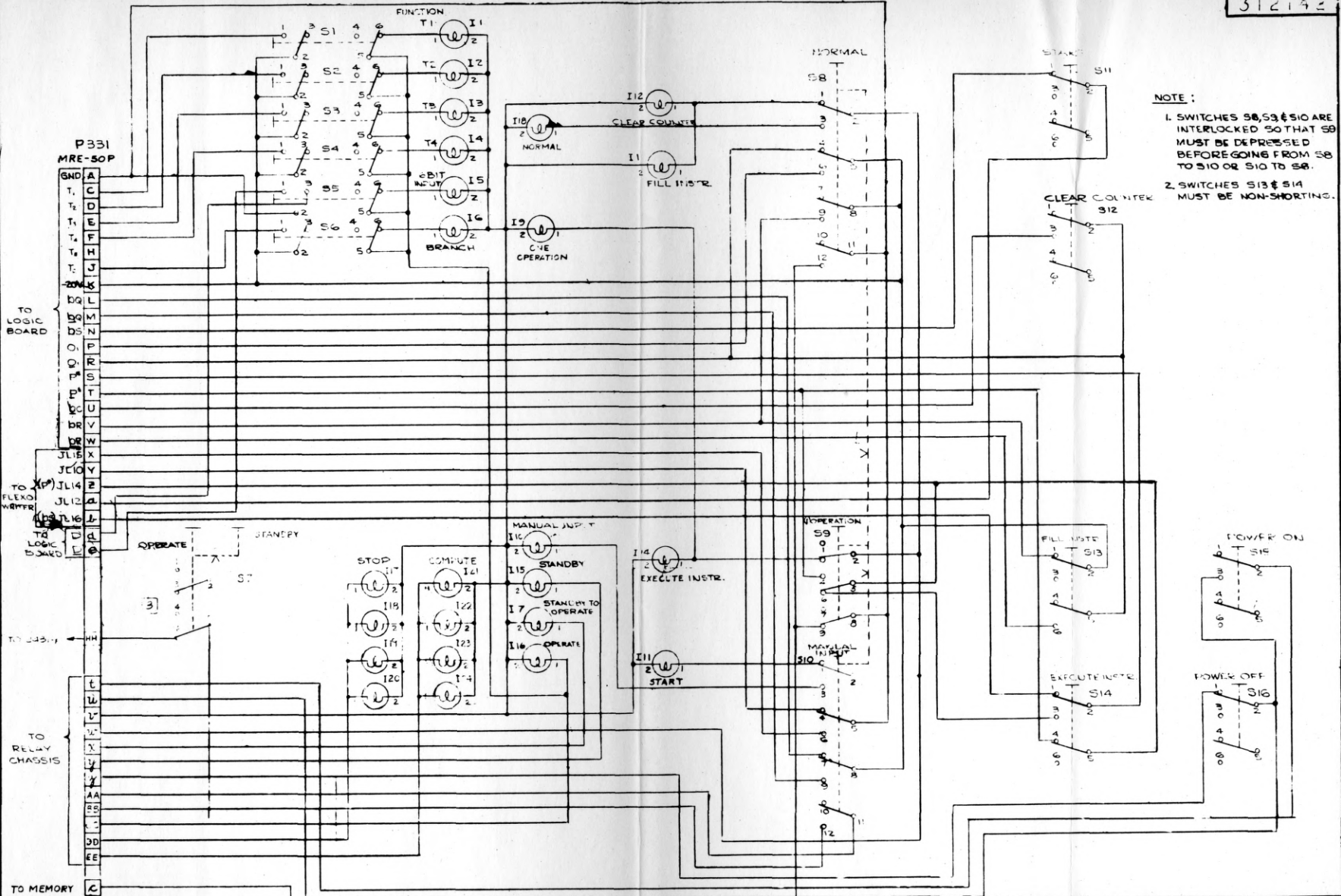
LPG-30 POWER SEQUENCE CONTROL UNIT SCHEMATIC

BRASCOPES

312140

LPG-30 POWER SEQUENCE CONTROL UNIT SCHEMATIC

312140



NOTE:
 1. SWITCHES S8, S9 & S10 ARE INTERLOCKED SO THAT S9 MUST BE DEPRESSED BEFORE GOING FROM S8 TO S10 OR S10 TO S8.
 2. SWITCHES S13 & S14 MUST BE NON-SHORTING.

UNLESS OTHERWISE SPECIFIED DIMENSIONS ARE IN INCHES TOLERANCES ARE AS SHOWN FRACTIONAL ± 1/64 8 PLACES ± .008 4 PLACES ± .0008 ANGULAR ± 1° BREAK EDGES .005 MAX

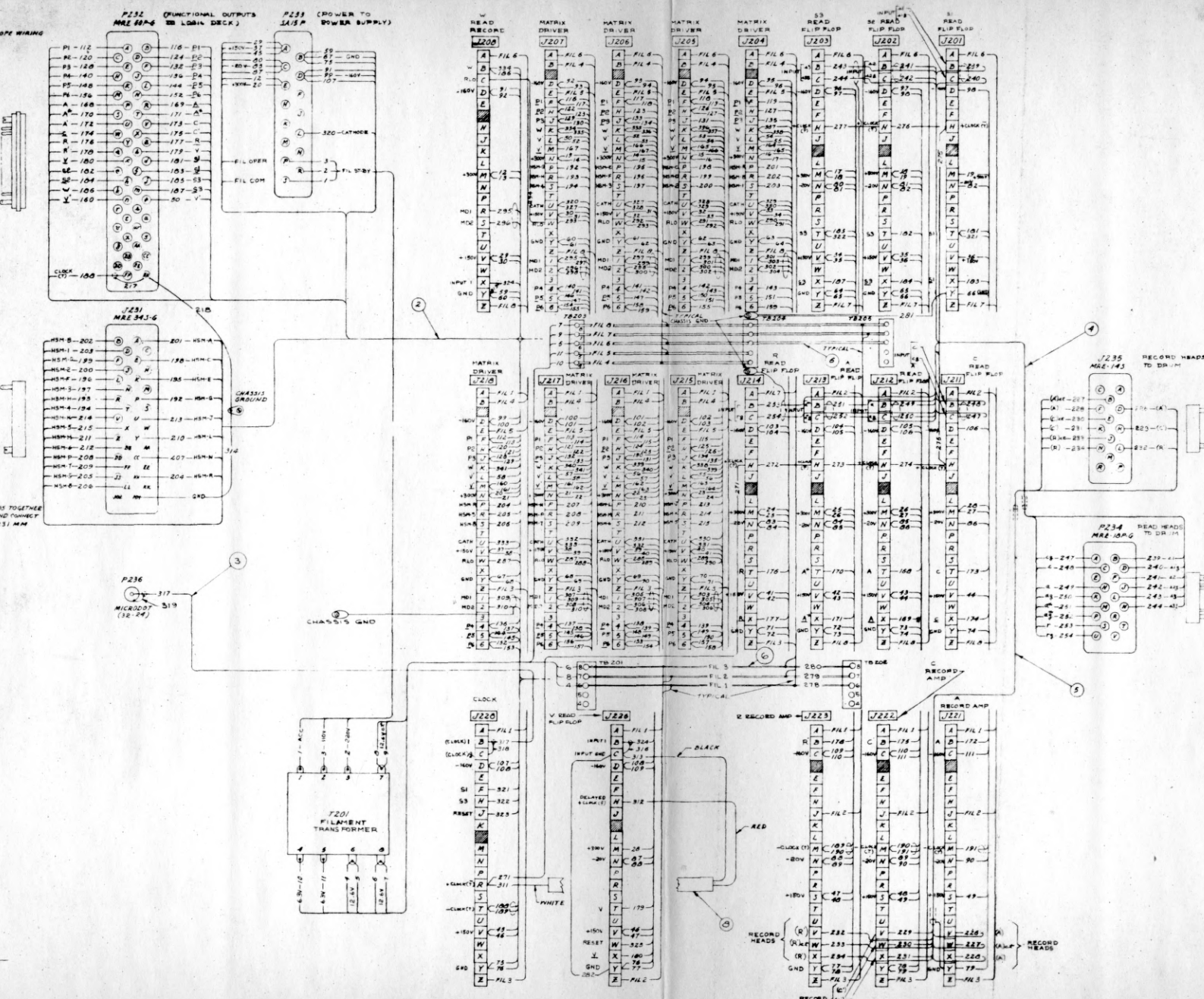
REVISIONS
 1. DEC 1949
 2. DEC 1949
 3. DEC 1949
 4. DEC 1949
 5. DEC 1949
 6. DEC 1949
 7. DEC 1949
 8. DEC 1949
 9. DEC 1949
 10. DEC 1949
 11. DEC 1949
 12. DEC 1949
 13. DEC 1949
 14. DEC 1949
 15. DEC 1949
 16. DEC 1949
 17. DEC 1949
 18. DEC 1949
 19. DEC 1949
 20. DEC 1949
 21. DEC 1949
 22. DEC 1949
 23. DEC 1949
 24. DEC 1949
 25. DEC 1949
 26. DEC 1949
 27. DEC 1949
 28. DEC 1949
 29. DEC 1949
 30. DEC 1949
 31. DEC 1949
 32. DEC 1949
 33. DEC 1949
 34. DEC 1949
 35. DEC 1949
 36. DEC 1949
 37. DEC 1949
 38. DEC 1949
 39. DEC 1949
 40. DEC 1949
 41. DEC 1949
 42. DEC 1949
 43. DEC 1949
 44. DEC 1949
 45. DEC 1949
 46. DEC 1949
 47. DEC 1949
 48. DEC 1949
 49. DEC 1949
 50. DEC 1949

UNLESS OTHERWISE SPECIFIED DIMENSIONS ARE IN INCHES TOLERANCES ARE AS SHOWN FRACTIONAL ± 1/64 8 PLACES ± .008 4 PLACES ± .0008 ANGULAR ± 1° BREAK EDGES .005 MAX		CONTROL PANEL SCHEMATIC		LIBRASCOPE INCORPORATED GLENDALE, CALIFORNIA, U.S.A.
MATERIAL		APPLIED FINISH		
DATE	CHECKED DATE	APPROVED DATE	SCALE NONE	
12-27-50	7/25/51	3/28/52	DRAWING NO. 312142	

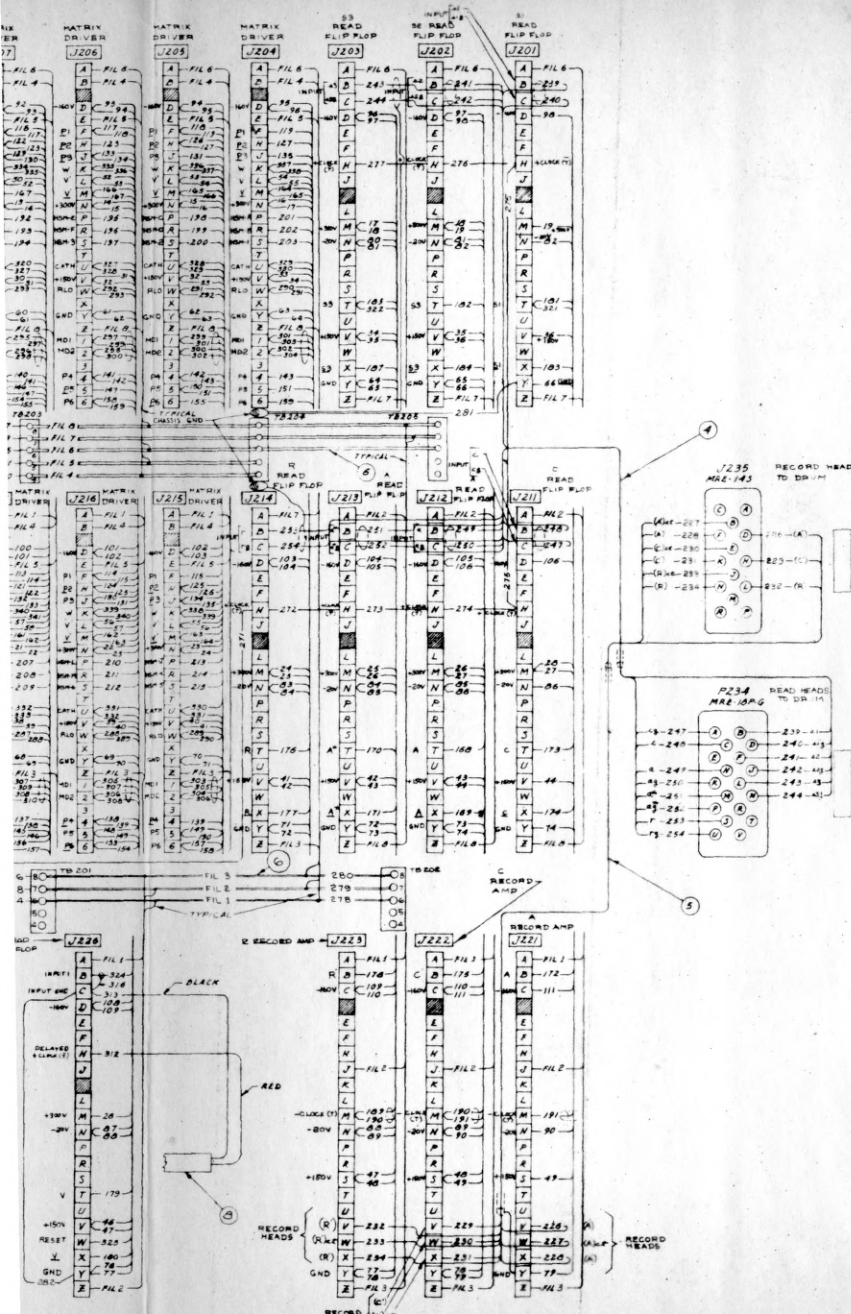
44-312149

NOTE 1. WIRE IN ACCORDANCE WITH LIBRARYSCOPE WIRING INSTRUCTION MANUAL

NOTE 2. TIE SHIELDS TOGETHER AND CONNECT TO PIN 253/1MM



HARNESS 'B' (FOR REAR ONLY)			
WIRE NO.	WIRE DESCRIPTION	FROM	TO
1	122006-4000	P233-S	T201-1
2	-4000	P233-R	T201-3
3	-4000	P233-F	T201-2
4	-4000	T201-B	T201-E
5	-4000	T201-A	T201-E
6	-4000	T201-B	T201-D
7	-4000	T201-B	T201-C
8	-4000	T201-7	T201-7
9	-4000	T201-7	T201-7
10	-4000	T201-7	T201-7
11	-4000	T201-B	T201-B
12	-2000	P233-E	J208-M
13	-2000	J208-M	J207-N
14	-2000	J207-N	J208-N
15	-2000	J208-N	J205-N
16	-2000	J208-N	J204-N
17	-2000	J208-N	J203-M
18	-2000	J203-M	J202-M
19	-2000	J202-M	J201-M
20	-2000	P233-E	J210-N
21	-2000	J210-N	J217-N
22	-2000	J217-N	J216-N
23	-2000	J216-N	J215-N
24	-2000	J215-N	J214-M
25	-2000	J214-M	J213-M
26	-2000	J213-M	J212-M
27	-2000	J212-M	J211-M
28	-2000	J211-M	J210-M
29	-2000	P233-A	J208-V
30	-2000	J208-V	J207-V
31	-2000	J207-V	J206-V
32	-2000	J206-V	J205-V
33	-2000	J205-V	J204-V
34	-2000	J204-V	J203-V
35	-2000	J203-V	J202-V
36	-2000	J202-V	J201-V
37	-2000	P233-A	J210-V
38	-2000	J210-V	J217-V
39	-2000	J217-V	J216-V
40	-2000	J216-V	J215-V
41	-2000	J215-V	J214-V
42	-2000	J214-V	J213-V
43	-2000	J213-V	J212-V
44	-2000	J212-V	J211-V
45	-2000	P233-A	J220-V
46	-2000	J220-V	J216-V
47	-2000	J216-V	J223-S
48	-2000	J223-S	J222-S
49	-2000	J222-S	J221-S
50	-1000	P232-F	J207-L
51	-1000	J207-L	J206-L
52	-1000	J206-L	J205-L
53	-1000	J205-L	J204-L
54	-1000	J204-L	J203-L
55	-1000	J203-L	J202-L
56	-1000	J202-L	J201-L
57	-1000	J201-L	J217-L
58	-1000	J217-L	J216-L
59	-1000	J216-L	J215-L
60	-1000	J215-L	J214-L
61	-1000	J214-L	J213-L
62	-1000	J213-L	J212-L
63	-1000	J212-L	J211-L
64	-1000	P233-B	J208-Y
65	-1000	J208-Y	J207-Y
66	-1000	J207-Y	J206-Y
67	-1000	J206-Y	J205-Y
68	-1000	J205-Y	J204-Y
69	-1000	J204-Y	J203-Y
70	-1000	J203-Y	J202-Y
71	-1000	J202-Y	J201-Y
72	-1000	P233-B	J210-Y
73	-1000	J210-Y	J217-Y
74	-1000	J217-Y	J216-Y
75	-1000	J216-Y	J215-Y
76	-1000	J215-Y	J214-Y
77	-1000	J214-Y	J213-Y
78	-1000	J213-Y	J212-Y
79	-1000	J212-Y	J211-Y
80	-1000	P233-C	J208-N
81	-1000	J208-N	J207-N
82	-1000	J207-N	J206-N
83	-1000	J206-N	J205-N
84	-1000	J205-N	J204-N
85	-1000	J204-N	J203-N
86	-1000	J203-N	J202-N
87	-1000	J202-N	J201-N
88	-1000	P233-C	J210-N
89	-1000	J210-N	J217-N
90	-1000	J217-N	J216-N
91	-1000	J216-N	J215-N
92	-1000	J215-N	J214-N
93	-1000	J214-N	J213-N
94	-1000	J213-N	J212-N
95	-1000	J212-N	J211-N
96	-1000	J211-N	J210-N
97	-1000	P233-C	J220-N
98	-1000	J220-N	J216-N
99	-1000	J216-N	J223-N
100	-1000	J223-N	J222-N
101	-1000	J222-N	J221-N
102	-1000	J221-N	J220-N
103	-1000	J220-N	J219-N
104	-1000	J219-N	J218-N
105	-1000	J218-N	J217-N
106	-1000	J217-N	J216-N
107	-1000	J216-N	J215-N
108	-1000	J215-N	J214-N
109	-1000	J214-N	J213-N
110	-1000	J213-N	J212-N
111	-1000	J212-N	J211-N
112	-1000	J211-N	J210-N
113	-1000	J210-N	J209-N
114	-1000	J209-N	J208-N
115	-1000	J208-N	J207-N
116	-1000	J207-N	J206-N
117	-1000	J206-N	J205-N
118	-1000	J205-N	J204-N
119	-1000	J204-N	J203-N
120	-1000	J203-N	J202-N
121	-1000	J202-N	J201-N
122	-1000	J201-N	J217-N
123	-1000	J217-N	J216-N
124	-1000	J216-N	J215-N
125	-1000	J215-N	J214-N
126	-1000	J214-N	J213-N
127	-1000	J213-N	J212-N
128	-1000	J212-N	J211-N
129	-1000	J211-N	J210-N
130	-1000	J210-N	J209-N
131	-1000	J209-N	J208-N
132	-1000	J208-N	J207-N
133	-1000	J207-N	J206-N
134	-1000	J206-N	J205-N
135	-1000	J205-N	J204-N
136	-1000	J204-N	J203-N
137	-1000	J203-N	J202-N
138	-1000	J202-N	J201-N
139	-1000	J201-N	J217-N
140	-1000	J217-N	J216-N
141	-1000	J216-N	J215-N
142	-1000	J215-N	J214-N
143	-1000	J214-N	J213-N
144	-1000	J213-N	J212-N
145	-1000	J212-N	J211-N
146	-1000	J211-N	J210-N
147	-1000	J210-N	J209-N
148	-1000	J209-N	J208-N
149	-1000	J208-N	J207-N
150	-1000	J207-N	J206-N
151	-1000	J206-N	J205-N
152	-1000	J205-N	J204-N
153	-1000	J204-N	J203-N
154	-1000	J203-N	J202-N
155	-1000	J202-N	J201-N
156	-1000	J201-N	J217-N
157	-1000	J217-N	J216-N
158	-1000	J216-N	J215-N
159	-1000	J215-N	J214-N
160	-1000	J214-N	J213-N
161	-1000	J213-N	J212-N
162	-1000	J212-N	J211-N
163	-1000	J211-N	J210-N
164	-1000	J210-N	J209-N
165	-1000	J209-N	J208-N
166	-1000	J208-N	J207-N
167	-1000	J207-N	J206-N
168	-1000	J206-N	J205-N
169	-1000	J205-N	J204-N
170	-1000	J204-N	J203-N
171	-1000	J203-N	J202-N
172	-1000	J202-N	J201-N
173	-1000	J201-N	J217-N
174	-1000	J217-N	J216-N
175	-1000	J216-N	J215-N
176	-1000	J215-N	J214-N
177	-1000	J214-N	J213-N
178	-1000	J213-N	J212-N
179	-1000	J212-N	J211-N
180	-1000	J211-N	J210-N



HARNESS B (FOR REF ONLY)

WIRE NO.	WIRE DESCRIPTION	FROM	TO
1	122006-2999	P233-D	J201-D
2	-4993	P233-R	J201-B
3	-4999	P233-P	J201-E
4	-6199	J201-A	J201-B
5		J201-B	J201-C
6		J201-C	J201-D
7		J201-D	J201-E
8		J201-E	J201-F
9	-6999	J201-F	J201-G
10	-6999	J201-G	J201-H
11	-6999	J201-H	J201-I
12	-2999	P233-E	J200-M
13		J200-M	J200-N
14		J200-N	J200-O
15		J200-O	J200-P
16		J200-P	J200-Q
17		J200-Q	J200-R
18		J200-R	J200-S
19		J200-S	J200-T
20		J200-T	J200-U
21		J200-U	J200-V
22		J200-V	J200-W
23		J200-W	J200-X
24		J200-X	J200-Y
25		J200-Y	J200-Z
26		J201-M	J201-N
27		J201-N	J201-O
28		J201-O	J201-P
29		J201-P	J201-Q
30		J201-Q	J201-R
31		J201-R	J201-S
32		J201-S	J201-T
33		J201-T	J201-U
34		J201-U	J201-V
35		J201-V	J201-W
36		J201-W	J201-X
37		J201-X	J201-Y
38		J201-Y	J201-Z
39		J201-Z	J202-A
40		J202-A	J202-B
41		J202-B	J202-C
42		J202-C	J202-D
43		J202-D	J202-E
44		J202-E	J202-F
45		J202-F	J202-G
46		J202-G	J202-H
47		J202-H	J202-I
48		J202-I	J202-J
49	-2999	J223-E	J210-E
50	-1999	P232-A	J207-L
51		J207-L	J207-M
52		J207-M	J207-N
53		J207-N	J207-O
54		J207-O	J207-P
55		J207-P	J207-Q
56		J207-Q	J207-R
57		J207-R	J207-S
58		J207-S	J207-T
59		J207-T	J207-U
60		J207-U	J207-V
61		J207-V	J207-W
62		J207-W	J207-X
63		J207-X	J207-Y
64		J207-Y	J207-Z
65		J207-Z	J208-A
66		J208-A	J208-B
67		J208-B	J208-C
68		J208-C	J208-D
69		J208-D	J208-E
70		J208-E	J208-F
71		J208-F	J208-G
72		J208-G	J208-H
73		J208-H	J208-I
74		J208-I	J208-J
75		J208-J	J208-K
76		J208-K	J208-L
77		J208-L	J208-M
78		J208-M	J208-N
79		J208-N	J208-O
80		J208-O	J208-P
81		J208-P	J208-Q
82		J208-Q	J208-R
83		J208-R	J208-S
84		J208-S	J208-T
85		J208-T	J208-U
86		J208-U	J208-V
87		J208-V	J208-W
88		J208-W	J208-X
89		J208-X	J208-Y
90	122006-2999	J212-N	J211-N

HARNESS B (FOR REF ONLY)

WIRE NO.	WIRE DESCRIPTION	FROM	TO
91	122006-2999	P233-D	J200-D
92		J200-D	J200-E
93		J200-E	J200-F
94		J200-F	J200-G
95		J200-G	J200-H
96		J200-H	J200-I
97		J200-I	J200-J
98		J200-J	J200-K
99		J200-K	J200-L
100		J200-L	J200-M
101		J200-M	J200-N
102		J200-N	J200-O
103		J200-O	J200-P
104		J200-P	J200-Q
105		J200-Q	J200-R
106		J200-R	J200-S
107		J200-S	J200-T
108		J200-T	J200-U
109		J200-U	J200-V
110		J200-V	J200-W
111	-2999	J222-C	J221-C
112	-1999	P232-A	J200-M
113		J200-M	J200-N
114	-1999	J210-N	J210-M
115	-1999	J210-M	J210-L
116	-1999	J210-L	J210-K
117	-1999	J210-K	J210-J
118	-1999	J210-J	J210-I
119	-1999	J210-I	J210-H
120	-1999	J210-H	J210-G
121	-1999	J210-G	J210-F
122	-1999	J210-F	J210-E
123	-1999	J210-E	J210-D
124	-1999	J210-D	J210-C
125	-1999	J210-C	J210-B
126	-1999	J210-B	J210-A
127	-1999	J210-A	J211-A
128	-1999	J211-A	J211-B
129	-1999	J211-B	J211-C
130	-1999	J211-C	J211-D
131	-1999	J211-D	J211-E
132	-1999	J211-E	J211-F
133	-1999	J211-F	J211-G
134	-1999	J211-G	J211-H
135	-1999	J211-H	J211-I
136	-1999	J211-I	J211-J
137	-1999	J211-J	J211-K
138	-1999	J211-K	J211-L
139	-1999	J211-L	J211-M
140	-1999	J211-M	J211-N
141	-1999	J211-N	J211-O
142	-1999	J211-O	J211-P
143	-1999	J211-P	J211-Q
144	-1999	J211-Q	J211-R
145	-1999	J211-R	J211-S
146	-1999	J211-S	J211-T
147	-1999	J211-T	J211-U
148	-1999	J211-U	J211-V
149	-1999	J211-V	J211-W
150	-1999	J211-W	J211-X
151	-1999	J211-X	J211-Y
152	-1999	J211-Y	J211-Z
153	-1999	J211-Z	J212-A
154	-1999	J212-A	J212-B
155	-1999	J212-B	J212-C
156	-1999	J212-C	J212-D
157	-1999	J212-D	J212-E
158	-1999	J212-E	J212-F
159	-1999	J212-F	J212-G
160	-1999	J212-G	J212-H
161	-1999	J212-H	J212-I
162	-1999	J212-I	J212-J
163	-1999	J212-J	J212-K
164	-1999	J212-K	J212-L
165	-1999	J212-L	J212-M
166	-1999	J212-M	J212-N
167	-1999	J212-N	J212-O
168	-1999	J212-O	J212-P
169	-1999	J212-P	J212-Q
170	-1999	J212-Q	J212-R
171	-1999	J212-R	J212-S
172	-1999	J212-S	J212-T
173	-1999	J212-T	J212-U
174	-1999	J212-U	J212-V
175	-1999	J212-V	J212-W
176	-1999	J212-W	J212-X
177	-1999	J212-X	J212-Y
178	-1999	J212-Y	J212-Z
179	-1999	J212-Z	J213-A
180	122006-1999	P232-A	J200-A

HARNESS B (FOR REF ONLY)

WIRE NO.	WIRE DESCRIPTION	FROM	TO
181	122006-1999	P232-A	J201-F
182	-1999	P232-B	J201-G
183	-1999	P232-C	J201-H
184	-1999	P232-D	J201-I
185	-1999	P232-E	J201-J
186	-1999	P232-F	J201-K
187	122006-1999	P232-M	J201-B
188	122006-1999	P232-N	J201-C
189	122006-1999	P232-O	J201-D
190	122006-1999	P232-P	J201-E
191	122006-1999	P232-Q	J201-F
192	122006-1999	P232-R	J201-G
193	122006-1999	P232-S	J201-H
194	122006-1999	P232-T	J201-I
195	122006-1999	P232-U	J201-J
196	122006-1999	P232-V	J201-K
197	122006-1999	P232-W	J201-L
198	122006-1999	P232-X	J201-M
199	122006-1999	P232-Y	J201-N
200	122006-1999	P232-Z	J201-O
201	-1999	J201-W	J201-X
202	-1999	J201-X	J201-Y
203	-1999	J201-Y	J201-Z
204	-1999	J201-Z	J202-A
205	-1999	J202-A	J202-B
206	-1999	J202-B	J202-C
207	-1999	J202-C	J202-D
208	-1999	J202-D	J202-E
209	-1999	J202-E	J202-F
210	-1999	J202-F	J202-G
211	-1999	J202-G	J202-H
212	-1999	J202-H	J202-I
213	-1999	J202-I	J202-J
214	-1999	J202-J	J202-K
215	-1999	J202-K	J202-L
216	122006-1999	P232-M	J201-B
217	122006-1999	P232-N	J201-C
218	122006-1999	P232-O	J201-D
219	122006-1999	P232-P	J201-E
220	122006-1999	P232-Q	J201-F
221	122006-1999	P232-R	J201-G
222	122006-1999	P232-S	J201-H
223	122006-1999	P232-T	J201-I
224	122006-1999	P232-U	J201-J
225	122006-1999	P232-V	J201-K
226	122006-1999	P232-W	J201-L
227	122006-1999	P232-X	J201-M
228	122006-1999	P232-Y	J201-N
229	122006-1999	P232-Z	J201-O
230	122006-1999	P232-A	J201-P
231	122006-1999	P232-B	J201-Q
232	122006-1999	P232-C	J201-R
233	122006-1999	P232-D	J201-S
234	122006-1999	P232-E	J201-T
235	122006-1999	P232-F	J201-U
236	122006-1999	P232-G	J201-V
237	122006-1999	P232-H	J201-W
238	122006-1999	P232-I	J201-X
239	122006-1999	P232-J	J201-Y
240	122006-1999	P232-K	J201-Z
241	122006-1999	P232-L	J202-A
242	122006-1999	P232-M	J202-B
243	122006-1999	P232-N	J202-C
244	122006-1999	P232-O	J202-D

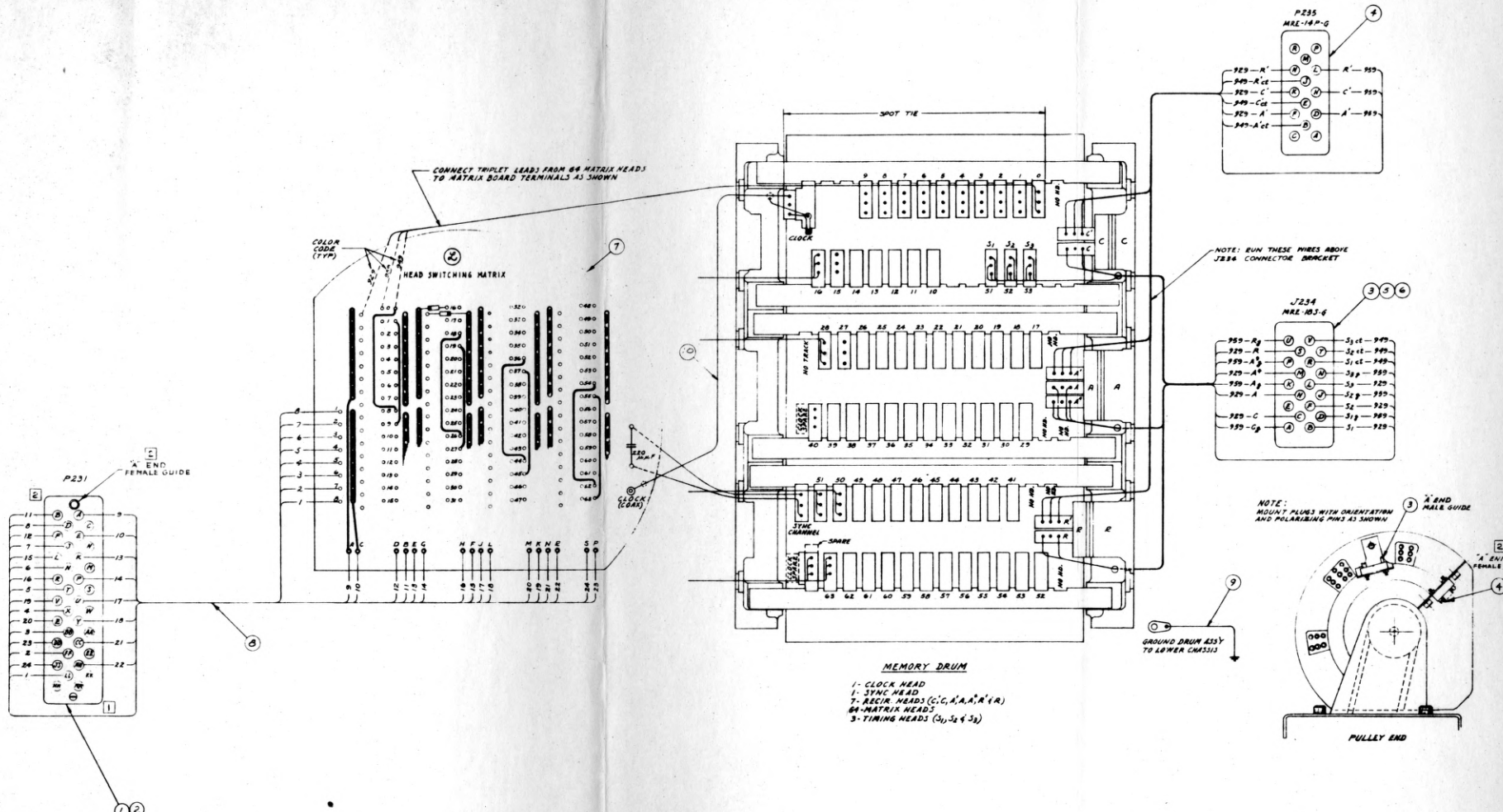
READ HEADS (FOR REF ONLY)

WIRE NO.	WIRE DESCRIPTION	FROM	TO
239	122006-1999	P234-B	J201-B
240	-1999	P234-C	J201-C
241	-1999	P234-D	J201-D
242	-1999	P234-E	J201-E
243	-1999	P234-F	J201-F
244	-1999	P234-G	J201-G
245	-1999	P234-H	J201-H
246	-1999	P234-I	J201-I
247	-1999	P234-J	J201-J
248	-1999	P234-K	J201-K
249	-1999	P234-L	J201-L
250	-1999	P234-M	J201-M
251	-1999	P234-N	J201-N
252	-1999	P234-O	J201-O
253	-1999	P234-P	J201-P
254	122006-1999	P234-U	J201-C

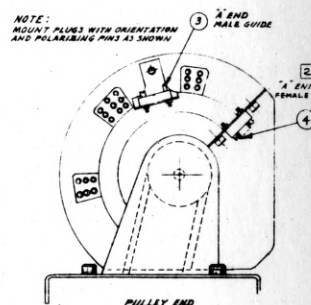
JUMPER WIRES

WIRE NO.	WIRE DESCRIPTION	FROM	TO
271	122006-1999	J208-E	J211-N
272	122006-1999	J208-F	J211-O
273	122006-1999	J208-G	J211-P
274	122006-1999	J208-H	J211-Q
275	122006-1999	J208-I	J211-R
276	122006-1999	J208-J	J211-S
277	122006-1999	J208-K	J211-T
278	122006-1999	J208-L	J211-U
279	122006-1999	J208-M	J211-V
280	122006-1999	J208-N	J211-W
281	122006-1999	J208-O	J211-X
282	122006-1999	J208-P	J211-Y
283	122006-1999	J208-Q	J211-Z
284	122006-1999	J208-R	J211-A
285	122006-1999	J208-S	J211-B
286	122006-1999	J208-T	J211-C
287	122006-1999	J208-U	J211-D
288	122006-1999	J208-V	J211-E
289	122006-1999	J208-W	J211-F
290	122006-1999	J208-X	J211-G
291	122006-1999	J208-Y	J211-H
292	122006-1999	J208-Z	J211-I
293	122006-1999	J208-A	J211-J
294	122006-1999	J208-B	J211-K
295	122006-1999	J208-C	J211-L
296	122006-1999	J208-D	J211-M
297	122006-1999	J208-E	J211-N
298	122006-1999	J208-F	J211-O
299	122006-1999	J208-G	J211-P
300	122006-1999	J208-H	J211-Q
301	122006-1999	J208-I	J211-R
302	122006-1		

- NOTES:
 1. WIRE IN ACCORDANCE WITH LIBRASCOPE WIRING INSTRUCTION MANUAL.
 2. SEE DWG NO 311951 FOR SCHEMATIC (HEAD SWITCHING MATRIX)



MEMORY DRUM
 1- CLOCK HEAD
 1- SYNC HEAD
 7- REC'DR. HEADS (C, C', A, A', R, R')
 64- MATRIX HEADS
 3- TIMING HEADS (31, 32 & 33)



10	818615	REF MICROBODY CABLE CAT NO 80-9104
9	31257	REF GROUND WIRE
8	31216	REF WIRESS
7	80870	REF HEAD SWITCHING MATRIX
6		REF SCREW
5	31088	REF ANGLE PLUG
4		REF WINCHESTER PLUG CAT. NO. MRE-107-G
3		REF WINCHESTER RECPACLE CAT. NO. MRE-107-G
2		REF WINCHESTER HOOD CAT. NO. MRE 34-H
1		REF WINCHESTER PLUG CAT. NO. MRE 34-P-G

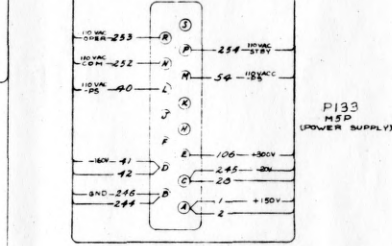
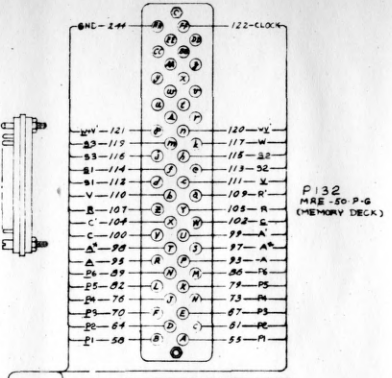
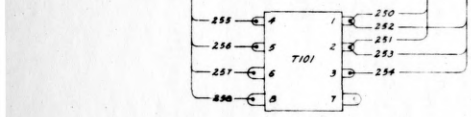
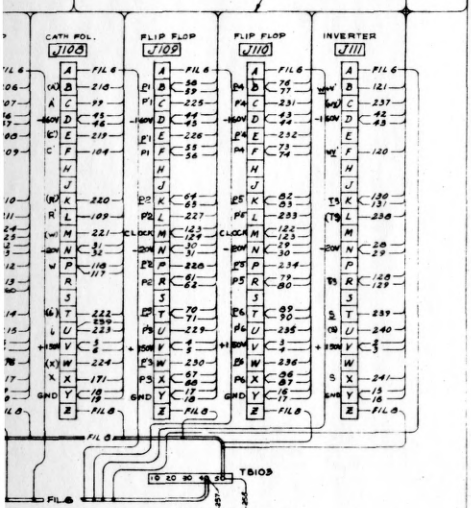
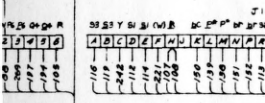
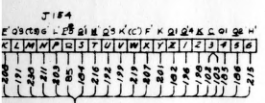
WA-310841

DWG No. 310841

MEMORY DRUM INTERNAL WIRING DIAGRAM

LIBRASCOPE CORPORATION
 ELSENERVILLE, CALIFORNIA, U.S.A.

312146



NOTE:
HARNES A FOR REFERENCE ONLY

HARNES A

WIRE No.	WIRE DESCRIPTION	FROM	TO
1	1220006-1999	P133-A	J183-1
2		P133-A	J111-Y
3		J111-Y	J110-Y
4		J110-Y	J109-Y
5		J109-Y	J108-Y
6		J108-Y	J107-Y
7		J107-Y	J106-Y
8		J106-Y	J105-Y
9		J105-Y	J104-Y
10		J104-Y	J103-Y
11		J103-Y	J102-Y
12		J102-Y	J101-Y
13	-2999	J101-Y	J184-K
14			
15	-2999	J185-V	J111-Y
16		J111-Y	J110-Y
17		J110-Y	J109-Y
18		J109-Y	J108-Y
19		J108-Y	J107-Y
20		J107-Y	J106-Y
21		J106-Y	J105-Y
22		J105-Y	J104-Y
23		J104-Y	J103-Y
24		J103-Y	J102-Y
25		J102-Y	J101-Y
26		J101-Y	J184-M
27	-2999	J184-B	CHASSIS
28	-2999	P133-C	J111-N
29		J111-N	J110-N
30		J110-N	J109-N
31		J109-N	J108-N
32		J108-N	J107-N
33		J107-N	J106-N
34		J106-N	J105-N
35		J105-N	J104-N
36		J104-N	J103-N
37		J103-N	J102-N
38		J102-N	J101-N
39	-2999	J101-N	J183-L
40	-2999	P133-D	J183-Y
41	-2999	J111-D	J111-D
42		J111-D	J110-D
43		J110-D	J109-D
44		J109-D	J108-D
45		J108-D	J107-D
46		J107-D	J106-D
47		J106-D	J105-D
48		J105-D	J104-D
49		J104-D	J103-D
50		J103-D	J102-D
51		J102-D	J101-D
52		J101-D	J183-S
53	-2999	J101-D	J183-M
54	-2999	J183-E	P133-W
55	-2999	P132-A	J109-F
56	-2999	J109-F	J108-E
57	-2999	J108-E	J182-N
58	-2999	P132-B	J107-B
59	-2999	J107-B	J103-P
60	-2999	J103-P	J102-D
61	-2999	P132-C	J103-R
62	-2999	J103-R	J103-K
63	-2999	J103-K	J181-F
64	-2999	P132-D	J103-R
65	-2999	J103-R	J102-E
66	-2999	P131-H	J185-Y
67	-2999	P132-E	J103-R
68	-2999	J103-R	J102-E
69	-2999	P132-E	J181-Y
70	-2999	P132-F	J109-T
71	-2999	J109-T	J102-U
72	-2999	P131-G	J185-X
73	-2999	P132-G	J110-F
74	-2999	J110-F	J102-L
75	-2999	J102-L	J183-C
76	-2999	P132-H	J110-B
77	-2999	J110-B	J102-W
78	-2999	P131-L	J183-W
79	-2999	P132-I	J110-R
80	-2999	J110-R	J102-E
81	-2999	P132-J	J110-K
82	-2999	J110-K	J102-L
83	-2999	J110-K	J183-S
84	-2999	J102-L	J102-E
85	-2999	P132-M	J184-E
86	-2999	J184-E	J102-E
87	-2999	P132-N	J110-X
88	-2999	J110-X	J101-E
89	-2999	P132-O	J110-F
90	-2999	J110-F	J183-E
91	-2999	J103-T	J182-T
92	1220006-1999	D131-F	J182-R

HARNES A

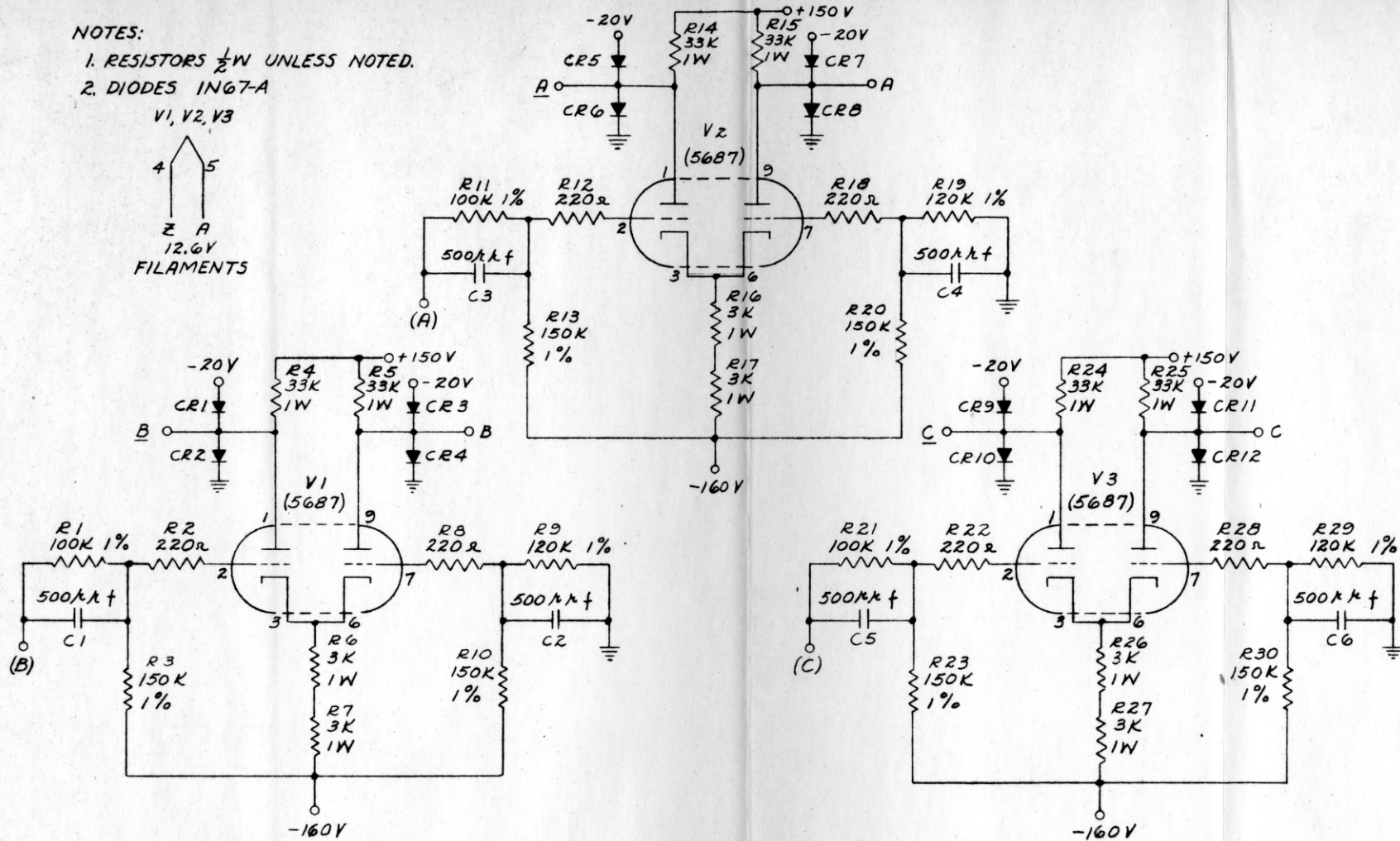
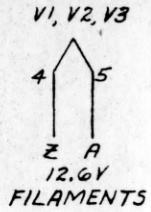
WIRE No.	WIRE DESCRIPTION	FROM	TO
93	1220006-1999	P132-P	J183-R
94	-2999	P132-R	J183-S
95	-2999	J183-S	J184-D
96	-2999	P182-3	J183-T
97	-2999	P132-T	J183-U
98	-2999	P132-U	J180-C
99	-2999	P132-Y	J182-D
100	-2999		
101	-2999	P182-W	J184-S
102	-2999	J184-S	J184-E
103	-2999	J184-E	J184-E
104	-2999	P132-X	J108-T
105	-2999	P132-Y	J183-E
106	-2999	P133-E	J184-L
107	-2999	P132-E	J185-M
108	-2999	J185-M	J185-C
109	-2999	P132-A	J180-L
110	-2999	P132-B	J183-N
111	-2999	P132-C	J183-P
112	-2999	P132-V	J183-D
113	-2999	P132-Q	J186-R
114	-2999	P132-J	J184-E
115	-2999	P132-A	J185-S
116	-2999	P132-J	J185-A
117	-2999	P132-L	J183-P
118	-2999	J183-P	J185-G
119	-2999	P132-M	J184-B
120	-2999	P132-N	J181-F
121	-2999	P132-B	J181-B
122	-2999	P132-F	J110-M
123	-2999	J110-M	J183-M
124	-2999	J183-M	J107-M
125	-2999	J107-M	J183-M
126	-2999	J108-M	J105-M
127	-2999	J108-M	J184-A
128	-2999	J184-A	J181-R
129	-2999	J181-R	J182-V
130	-2999	J184-W	J111-K
131	-2999	J181-K	J181-L
132	-2999	P131-A	J181-N
133	-2999	P131-B	J181-S
134	-2999	P131-C	J181-Z
135	-2999	P131-D	J181-T
136	-2999	P131-M	CHASSIS
137	-2999	P131-U	J185-U
138	-2999	P131-N	J185-M
139	-2999	P131-J	J183-L
140	-2999	P131-K	J181-V
141	-2999	P131-L	J181-W
142	-2999	P131-N	J181-R
143	-2999	P131-N	J181-U
144	-2999	P131-P	J181-P
145	-2999	P131-R	J181-R
146	-2999	P131-S	J181-A
147	-2999	P131-T	J181-B
148	-2999	P131-U	J181-S
149	-2999	P131-V	J181-T
150	-2999	P131-X	J185-K
151	-2999	P131-Y	J185-N
152	-2999	P131-Z	J185-P
153	-2999	P131-E	J185-E
154	-2999	P131-A	J185-B
155	1220006-1999	P131-A	J185-T
156	1220006-1999	P131-B	J107-L
157	-2999	P131-U	J107-J
158	-2999	P131-V	J183-J
159	-2999	P131-W	J102-J
160	-2999	P131-X	J183-A
161	-2999	P131-Y	J183-L
162	-2999	P131-Z	J183-L
163	-2999	P131-AA	J102-F
164	-2999	P131-AB	J101-F
165	1220006-1999	P131-CC	J102-L
166	1220006-1999	P131-BB	J102-K
167	1220006-1999	P131-BA	J101-K
168	-2999	WELDED	CHASSIS
169	-2999	J101-N	J102-B
170	-2999	J102-N	J183-W
171	-2999	J103-N	J180-K
172	-2999	J182-N	J183-E
173	-2999	J104-N	J181-E
174	-2999	J104-F	J183-E
175	-2999	J104-R	J183-J
176	-2999	J104-E	J183-E
177	-2999	J104-E	J183-E
178	-2999	J104-E	J183-E
179	-2999	J104-T	J184-D
180	-2999	J104-W	J181-T
181	-2999	J104-K	J181-C
182	-2999	J105-B	J184-E
183	-2999	J105-C	J184-F
184	1220006-1999	J105-E	J184-J

HARNES A

WIRE No.	WIRE DESCRIPTION	FROM	TO
185	1220006-1999	J105-F	J184-G
186	-2999	J105-K	J184-S
187	-2999	J105-L	J184-J
188	-2999	J105-P	J184-E
189	-2999	J105-R	J184-J
190	-2999	J105-T	J184-C
191	-2999	J105-U	J184-L
192	-2999	J105-W	J184-U
193	-2999	J105-X	J184-B
194	-2999	J105-Y	J184-S
195	-2999	J105-Z	J184-D
196	-2999	J106-E	J184-I
197	-2999	J106-F	J184-G
198	-2999	J106-K	J184-E
199	-2999	J106-L	J184-V
200	-2999	J106-P	J184-C
201	-2999	J106-R	J184-Y
202	-2999	J106-T	J184-I
203	-2999	J106-U	J184-P
204	-2999	J106-W	J184-E
205	-2999	J106-X	J184-B
206	-2999	J106-Y	J184-C
207	-2999	J107-C	J184-X
208	-2999	J107-E	J184-K
209	-2999	J107-F	J184-P
210	-2999	J107-K	J184-X
211	-2999	J107-L	J184-N
212	-2999	J107-S	J184-W
213	-2999	J107-R	J184-B
214	-2999	J107-T	J184-L
215	-2999	J107-W	J184-E
216	-2999	J107-X	J184-F
217	-2999	J107-K	J184-B
218	-2999	J108-B	J183-F
219	-2999	J108-D	J183-F
220	-2999	J108-E	J183-W
221	-2999	J108-K	J183-T
222	-2999	J108-T	J183-E
223	-2999	J108-U	J183-K
224	-2999	J108-W	J183-F
225	-2999	J108-X	J183-N
226	-2999	J108-E	J182-U
227	-2999	J108-F	J182-K
228	-2999	J108-P	J182-T
229	-2999	J108-U	J182-M
230	-2999	J108-W	J182-A
231	-2999	J108-X	J182-W
232	-2999	J108-E	J182-E
233	-2999	J108-L	J182-S
234	-2999	J108-P	J182-S
235	-2999	J108-U	J182-E
236	-2999	J108-W	J182-E
237	-2999	J108-X	J182-S
238	-2999	J108-Y	J182-E
239	-2999	J108-Z	J182-E
240	-2999	J108-Z	J182-E
241	-2999	J108-Z	J182-E
242	-2999	J108-Z	J182-E
243	1999	D131-H	J181-K
244	-2999	P132-W	P132-B
245	-2999	P133-C	J185-U
246	1220006-1999	P133-B	J185-V
247	-2999	J185-E	J185-V
248	-2999	J185-J	J185-E
249	-2999	D131-A	J185-W
250	1220006-1999	WELDED	J183-L
251	-2999	WELDED	J183-E
252	-2999	WELDED	D131-A
253	-2999	WELDED	J183-E
254	1220006-1999	P133-D	T101-S
255	1220006-1999	WELDED	T101-E
256	1220006-1999	WELDED	T101-E
257	1220006-1999	WELDED	T101-E
258	1220006-1999	WELDED	T101-E
259	1220006-1999	WELDED	T101-E
260	-2999	J101-C	J101-E
261	-2999	J102-B	J102-H
262	-2999	J102-B	J102-C
263	-2999	J102-K	J102-B
264	-2999	J102-E	J102-E
265	-2999	J102-B	J102-H
266	-2999	J102-U	J102-E
267	-2999	J102-W	J102-D
268	-2999	J102-L	J102-L
269	1220006-1999	J102-B	J102-B
270	1220006-1999	T810-A	T810-B
271	1220006-1999	T810-A	T810-B
272	1220006-1999	T810-A	T810-B
273	1220006-1999	T810-A	T810-B
274	1220006-1999	T810-A	T810-B
275	1220006-1999	T810-A	T810-B
276	1220006-1999	T810-A	T810-B
277	1220006-1999	T810-A	T810-B
278	1220006-1999	T810-A	T810-B
279	1220006-1999	T810-A	T810-B
280	1220006-1999	T810-A	T810-B
281	1220006-1999	T810-A	T810-B
282	1220006-1999	T810-A	T810-B
283			

NOTES:

1. RESISTORS $\frac{1}{2}$ W UNLESS NOTED.
2. DIODES 1N67-A



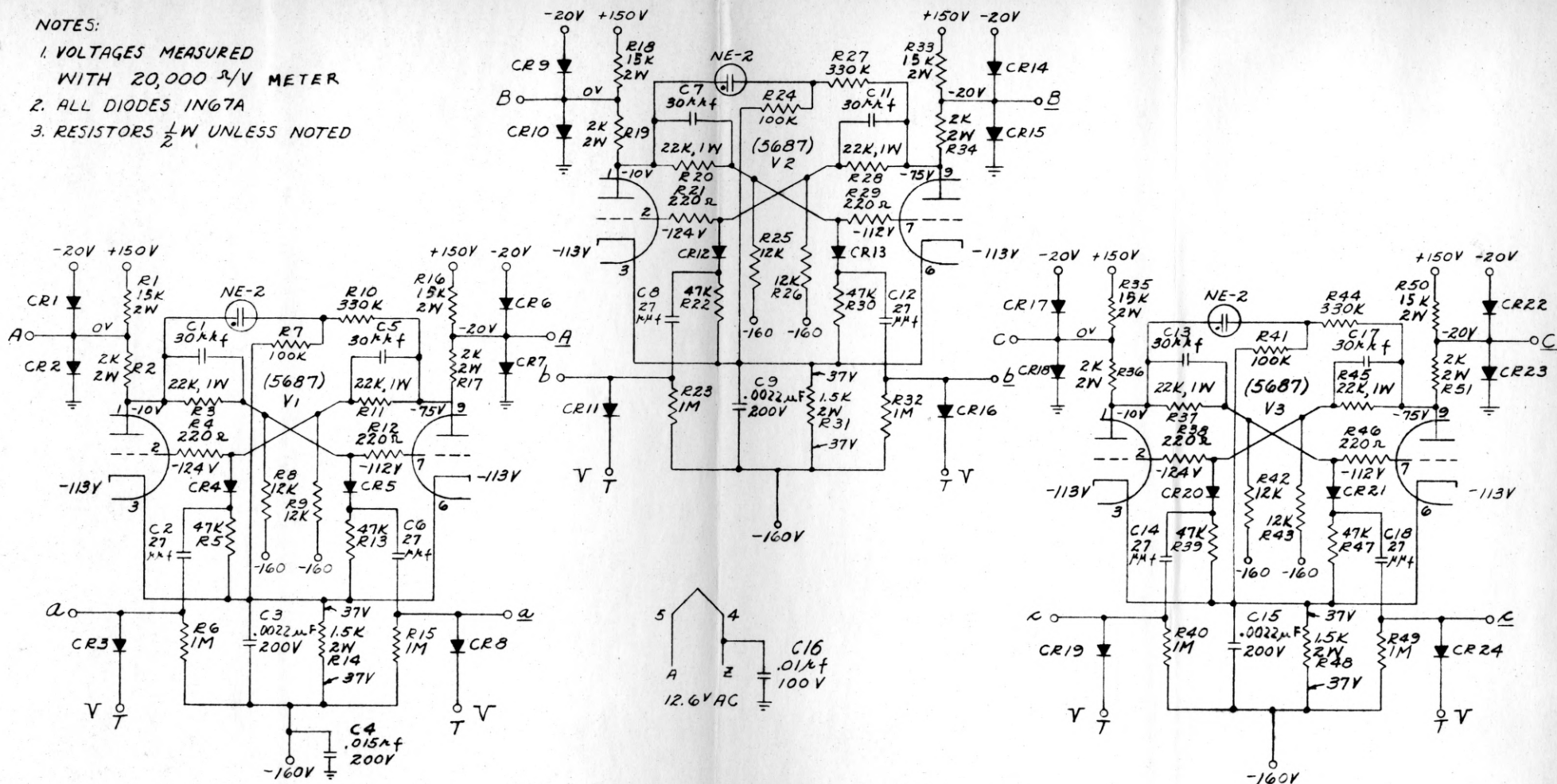
FIL G	A	(A)	-160V	A	B	(B)	-20V	B	C	(C)	+150V	C	GND	FIL B							
A	B	C	D	E	F	H	J	K	L	M	N	P	R	S	T	U	V	W	X	Y	Z

MATERIAL	TOLERANCES	TITLE	LIBRASCOPE INCORPORATED GLENDALE, CALIFORNIA		
APPLIED FINISH	FRACTIONAL $\pm 1/64"$ 3 PLACE DEC. $\pm .008"$ 4 PLACE DEC. $\pm .0008"$ ANGULAR $\pm 1^\circ$ BREAK EDGES .005 MAX.	LG-30 INVERTER	LIBRASCOPE DRAWING NUMBER	312150	
		DRAWN DATE	CHECKED DATE	APP'D DATE	
		4/11/56	4/11/56	4/11/56	

REVISIONS

NOTES:

1. VOLTAGES MEASURED WITH 20,000 Ω/V METER
2. ALL DIODES 1N67A
3. RESISTORS 1/2 W UNLESS NOTED



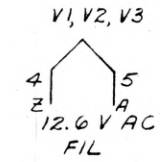
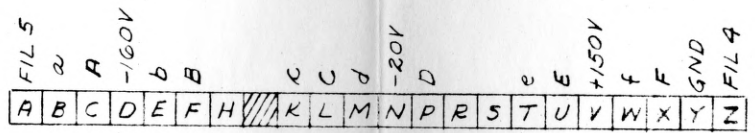
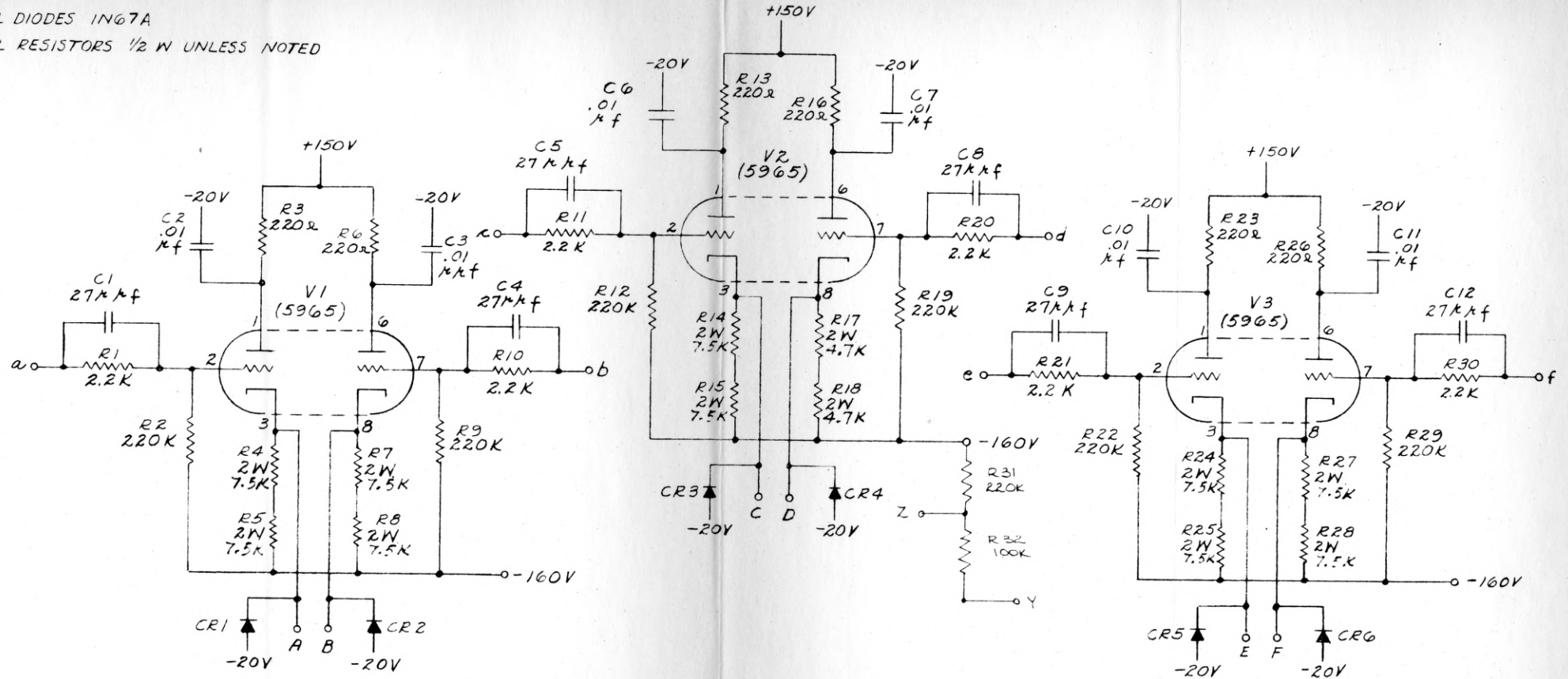
FILE	A	B	C	D	E	F	G	H	I	J	K	L	M	N	P	R	S	T	U	V	W	X	Y	Z

MATERIAL	TOLERANCES	TITLE	LIBRASCOPY
APPLIED FINISH	FRACTIONAL ± 1/64" 3 PLACE DEC. ± .008" 4 PLACE DEC. ± .0008" ANGULAR ± 1° BREAK EDGES .005 MAX.	LGP-30 FLIP FLOP	LIBRASCOPY INCORPORATED GLENDALE, CALIFORNIA
		DRAWN DATE 12-19-55	LIBRASCOPY DRAWING NUMBER 312151
		CHECKED DATE 4-4-56	
		APP'VD DATE J. Egan 4/11/56	

REVISIONS

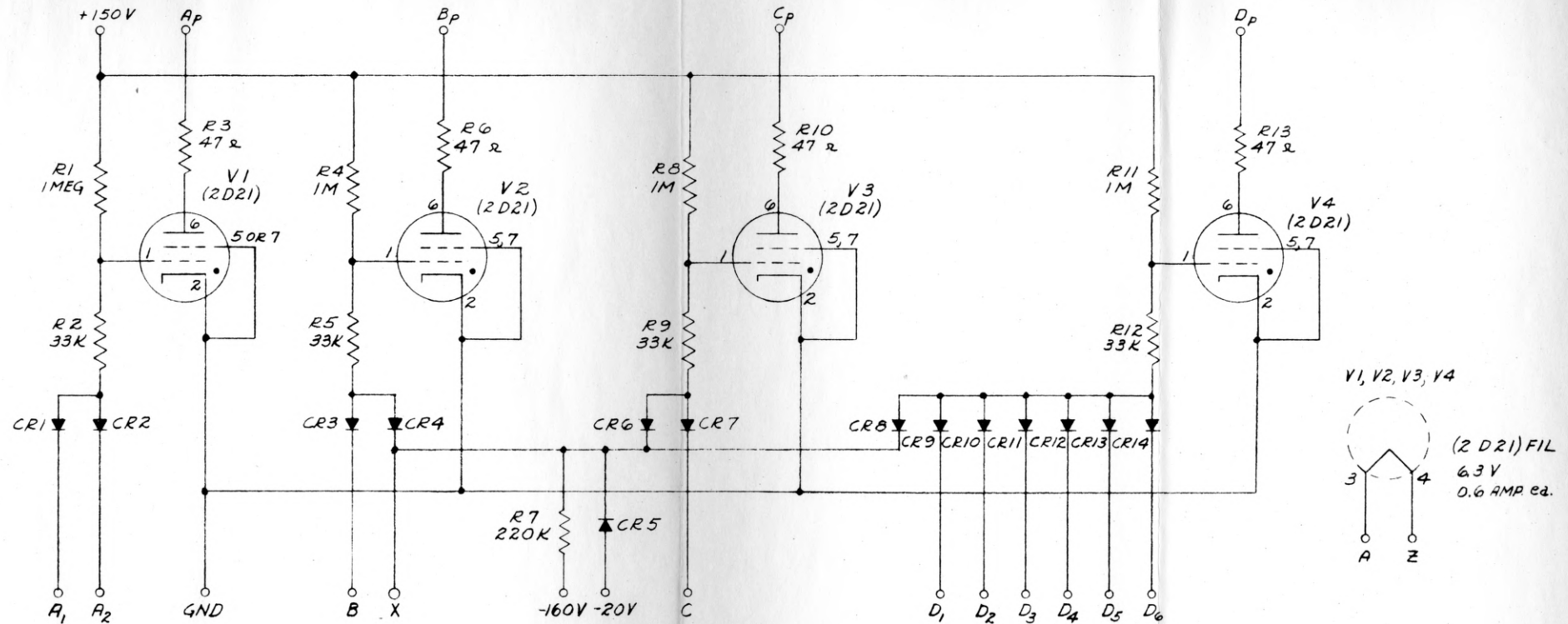
NOTES:

1. ALL DIODES 1N67A
2. ALL RESISTORS 1/2 W UNLESS NOTED



8/17/56
ADDED R2 AND R32
REVISIONS

MATERIAL	TOLERANCES FRACTIONAL ± 1/64" 3 PLACE DEC. ± .008" 4 PLACE DEC. ± .0005" ANGULAR ± 1° BREAK EDGES .005 MAX.	TITLE LGP-30 CATHODE FOLLOWER	LIBRASCOPE INCORPORATED GLENDALE, CALIFORNIA
APPLIED FINISH	DRAWN DATE 12-13-55	CHECKED DATE 4-11-56	APP'VD DATE 9/11/56
			LIBRASCOPE DRAWING NUMBER 312152



NOTES:
 1. ALL RESISTORS 1/2 WATT.
 2. ALL DIODES 1N67A

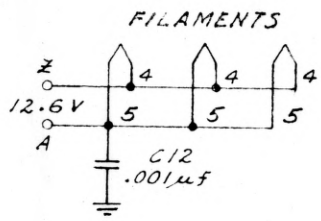
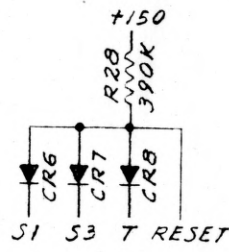
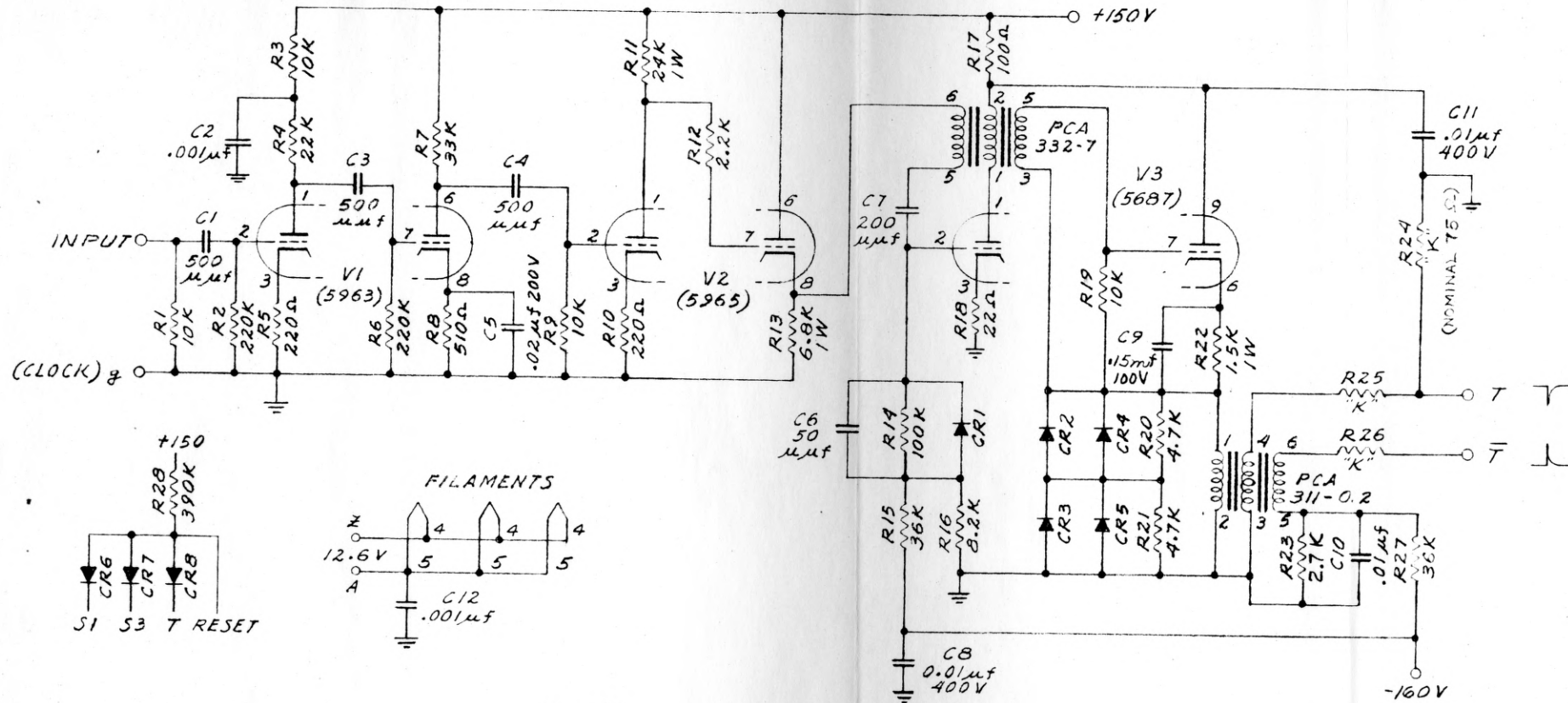
FIL A	A1	A2	-160V	B	Ap	X	Bp	C	Cp	-20V	D1	D2	D3	D4	D5	+150	D6	Dp	GND	FIL 5
A	B	C	D	E	F	H	J	K	L	N	P	R	S	T	U	V	Y	X	Y	Z

REVISIONS

MATERIAL	TOLERANCES	TITLE	LIBRASCOPE
APPLIED FINISH	FRACTIONAL ± 1/64" 3 PLACE DEC. ± .005" 4 PLACE DEC. ± .0005" ANGULAR ± 1° BREAK EDGES .005 MAX.	LGP-30 THYRATRON CARD	LIBRASCOPE INCORPORATED GLENDALE, CALIFORNIA
	DRAWN DATE 12-13-55	CHECKED DATE 1-11-56	LIBRASCOPE DRAWING NUMBER 312153
		APPLY'D DATE 1/1/56	

NOTES:

1. ALL DIODES 1N67A
2. ALL RESISTORS 1/2 W UNLESS NOTED.



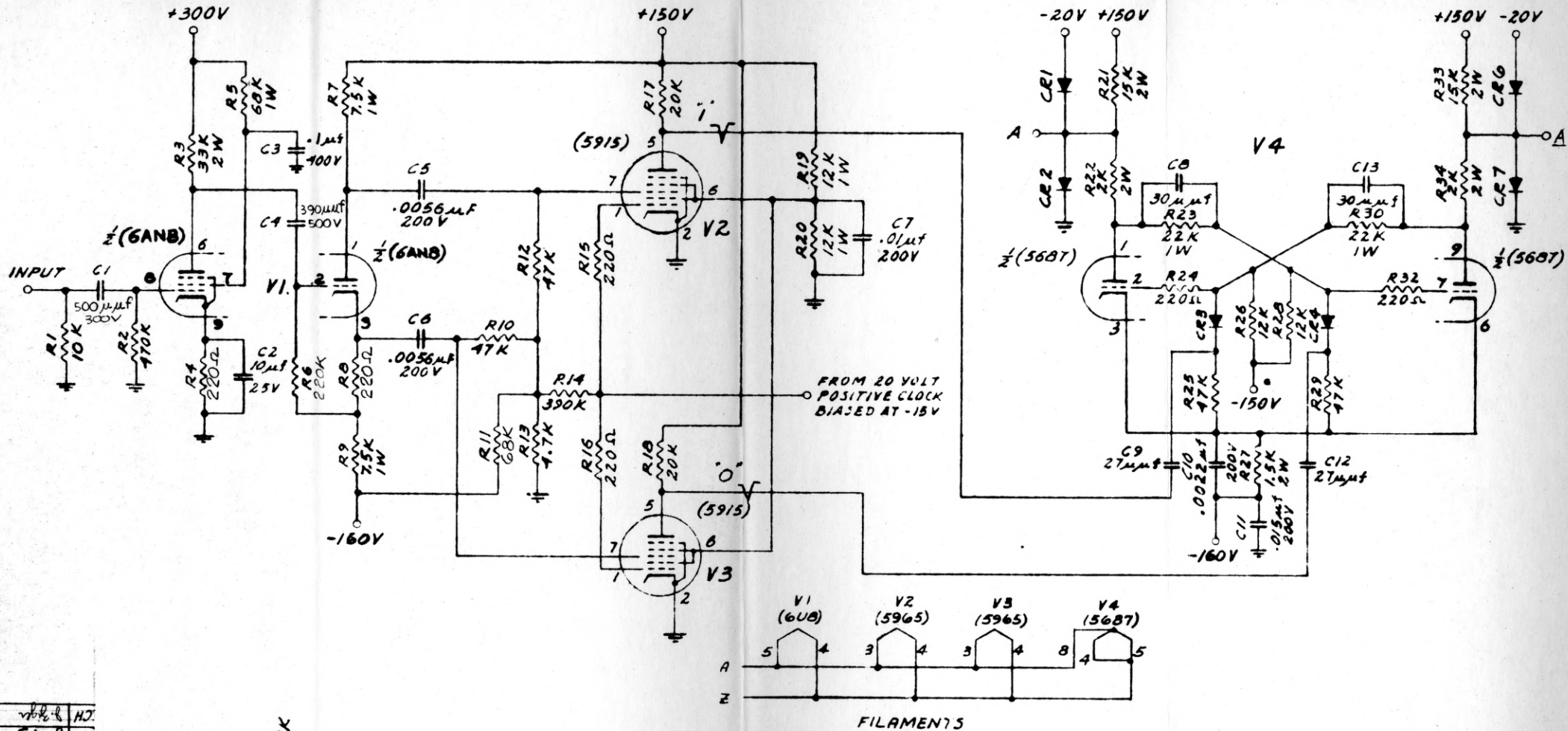
FIL 6	(CLOCK) 1	(CLOCK) 2	-160V	S1	S3	RESET	+CLOCK (T)	-CLOCK (T)	+150V	GND	FIL 8									
A	B	C	D	E	F	H	J	K	M	N	P	R	S	T	U	V	W	X	Y	Z

1-1	EO 1726A
R24 - 1K 1W CHANGED TO "NOMINAL 100K"	
DR JRA	4-23-57
CH 222	7-23-57
CH 222	11-30-57
HEWSON 11-30-56	
J.O. NO. 16056	
R23 WAS 5.1 K	
C10 WAS .001μf	
1	@ 400V
REVISIONS	

MATERIAL	TOLERANCES	TITLE	LIBRASCOPE
APPLIED FINISH	FRACTIONAL ± 1/64" 3 PLACE DEC. ± .005" 4 PLACE DEC. ± .0005" ANGULAR ± 1° BREAK EDGES .005 MAX.	LGP-30 CLOCK GEN SCHEMATIC	LIBRASCOPE INCORPORATED GLENDALE, CALIFORNIA
		DRAWN DATE ERHARDT 11-9-55	LIBRASCOPE DRAWING NUMBER 312154
		CHECKED DATE 4-11-56	APPR'D DATE J. Bass 4/1/56

NOTES:

1. ALL DIODES 1N617
2. RESISTORS 1/2W UNLESS NOTED.



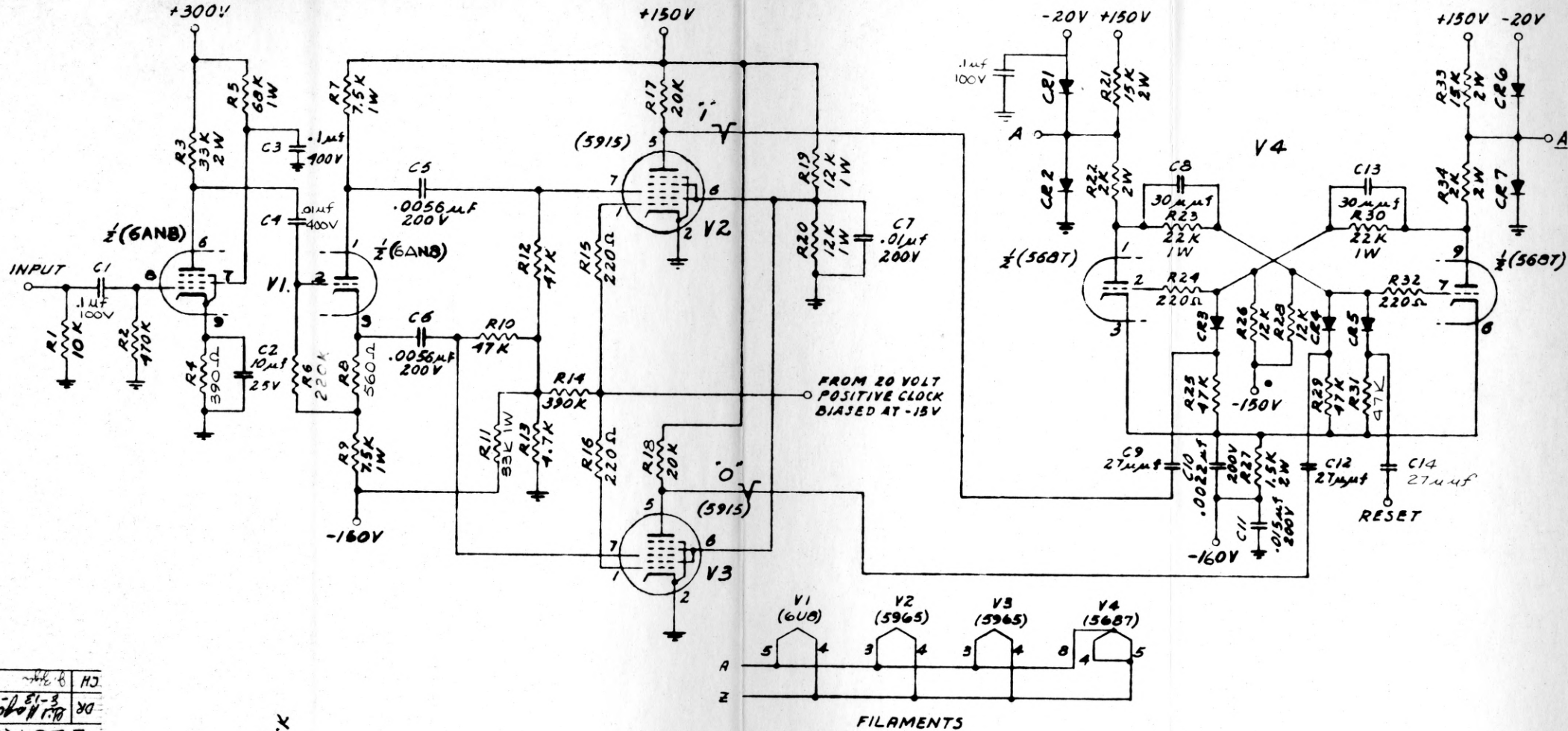
FILE	INPUT	GND	-160V	(7) + CLOCK	+300V	-20V	A	+150V	RESET	A	GND	FILE
A	B	C	D	E	F	G	H	I	J	K	L	M

MATERIAL	TOLERANCES	TITLE	LIBRASCOP
APPLIED FINISH	FRACTIONAL ± 1/16" 3 PLACE DEC. ± .008" 4 PLACE DEC. ± .0008" ANGULAR ± 1° BREAK EDGES .008" MAX.	READ FLIP-FLOP SCHEMATIC	LIBRASCOP INCORPORATED GLENNDALE, CALIFORNIA
	DRAWN DATE E. R. A. D. T. 11-7-58	CHECKED DATE 11-11-58	LIBRASCOP DRAWING NUMBER 312156-1

REVISIONS	1-1	EQ 2303S	REVISED BY	REDDAWN	7-12-58	DR. TRA	8-13-58
	2-1	EQ 23058	REVISED BY	DR. TRA	7-12-58	DR. TRA	8-13-58
			REVISIONS				

NOTES:-

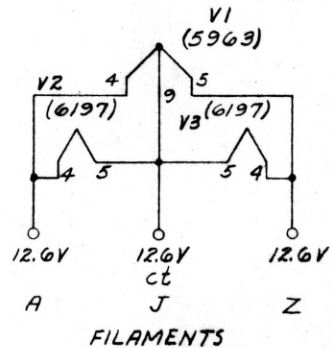
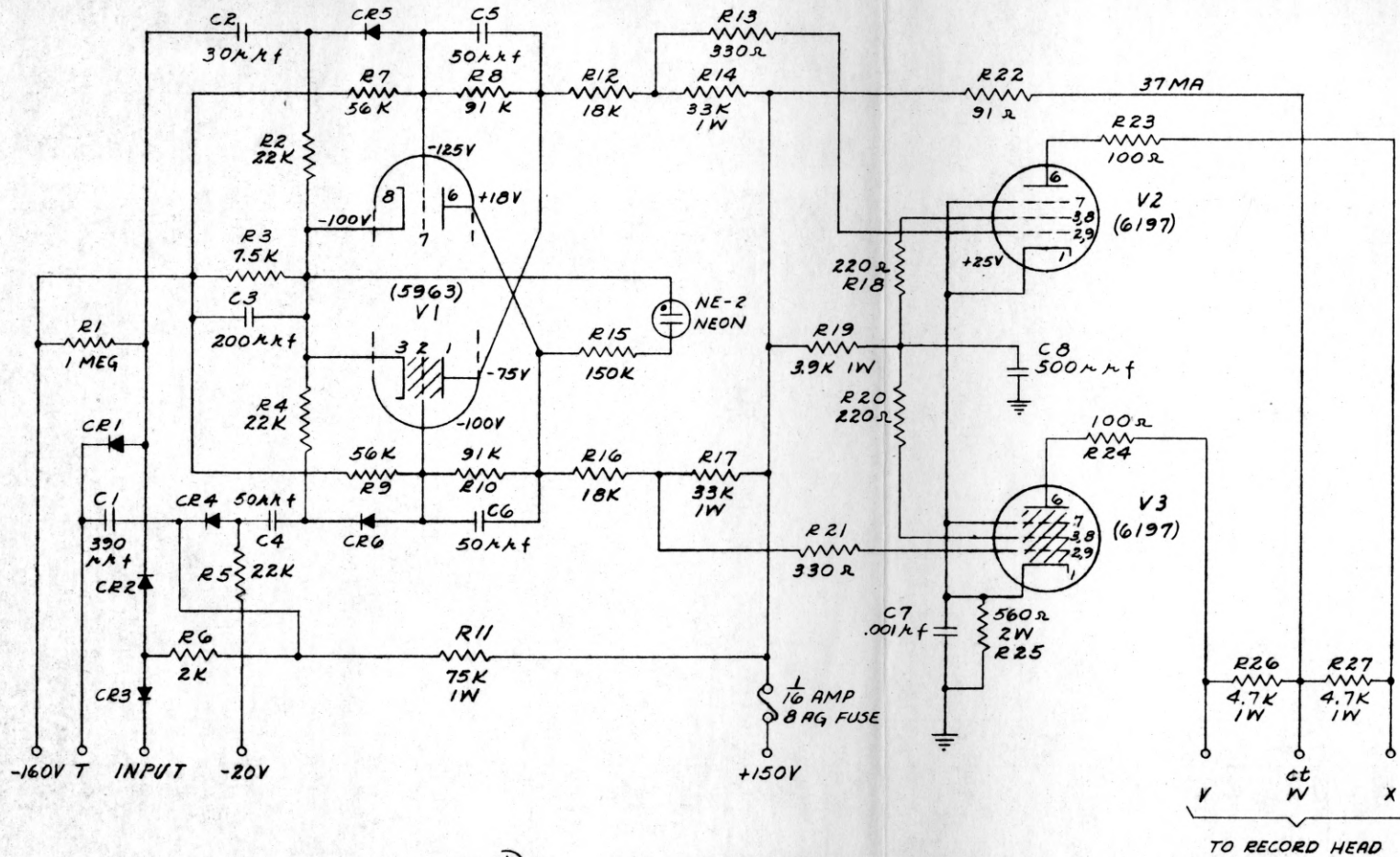
1. ALL DIODES IN G17
2. RESISTORS 1/2W UNLESS NOTED.



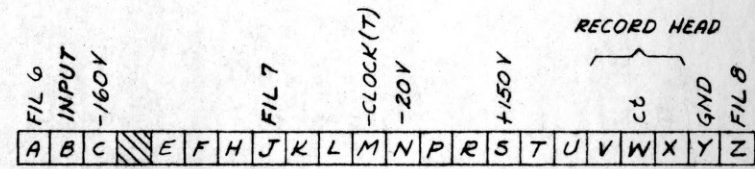
FILE	INPUT	GND	-160V	(7) + CLOCK	+300V	-20V	A	+150V	RESET	A	GND	FILE													
A	B	C	D	E	F	G	H	I	J	K	L	M	N	O	P	Q	R	S	T	U	V	W	X	Y	Z

MATERIAL	TOLERANCES	TITLE MAIN MEMORY BUFF ASSY. SCHEMATIC	LIBRASCOPE INCORPORATED GLYNNDALE, CALIFORNIA
APPLIED FINISH	FRACTIONAL ± 1/64" 3 PLACE DEC. ± .008" 4 PLACE DEC. ± .0008" ANGULAR ± 1° BREAK EDGES .008 MAX.	DRAWN DATE ERHARDT 11-7-55	CHECKED DATE W.H.K.
REVISIONS		PROV'D DATE 11/15/56	LIBRASCOPE DRAWING NUMBER 312156-2

11	EO 23034	REVISED & RE-DRAWN
DR	DR JRA	7-12-58
CH	7-19-58	7-19-58
DR	8-13-58	8-13-58
CH	8-13-58	8-13-58
DR	8-13-58	8-13-58
CH	8-13-58	8-13-58



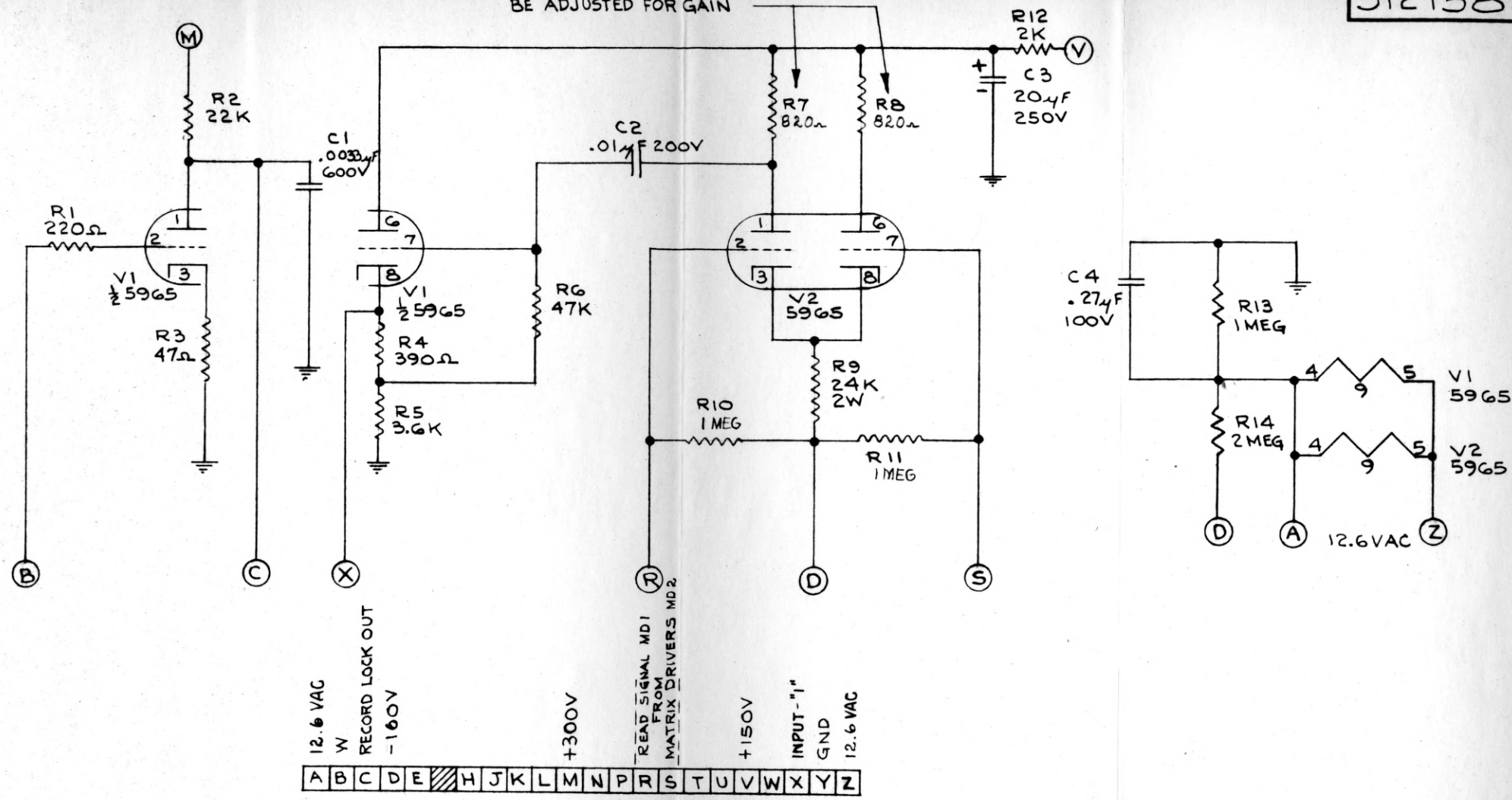
- NOTES:
1. ALL DIODES 1N67A
 2. RESISTORS 1/2W UNLESS NOTED



MATERIAL	TOLERANCES	TITLE DOUBLE ENDED RECORD AMP			LIBRASCOPE INCORPORATED GLENDALE, CALIFORNIA
APPLIED FINISH	FRACTIONAL ± 1/64" 3 PLACE DEC. ± .005" 4 PLACE DEC. ± .0005" ANGULAR ± 1° BREAK EDGES .005 MAX.	DRAWN DATE 12-9-55	CHECKED DATE 1/1/56	APP'VD DATE 1/1/56	
LIBRASCOPE DRAWING NUMBER 312157					

REVISIONS

KEEP EQUAL BUT MAY BE ADJUSTED FOR GAIN

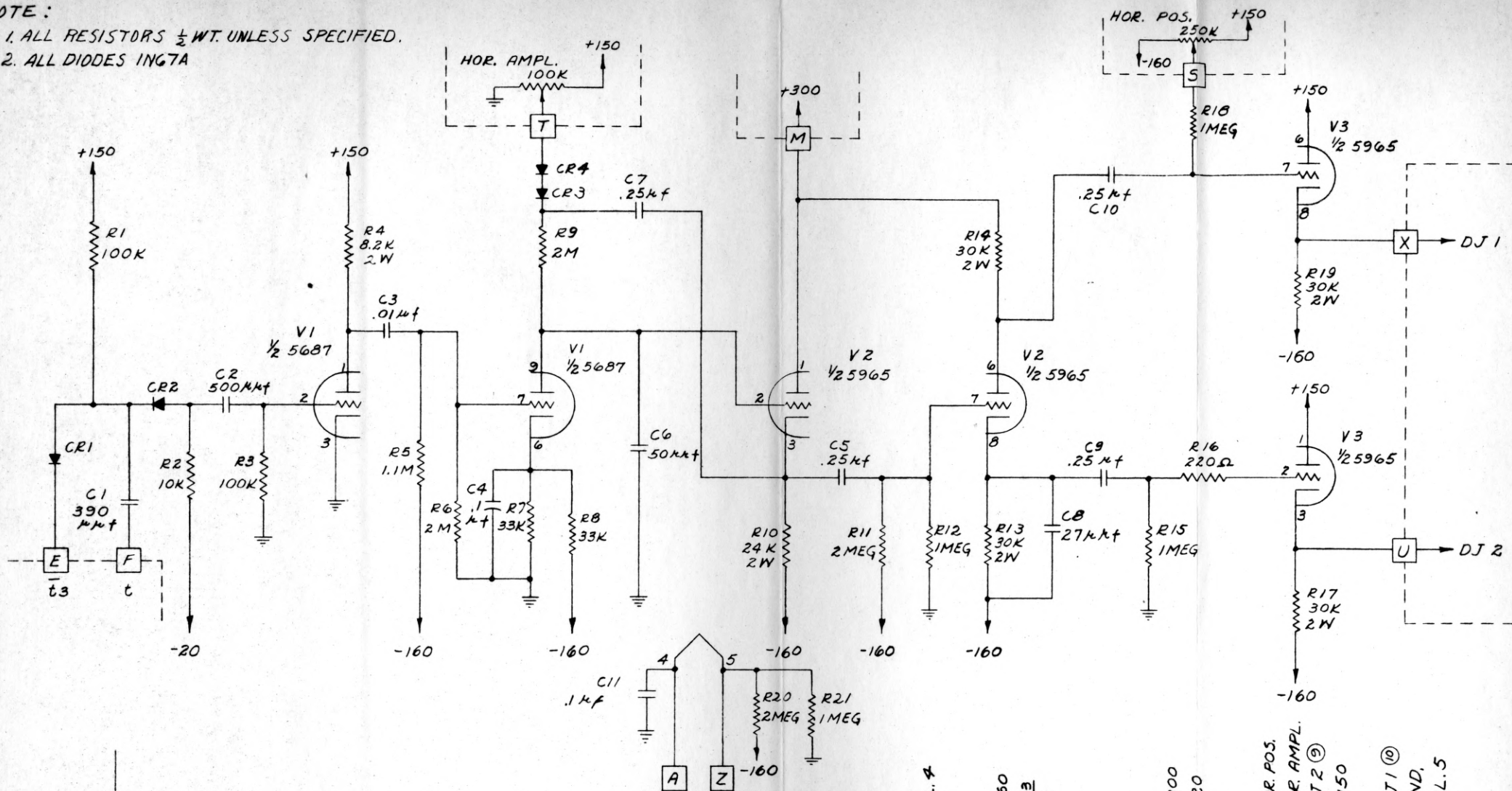


REVISIONS

UNLESS OTHERWISE SPECIFIED	LGP 30 READ RECORD GATE SCHEMATIC			LIBRASCOPE T.M. REG. LIBRASCOPE INCORPORATED GLENDALE, CALIFORNIA, U.S.A.
	DIMENSIONS ARE IN INCHES	TOLERANCES ON DIMENSIONS	MATERIAL	
FRACTIONAL ± 1/64	3 PLACES ± .008	4 PLACES ± .0008	APPLIED FINISH	SCALE
ANGULAR ± 1°	BREAK EDGES .008 MAX.	DRAWN DATE 2/22/51	CHECKED DATE U.P.P. 5-2-56	APPR'D DATE J. Ban 4/25/51
				DRAWING NO. 1 312158

NOTE :

1. ALL RESISTORS $\frac{1}{2}$ WT. UNLESS SPECIFIED.
2. ALL DIODES 1N7A

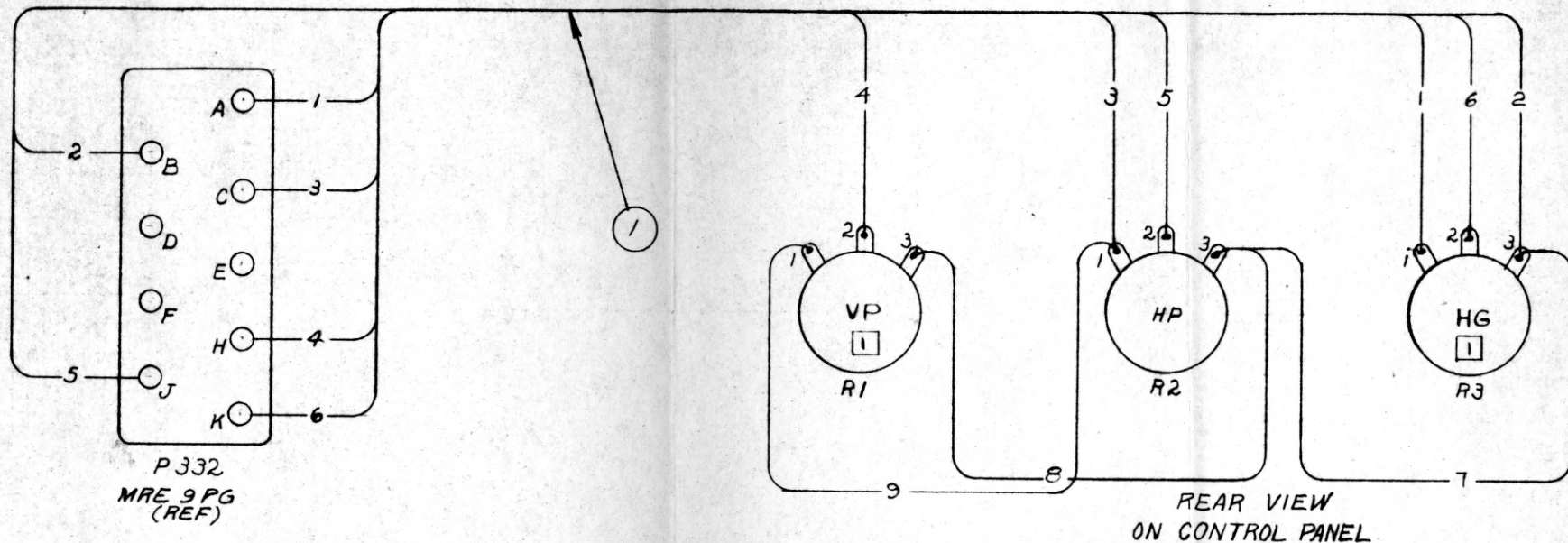


FIL. 4	-160	t3	T	+300	-20	HOR. POS.	HOR. AMPL.	DJ 2	+150	DJ 1	GND.	FIL. 5										
A	B	C	D	E	F	G	H	J	K	L	M	N	P	R	S	T	U	V	W	X	Y	Z

MATERIAL	TOLERANCES	TITLE	LIBRASCOPE INCORPORATED GLENDALE, CALIFORNIA	
APPLIED FINISH	FRACTIONAL $\pm 1/64"$ 3 PLACE DEC. $\pm .008"$ 4 PLACE DEC. $\pm .0008"$ ANGULAR $\pm 1'$ BREAK EDGES .005 MAX.	DIGITAL DISPLAY HORIZONTAL SWEEP	LIBRASCOPE DRAWING NUMBER	
		DRAWN DATE 3-22-56 Kuehling	CHECKED DATE 3-22-56 BWA/2PT	APP'D DATE 4-16-56 Hans 1/5/56
			312160	

NOTE:

1. WIRE IN ACCORDANCE WITH LIBRASCOPE WIRING INSTRUCTION MANUAL.



JUMPER WIRES

WIRE NO.	WIRE DESCRIPTION	FROM	TO
7	1220006-1444	R3-3	R2-3
8	1220006-1444	R2-3	R1-3
9	1220006-1666	R2-1	R1-1

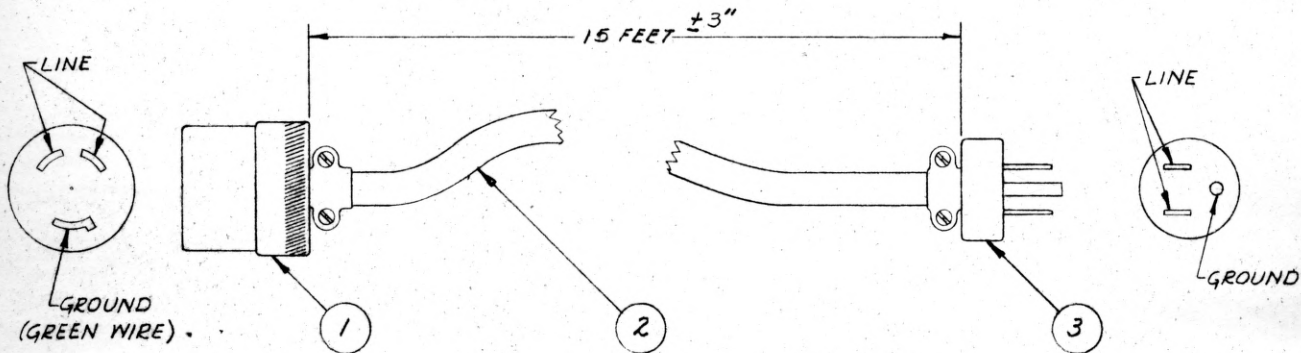
1
1
1

NEXT ASSY 311879

1	312165	1	HARNES- DISPLAY CONTROLS
ITEM NO.	DWG. NO.	NO. REQ.	DESCRIPTION

MATERIAL	TOLERANCES FRACTIONAL ± 1/64" 3 PLACE DEC. ± .008" 4 PLACE DEC. ± .0008" ANGULAR ± 1° BREAK EDGES .008 MAX.	TITLE DISPLAY CONTROLS INTERNAL WIRING	LIBRASCOPE INCORPORATED GLENDALE, CALIFORNIA
APPLIED FINISH		DRAWN DATE 4-26-58	LIBRASCOPE DRAWING NUMBER 312166
		CHECKED DATE 5-9-58	APPR'D DATE 5-27-58

DR ASHTON	7-22-57
CH AA	7-22-57
R1, VP WAS HG R3, HG WAS VP JUMPER WIRES - WIRE NO 7 FROM R3-3 TO R2-3 WAS WIRE NO 7 FROM R1-3 TO R2-3 WIRE NO 8 FROM R2-3 TO R1-3 WAS WIRE NO 8 FROM R2-3 TO R3-3 WIRE NO 9 FROM R2-1 WAS WIRE NO 9 FROM R2-1 TO R3-	
1-	EO 17687
REVISIONS	



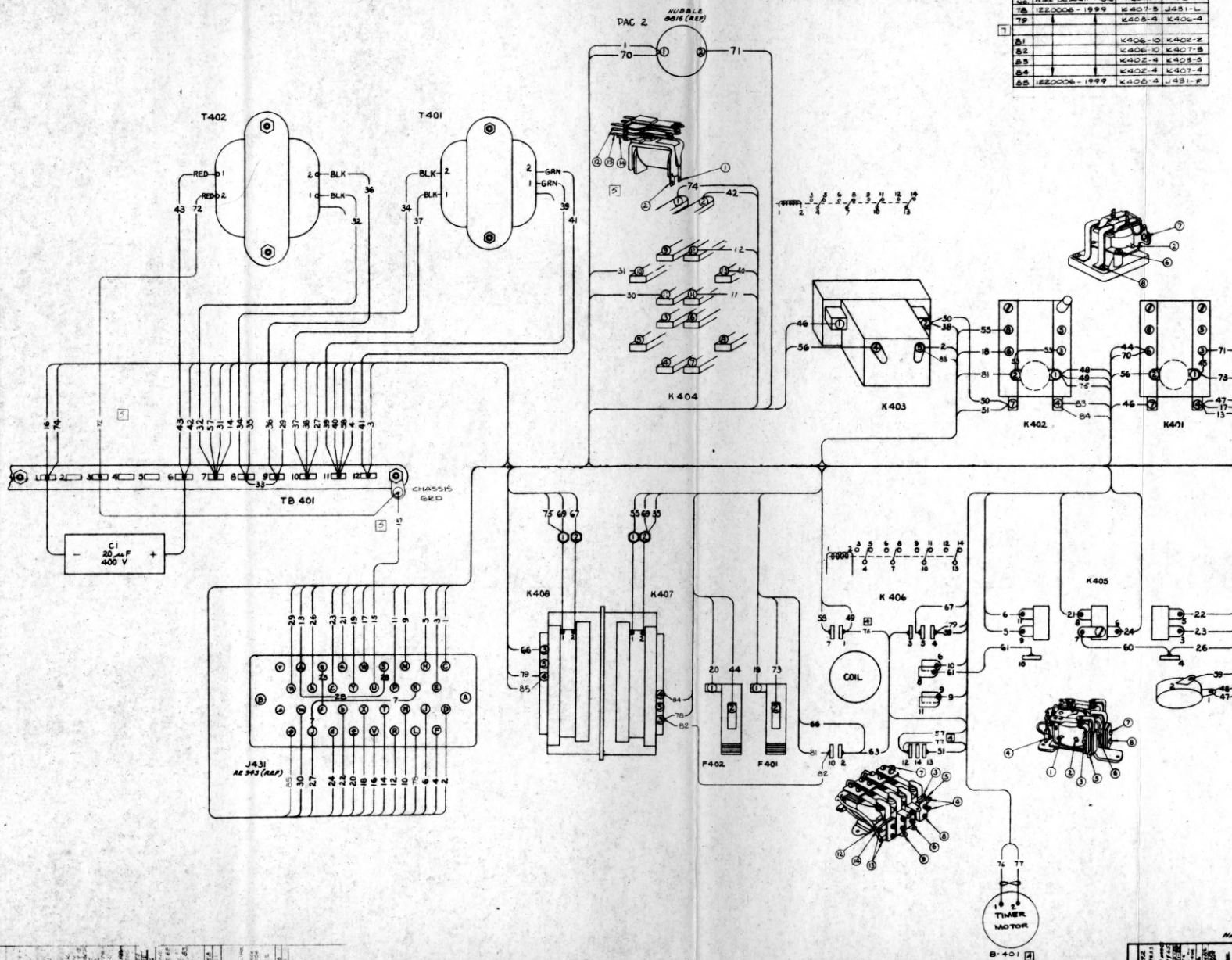
- NOTE: 1- IN PLACE OF ITEM 3, AN ELEC. CORD & SUPPLY CO.
MP-15 PLUG OR EQUAL, MAY BE MOLDED TO CORD.

3		1	HUBBELL CAP CAT.No. 5267
2		15'-3"	50 CORD No.12. NEOPRENE JACKET-3 WIRE
1		1	HUBBELL CONNECTOR CAT.No. 7313
ITEM No.	DWG No.	No. REQ	DESCRIPTION

N.A. 312605

REVISIONS 1 EO 15084 ITEM 3 WAS HUBBELL CAT. NO. 9965 DR. H. H. H. 4-11-56 CH. PHILIPS. 4-11-56 2-1 EO 18220 ADDED NOTE 1 DR. J.P.A. 8-2-57 CH. A.A. 8-5-57	UNLESS OTHERWISE SPECIFIED DIMENSIONS ARE IN INCHES TOLERANCES ON DIMENSIONS FRACTIONAL $\pm 1/64$ 3 PLACES $\pm .005$ 4 PLACES $\pm .0005$ ANGULAR $\pm 1^\circ$ BREAK EDGES .005 MAX.	LQP-30 LINE CORD MATERIAL APPLIED FINISH	LIBRASCOPE T.M. REG. LIBRASCOPE INCORPORATED GLENDALE, CALIFORNIA, U.S.A.
	DRAWN DATE 1-4-56 CHECKED DATE Phillips 3-26-56 APP'VD DATE J. Carr 3/19/56	SCALE NONE	DRAWING NO. 312613

NOTE:
 1. WIRE IN ACCORDANCE WITH LIBRASCOPE WIRING INSTRUCTION MANUAL.
 2. SEE DWG No. 312140 FOR SCHEMATIC DIAGRAM.



WIRE NO.	WIRE DESCRIPTION	FROM	TO
7A	1220006-1999	K407-B	J431-L
7P		K405-4	K406-4
81		K406-10	K402-E
82		K406-10	K407-B
83		K402-4	K402-5
84		K402-4	K407-4
85	1220006-1999	K405-4	J431-F

WIRE NO.	DESCRIPTION	FROM	TO
1	1220006-5999	J431-C	PAC-1
2	-2999	-D	K3-5
3		-B	TB1-12
4		-S	TB1-11
5		-H	K5-9
6		-J	K5-11
9		-M	K5-9
10		-N	K5-9
11		-P	K4-14
12	-2999	R	K4-1E
13	-6999	A	K1-4
14	-5999	T	TB1-7
16	-2999	V	TB401-1
17	1999	W	K1-2
18	1999	X	K2-5
19	4999	Y	F1-1
20	4999	Z	FE-1
21	-2999	a	K3-8
22	-2999	b	K5-5
23	-4999	c	K5-5
24	-4999	d	K5-8
25	-5999	e	K5-4
27	-6999	f	TB1-10
28	-2999	g	TB1-9
31	-2999	J431-M	K4-11
35	-2999	TB1-7	K4-10
38	-2999	TB1-B	K7-2
40	-6999	TB1-10	K3-E
42	-2999	TB1-11	K4-1B
43	-2999	TB1-6	K4-2
44	-4999	K1-6	FE-2
46	-7999	K1-7	K5-1
47	-2999	K1-4	K5-1
48	-2999	K2-1	K5-1
49	-2999	K2-1	K5-1
50	-7999	K2-7	K5-2
51	-5999	K2-7	K5-1B
52	-2999		
54	2999		
55	-2999	K2-8	K7-1
56	-2999	K3-4	K1-E
57	-2999	TB1-7	K5-1B
58	-2999	TB1-11	K5-7
59	-2999	K5-2	K6-4
62			
64			
66		K6-2	K6-5
67		K6-5	K6-5
68			
69	-2999	K7-2	K6-1
70	-8999	DAC2	K1-6
71	-8999	DAC2	K1-5
75	-4999	F1-2	K1-1
74	1220006-2999	TB401-1	K4-1

JUMPER WIRES			
WIRE NO.	WIRE DESCRIPTION	FROM	TO
7	1220006-5999	J431-K	J431-J
28	1220006-5999	J431-S	J431-X
32	1999	TB401-7	T402-BLK 1
33		TB401-8	B401-K 1
34		TB401-9	T402-BLK 2
36		TB401-9	T402-BLK 2
37		TB401-10	T401-BLK 1
39		TB401-11	T401-GRN 1
41		TB401-12	T401-GRN 2
43		TB401-6	T402-GRN 2
45		K401-1	K401-3
53	1999	K402-2	K402-3
60	5999	K405-4	K405-7
63	1999	K406-2	K406-3
72	1999	T402-RED	T402-GRN
103	1999	J431-U	CHASSIS GND
25	1220006-5999	J431-6	J431-7
50	1220007-7999	K402-7	K403-3
81	1220006-1999	K405-8	K406-8
65			
79	1220006-5999	K402-1	K405-1
78	1220006-1999	B401-1	K406-1
77	1220006-1999	B401-8	K406-1E

GP-30 POWER SOURCE CONTROL INTERNAL WIRING

LIBRASCOPE LIBRASCOPE CORPORATION GLENDALE, CALIFORNIA, U.S.A.

312618

312617 HARNESS DESCRIPTION

44-31/238

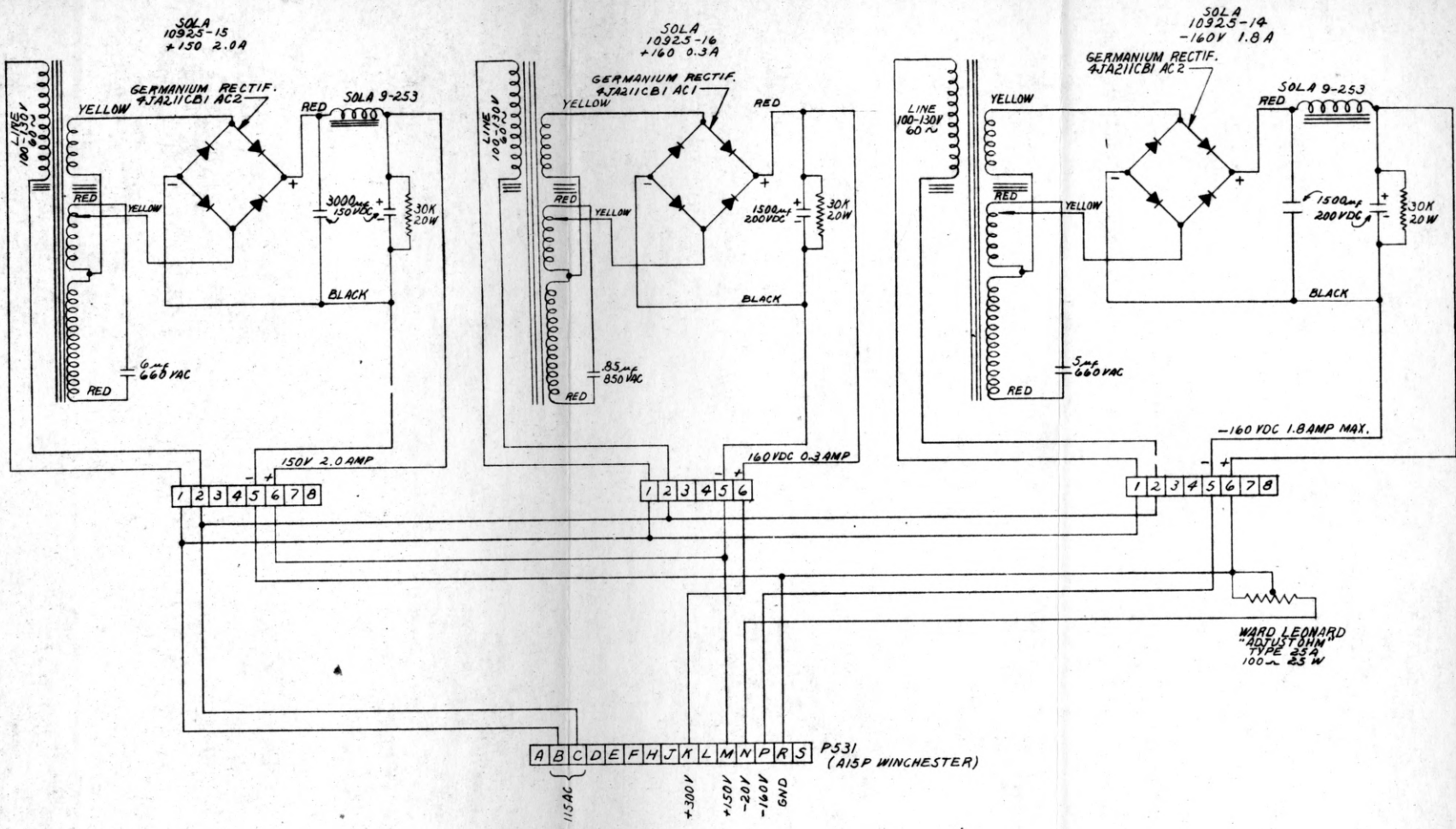
DATE: 12/22/52

BY: [Signature]

APPROVED: [Signature]

REVISIONS:

NO.	DESCRIPTION
1	AS SHOWN



21.0.15315
REVISED & REDRAWN
5/2/56

NA-314009

UNLESS OTHERWISE SPECIFIED		LGP-30 POWER SUPPLY SCHEMATIC		LIBRASCOPE, INC. INCORPORATED GLENDALE, CALIFORNIA, U.S.A.	
DESIGNER USE IN BUSHES	FRAC TIONAL ± 1/64	MATERIAL		SCALE	
MEASUREMENTS ON DIMENSIONS	3 PLACES ± .005	APPLIED FINISH		DRAWING NO. 312619	
4 PLACES ± .0005	ANGULAR ± 1°	DRAWN DATE 5-2-56		CHECKED DATE 5-23-56	
BREAK EDGES SHOWN		DATE 5-2-56		DATE 5-23-56	

PIN	TRIPLE FLIP FLOP	TRIPLE INVERTER	MATRIX DRIVER	READ FLIP FLOP	CLOCK SIN. GEN.	TRIPLE CAT. FOL.	THYRATRON	READ RECORD GATE	RECORD AMP	VERT. DEFL. AMP.	HORIZ. SWEEP
A	12.6 VAC	12.6 VAC	12.6 VAC	6.3 VAC	12.6 VAC	12.6 VAC	6.3 VAC	12.6 VAC	12.6 VAC	12.6 VAC	12.6 VAC
B	\bar{A}	\bar{A}	6.3 VAC	INPUT	INPUT	a	A ₁	W	INPUT		
C	a	a	KEY	GND *	GND	A	A ₂	RECORD LOCKOUT	-160V		
D	-160V	-160V	-160V	-160V	-160V	-160V	-160V	-160V	KEY	-160V	-160V
E	\bar{a}	KEY	6.3 VAC			b	B			SIG. AMRPOT	t_3
F	A	A	P _A			B	A _P	KEY			T
H	KEY		P _B	T			X			t_3	
J			P _C			KEY	B _P		12.6 Vct		
K	\bar{B}	\bar{B}	W	KEY		c	C			DJ4 (7)	
L	b	b	V'		KEY	C	C _P				
M	T		V'	+300V		d	KEY	+300V	T	t	+300V
N	-20V	-20V	+300V	-20V		-20V	-20V		-20V	-20V	-20V
P	\bar{f}		P \bar{f}			D	D ₁			SIG. AMP. POT.	
R	B	B	B		T \bar{L}		D ₂	MD1		\bar{R}	KEY
S			B'				D ₃	MDR	+150	\bar{A}	HOR. POS.
T	\bar{C}	\bar{C}	P _C	A	IV	e	D ₄			KEY	HOR. AMPL.
U	c	c	CATH			E	D ₅			\bar{C}	DJ2 (8)
V	+150V	+150V	+150V	+150V	+150V	+150V	+150V	+150V	TO RECORD HEAD	+150V	+150V
W	\bar{Z}		RECORD LOCKOUT	RESET *		b	D ₆		CT HEAD	VERT. POS. POT	
X	C	C		\bar{A}		F	D _P	BUFFER OUTPUT "1"	TO RECORD HEAD	DJ3 (6)	DJ1 (10)
Y	GND	GND	GND	GND	GND	GND	GND	GND	GND	GND	GND
Z	12.6 VAC	12.6 VAC	12.6 VAC	6.3 VAC	12.6 VAC	12.6 VAC	6.3 VAC	12.6 VAC	12.6 VAC	12.6 VAC	12.6 VAC
1			MD1								
2			MD2								
3											
4			P _D								
5			P _E								
6			P _F								

REVISIONS

MATERIAL	TOLERANCES	TITLE	LIBRASCOPE LIBRASCOPE INCORPORATED INCORPORATED GLENDALE, CALIFORNIA GLENDALE, CALIFORNIA		
APPLIED FINISH	FRACTIONAL ± 1/64" 3 PLACE DEC. ± .005" 4 PLACE DEC. ± .0005" ANGULAR ± 1° BREAK EDGES .005 MAX.	LGP-30 CARDS TERMINAL CONNECTIONS	DRAWN DATE	CHECKED DATE	APPY'D DATE
			4-11-56 Thompson	7-12-56	J. Gans 7/11/56
			LIBRASCOPE DRAWING NUMBER 313691		

J151

A	D17
B	D3
C	D5
D	D7
E	D9
F	D11
G	D13
H	D15
I	D17
J	D19
K	D21
L	D23
M	D25
N	D27
O	D29
P	D31
Q	D33
R	D35
S	D37
T	D39
U	D41
V	D43
W	D45
X	D47
Y	D49
Z	D51

J152

A	F3
B	F5
C	F7
D	F9
E	F11
F	F13
G	F15
H	F17
I	F19
J	F21
K	F23
L	F25
M	F27
N	F29
O	F31
P	F33
Q	F35
R	F37
S	F39
T	F41
U	F43
V	F45
W	F47
X	F49
Y	F51
Z	F53

J153

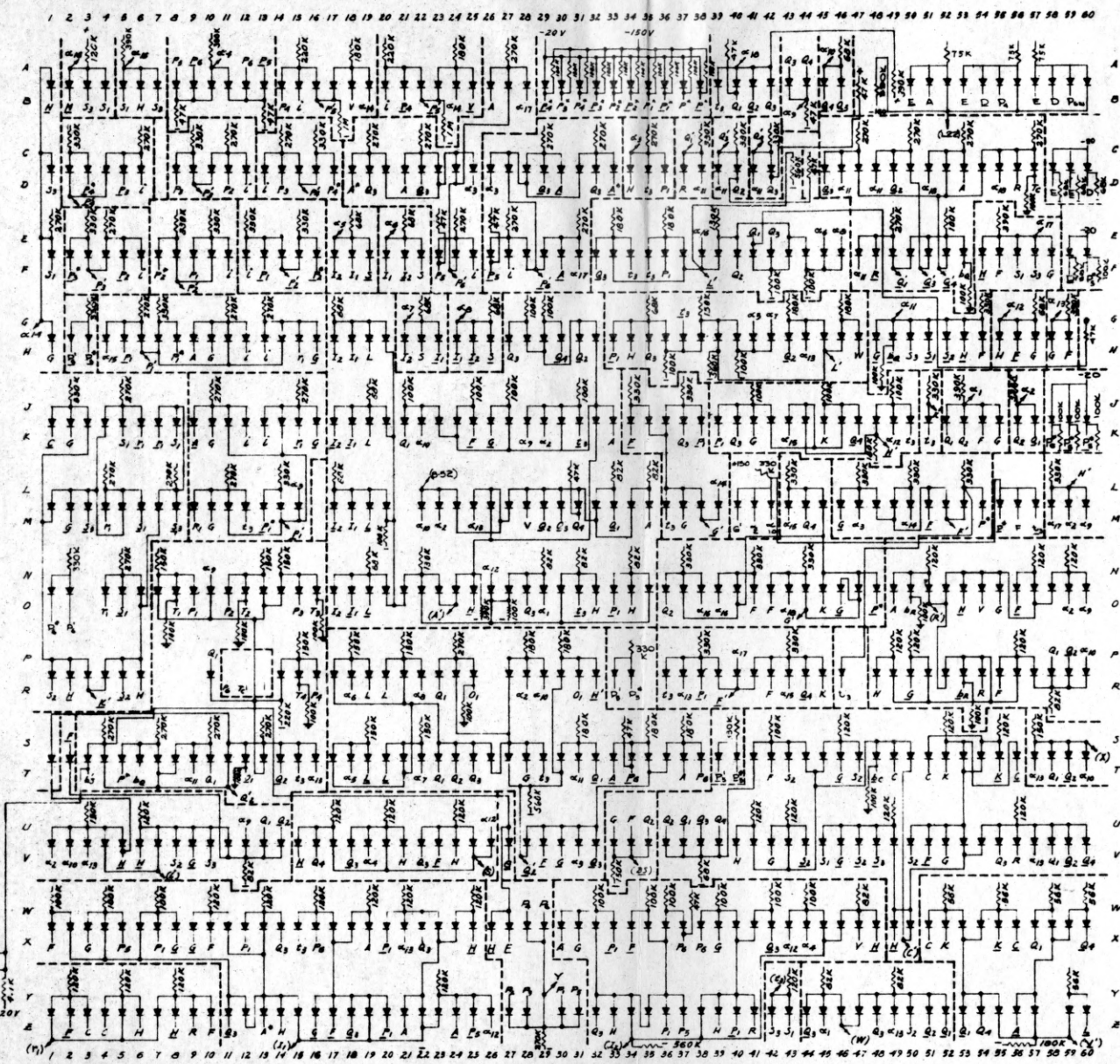
A	F22
B	F24
C	F26
D	F28
E	F30
F	F32
G	F34
H	F36
I	F38
J	F40
K	F42
L	F44
M	F46
N	F48
O	F50
P	F52
Q	F54
R	F56
S	F58
T	F60
U	F62
V	F64
W	F66
X	F68
Y	F70
Z	F72

J154

A	G37
B	G39
C	G41
D	G43
E	G45
F	G47
G	G49
H	G51
I	G53
J	G55
K	G57
L	G59
M	G61
N	G63
O	G65
P	G67
Q	G69
R	G71
S	G73
T	G75
U	G77
V	G79
W	G81
X	G83
Y	G85
Z	G87

J155

A	H42
B	H44
C	H46
D	H48
E	H50
F	H52
G	H54
H	H56
I	H58
J	H60
K	H62
L	H64
M	H66
N	H68
O	H70
P	H72
Q	H74
R	H76
S	H78
T	H80
U	H82
V	H84
W	H86
X	H88
Y	H90
Z	H92



F - J152-P-H54-H59-K59-O41-044-046-048-050-052-054-056-058-060-062-064-066-068-070-072-074-076-078-080-082-084-086-088-090-092-094-096-098-100-102-104-106-108-110-112-114-116-118-120-122-124-126-128-130-132-134-136-138-140-142-144-146-148-150-152-154-156-158-160-162-164-166-168-170-172-174-176-178-180-182-184-186-188-190-192-194-196-198-200-202-204-206-208-210-212-214-216-218-220-222-224-226-228-230-232-234-236-238-240-242-244-246-248-250-252-254-256-258-260-262-264-266-268-270-272-274-276-278-280-282-284-286-288-290-292-294-296-298-300-302-304-306-308-310-312-314-316-318-320-322-324-326-328-330-332-334-336-338-340-342-344-346-348-350-352-354-356-358-360-362-364-366-368-370-372-374-376-378-380-382-384-386-388-390-392-394-396-398-400-402-404-406-408-410-412-414-416-418-420-422-424-426-428-430-432-434-436-438-440-442-444-446-448-450-452-454-456-458-460-462-464-466-468-470-472-474-476-478-480-482-484-486-488-490-492-494-496-498-500-502-504-506-508-510-512-514-516-518-520-522-524-526-528-530-532-534-536-538-540-542-544-546-548-550-552-554-556-558-560-562-564-566-568-570-572-574-576-578-580-582-584-586-588-590-592-594-596-598-600-602-604-606-608-610-612-614-616-618-620-622-624-626-628-630-632-634-636-638-640-642-644-646-648-650-652-654-656-658-660-662-664-666-668-670-672-674-676-678-680-682-684-686-688-690-692-694-696-698-700-702-704-706-708-710-712-714-716-718-720-722-724-726-728-730-732-734-736-738-740-742-744-746-748-750-752-754-756-758-760-762-764-766-768-770-772-774-776-778-780-782-784-786-788-790-792-794-796-798-800-802-804-806-808-810-812-814-816-818-820-822-824-826-828-830-832-834-836-838-840-842-844-846-848-850-852-854-856-858-860-862-864-866-868-870-872-874-876-878-880-882-884-886-888-890-892-894-896-898-900-902-904-906-908-910-912-914-916-918-920-922-924-926-928-930-932-934-936-938-940-942-944-946-948-950-952-954-956-958-960-962-964-966-968-970-972-974-976-978-980-982-984-986-988-990-992-994-996-998-1000-1002-1004-1006-1008-1010-1012-1014-1016-1018-1020-1022-1024-1026-1028-1030-1032-1034-1036-1038-1040-1042-1044-1046-1048-1050-1052-1054-1056-1058-1060-1062-1064-1066-1068-1070-1072-1074-1076-1078-1080-1082-1084-1086-1088-1090-1092-1094-1096-1098-1100-1102-1104-1106-1108-1110-1112-1114-1116-1118-1120-1122-1124-1126-1128-1130-1132-1134-1136-1138-1140-1142-1144-1146-1148-1150-1152-1154-1156-1158-1160-1162-1164-1166-1168-1170-1172-1174-1176-1178-1180-1182-1184-1186-1188-1190-1192-1194-1196-1198-1200-1202-1204-1206-1208-1210-1212-1214-1216-1218-1220-1222-1224-1226-1228-1230-1232-1234-1236-1238-1240-1242-1244-1246-1248-1250-1252-1254-1256-1258-1260-1262-1264-1266-1268-1270-1272-1274-1276-1278-1280-1282-1284-1286-1288-1290-1292-1294-1296-1298-1300-1302-1304-1306-1308-1310-1312-1314-1316-1318-1320-1322-1324-1326-1328-1330-1332-1334-1336-1338-1340-1342-1344-1346-1348-1350-1352-1354-1356-1358-1360-1362-1364-1366-1368-1370-1372-1374-1376-1378-1380-1382-1384-1386-1388-1390-1392-1394-1396-1398-1400-1402-1404-1406-1408-1410-1412-1414-1416-1418-1420-1422-1424-1426-1428-1430-1432-1434-1436-1438-1440-1442-1444-1446-1448-1450-1452-1454-1456-1458-1460-1462-1464-1466-1468-1470-1472-1474-1476-1478-1480-1482-1484-1486-1488-1490-1492-1494-1496-1498-1500-1502-1504-1506-1508-1510-1512-1514-1516-1518-1520-1522-1524-1526-1528-1530-1532-1534-1536-1538-1540-1542-1544-1546-1548-1550-1552-1554-1556-1558-1560-1562-1564-1566-1568-1570-1572-1574-1576-1578-1580-1582-1584-1586-1588-1590-1592-1594-1596-1598-1600-1602-1604-1606-1608-1610-1612-1614-1616-1618-1620-1622-1624-1626-1628-1630-1632-1634-1636-1638-1640-1642-1644-1646-1648-1650-1652-1654-1656-1658-1660-1662-1664-1666-1668-1670-1672-1674-1676-1678-1680-1682-1684-1686-1688-1690-1692-1694-1696-1698-1700-1702-1704-1706-1708-1710-1712-1714-1716-1718-1720-1722-1724-1726-1728-1730-1732-1734-1736-1738-1740-1742-1744-1746-1748-1750-1752-1754-1756-1758-1760-1762-1764-1766-1768-1770-1772-1774-1776-1778-1780-1782-1784-1786-1788-1790-1792-1794-1796-1798-1800-1802-1804-1806-1808-1810-1812-1814-1816-1818-1820-1822-1824-1826-1828-1830-1832-1834-1836-1838-1840-1842-1844-1846-1848-1850-1852-1854-1856-1858-1860-1862-1864-1866-1868-1870-1872-1874-1876-1878-1880-1882-1884-1886-1888-1890-1892-1894-1896-1898-1900-1902-1904-1906-1908-1910-1912-1914-1916-1918-1920-1922-1924-1926-1928-1930-1932-1934-1936-1938-1940-1942-1944-1946-1948-1950-1952-1954-1956-1958-1960-1962-1964-1966-1968-1970-1972-1974-1976-1978-1980-1982-1984-1986-1988-1990-1992-1994-1996-1998-2000-2002-2004-2006-2008-2010-2012-2014-2016-2018-2020-2022-2024-2026-2028-2030-2032-2034-2036-2038-2040-2042-2044-2046-2048-2050-2052-2054-2056-2058-2060-2062-2064-2066-2068-2070-2072-2074-2076-2078-2080-2082-2084-2086-2088-2090-2092-2094-2096-2098-2100-2102-2104-2106-2108-2110-2112-2114-2116-2118-2120-2122-2124-2126-2128-2130-2132-2134-2136-2138-2140-2142-2144-2146-2148-2150-2152-2154-2156-2158-2160-2162-2164-2166-2168-2170-2172-2174-2176-2178-2180-2182-2184-2186-2188-2190-2192-2194-2196-2198-2200-2202-2204-2206-2208-2210-2212-2214-2216-2218-2220-2222-2224-2226-2228-2230-2232-2234-2236-2238-2240-2242-2244-2246-2248-2250-2252-2254-2256-2258-2260-2262-2264-2266-2268-2270-2272-2274-2276-2278-2280-2282-2284-2286-2288-2290-2292-2294-2296-2298-2300-2302-2304-2306-2308-2310-2312-2314-2316-2318-2320-2322-2324-2326-2328-2330-2332-2334-2336-2338-2340-2342-2344-2346-2348-2350-2352-2354-2356-2358-2360-2362-2364-2366-2368-2370-2372-2374-2376-2378-2380-2382-2384-2386-2388-2390-2392-2394-2396-2398-2400-2402-2404-2406-2408-2410-2412-2414-2416-2418-2420-2422-2424-2426-2428-2430-2432-2434-2436-2438-2440-2442-2444-2446-2448-2450-2452-2454-2456-2458-2460-2462-2464-2466-2468-2470-2472-2474-2476-2478-2480-2482-2484-2486-2488-2490-2492-2494-2496-2498-2500-2502-2504-2506-2508-2510-2512-2514-2516-2518-2520-2522-2524-2526-2528-2530-2532-2534-2536-2538-2540-2542-2544-2546-2548-2550-2552-2554-2556-2558-2560-2562-2564-2566-2568-2570-2572-2574-2576-2578-2580-2582-2584-2586-2588-2590-2592-2594-2596-2598-2600-2602-2604-2606-2608-2610-2612-2614-2616-2618-2620-2622-2624-2626-2628-2630-2632-2634-2636-2638-2640-2642-2644-2646-2648-2650-2652-2654-2656-2658-2660-2662-2664-2666-2668-2670-2672-2674-2676-2678-2680-2682-2684-2686-2688-2690-2692-2694-2696-2698-2700-2702-2704-2706-2708-2710-2712-2714-2716-2718-2720-2722-2724-2726-2728-2730-2732-2734-2736-2738-2740-2742-2744-2746-2748-2750-2752-2754-2756-2758-2760-2762-2764-2766-2768-2770-2772-2774-2776-2778-2780-2782-2784-2786-2788-2790-2792-2794-2796-2798-2800-2802-2804-2806-2808-2810-2812-2814-2816-2818-2820-2822-2824-2826-2828-2830-2832-2834-2836-2838-2840-2842-2844-2846-2848-2850-2852-2854-2856-2858-2860-2862-2864-2866-2868-2870-2872-2874-2876-2878-2880-2882-2884-2886-2888-2890-2892-2894-2896-2898-2900-2902-2904-2906-2908-2910-2912-2914-2916-2918-2920-2922-2924-2926-2928-2930-2932-2934-2936-2938-2940-2942-2944-2946-2948-2950-2952-2954-2956-2958-2960-2962-2964-2966-2968-2970-2972-2974-2976-2978-2980-2982-2984-2986-2988-2990-2992-2994-2996-2998-3000-3002-3004-3006-3008-3010-3012-3014-3016-3018-3020-3022-3024-3026-3028-3030-3032-3034-3036-3038-3040-3042-3044-3046-3048-3050-3052-3054-3056-3058-3060-3062-3064-3066-3068-3070-3072-3074-3076-3078-3080-3082-3084-3086-3088-3090-3092-3094-3096-3098-3100-3102-3104-3106-3108-3110-3112-3114-3116-3118-3120-3122-3124-3126-3128-3130-3132-3134-3136-3138-3140-3142-3144-3146-3148-3150-3152-3154-3156-3158-3160-3162-3164-3166-3168-3170-3172-3174-3176-3178-3180-3182-3184-3186-3188-3190-3192-3194-3196-3198-3200-3202-3204-3206-3208-3210-3212-3214-3216-3218-3220-3222-3224-3226-3228-3230-3232-3234-3236-3238-3240-3242-3244-3246-3248-3250-3252-3254-3256-3258-3260-3262-3264-3266-3268-3270-3272-3274-3276-3278-3280-3282-3284-3286-3288-3290-3292-3294-3296-3298-3300-3302-3304-3306-3308-3310-3312-3314-3316-3318-3320-3322-3324-3326-3328-3330-3332-3334-3336-3338-3340-3342-3344-3346-3348-3350-3352-3354-3356-3358-3360-3362-3364-3366-3368-3370-3372-3374-3376-3378-3380-3382-3384-3386-3388-3390-3392-3394-3396-3398-3400-3402-3404-3406-3408-3410-3412-3414-3416-3418-3420-3422-3424-3426-3428-3430-3432-3434-3436-3438-3440-3442-3444-3446-3448-3450-3452-3454-3456-3458-3460-3462-3464-3466-3468-3470-3472-3474-3476-3478-3480-3482-3484-3486-3488-3490-3492-3494-3496-3498-3500-3502-3504-3506-3508-3510-3512-3514-3516-3518-3520-3522-3524-3526-3528-3530-3532-3534-3536-3538-3540-3542-3544-3546-3548-3550-3552-3554-3556-3558-3560-3562-3564-3566-3568-3570-3572-3574-3576-3578-3580-3582-3584-3586-3588-3590-3592-3594-3596-3598-3600-3602-3604-3606-3608-3610-3612-3614-3616-3618-3620-3622-3624-3626-3628-3630-3632-3634-3636-3638-3640-3642-3644-3646-3648-3650-3652-3654-3656-3658-3660-3662-3664-3666-3668-3670-3672-3674-3676-3678-3680-3682-3684-3686-3688-3690-3692-3694-3696-3698-3700-3702-3704-3706-3708-3710-3712-3714-3716-3718-3720-3722-3724-3726-3728-3730-3732-3734-3736-3738-3740-3742-3744-3746-3748-3750-3752-3754-3756-3758-3760-3762-3764-3766-3768-3770-3772-3774-3776-3778-3780-3782-3784-3786-3788-3790-3792-3794-3796-3798-3800-3802-3804-3806-3808-3810-3812-3814-3816-3818-3820-3822-3824-3826-3828-3830-3832-3834-3836-3838-3840-3842-3844-3846-3848-3850-3852-3854-3856-3858-3860-3862-3864-3866-3868-3870-3872-3874-3876-3878-3880-3882-3884-3886-3888-3890-3892-3894-3896-3898-3900-3902-3904-3906-3908-3910-3912-3914-3916-3918-3920-3922-3924-3926-3928-3930-3932-3934-3936-3938-3940-3942-3944-3946-3948-3950-3952-3954-3956-3958-3960-3962-3964-3966-3968-3970-3972-3974-3976-3978-3980-3982-3984-3986-3988-3990-3992-3994-3996-3998-4000-4002-4004-4006-4008-4010-4012-4014-4016-4018-4020-4022-4024-4026-4028-4030-4032-4034-4036-4038-4040-4042-4044-4046-4048-4050-4052-4054-4056-4058-4060-4062-4064-4066-4068-4070-4072-4074-4076-4078-4080-4082-4084-4086-4088-4090-4092-4094-4096-40